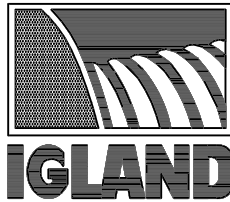


IGLAND 5002 Penton TL and 5002 Penton Top Parts Catalogue



Serial No.: 5002201 →

GENERAL INFO:

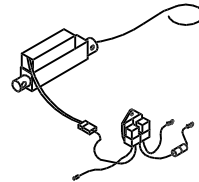
This Parts Catalogue consists of 24 numbered pages.

This Catalogue: P/N 390352

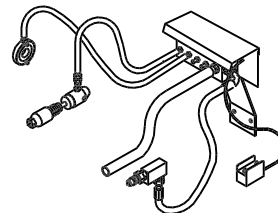
N/A: Not Available

© IGLAND AS

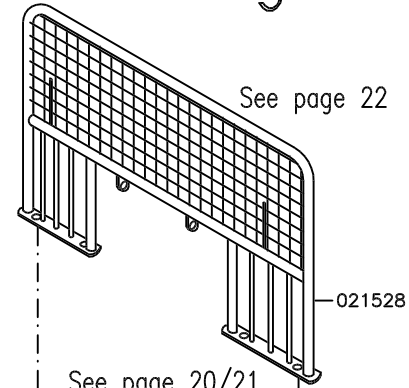
- Gjengivelse av tekst og tegninger uten tillatelse forbudt.
- Reproduction of text or illustrations without permission is prohibited.
- Eine Wiedergabe von Texten und Zeichnungen ohne unsere Genehmigung ist nicht gestattet.
- Interdiction de toute reproduction de textes ou d'illustrations sans autorisation préalable.



If fitted
See page 14

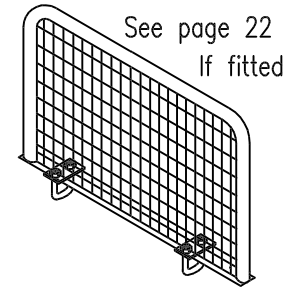


See page 7



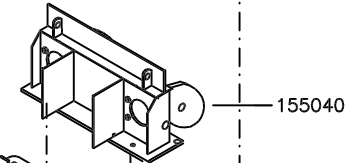
See page 22

021528

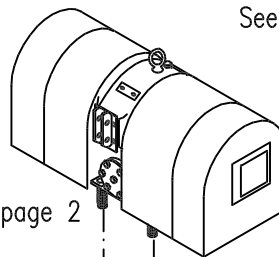


See page 22
If fitted

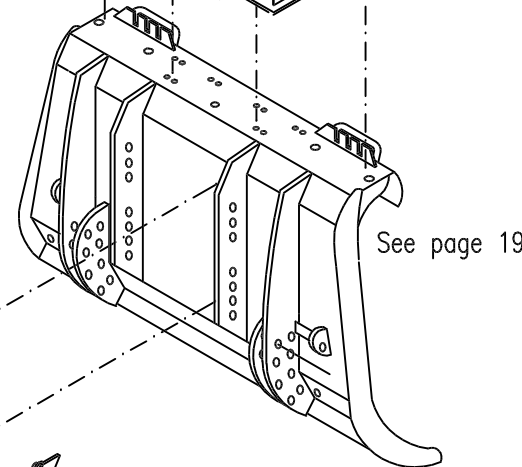
See page 20/21



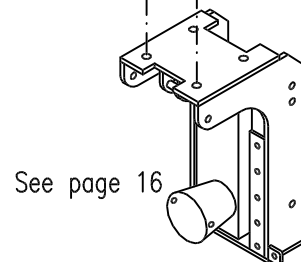
155040



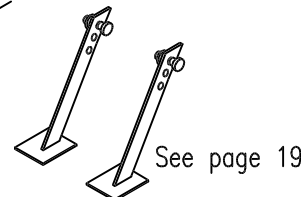
See page 2



See page 19



See page 16



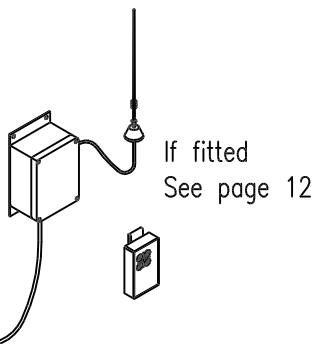
See page 19



See page 13
If fitted

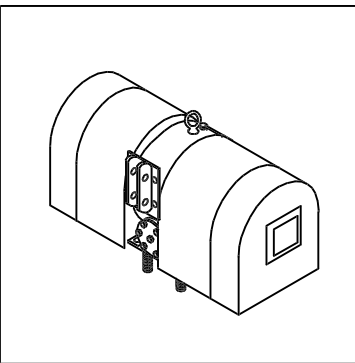


See page 24



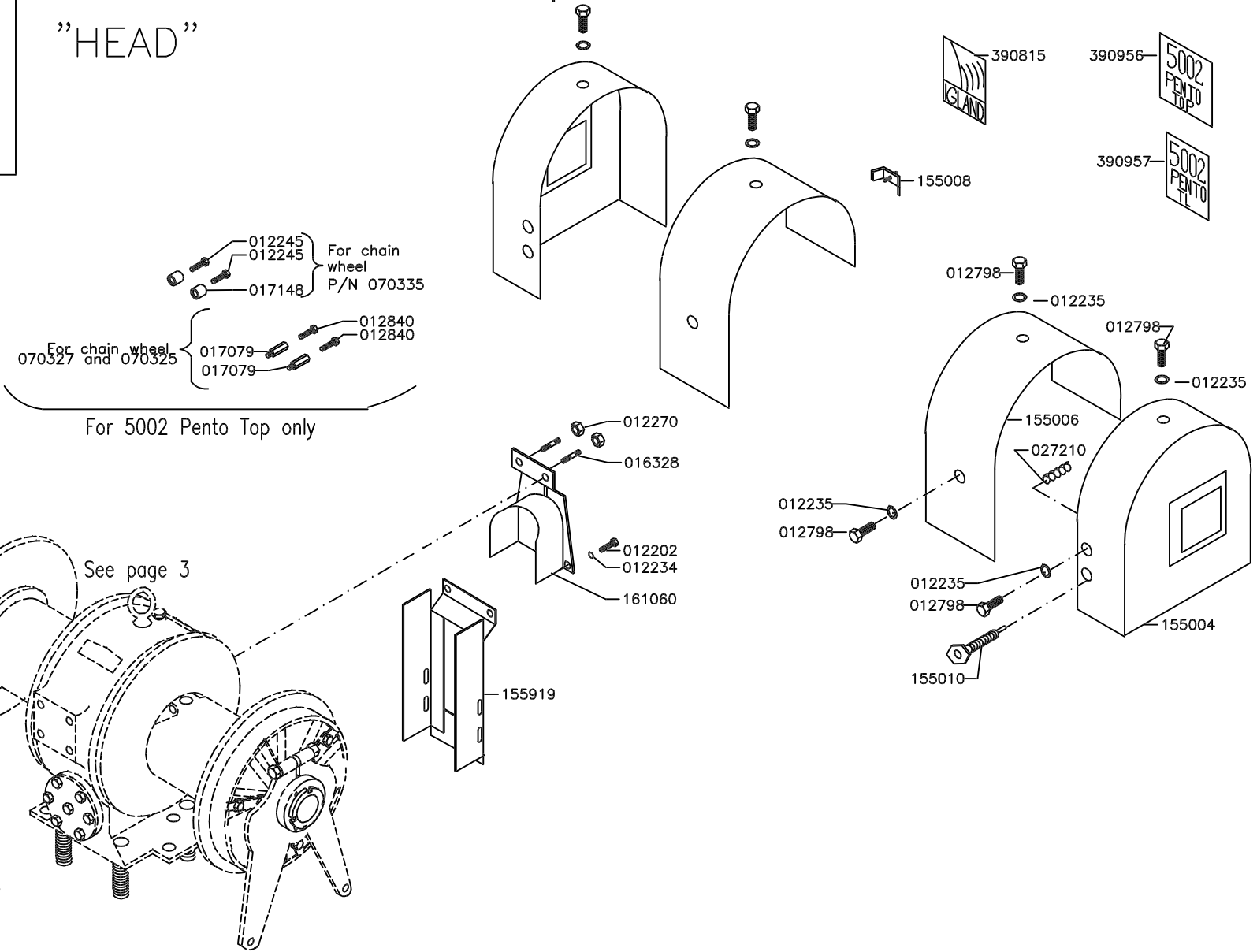
If fitted
See page 12

Approved:	Revised: T.K. 13.03.02
	Issued: AIS 03.09.98



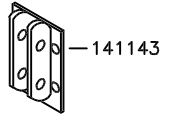
IGLAND 5002 Penton TL and 5002 Penton Top

"HEAD"

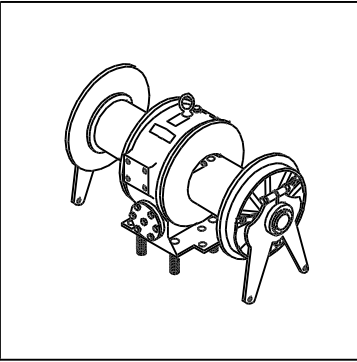


For 5002 Penton Top only

See page 3

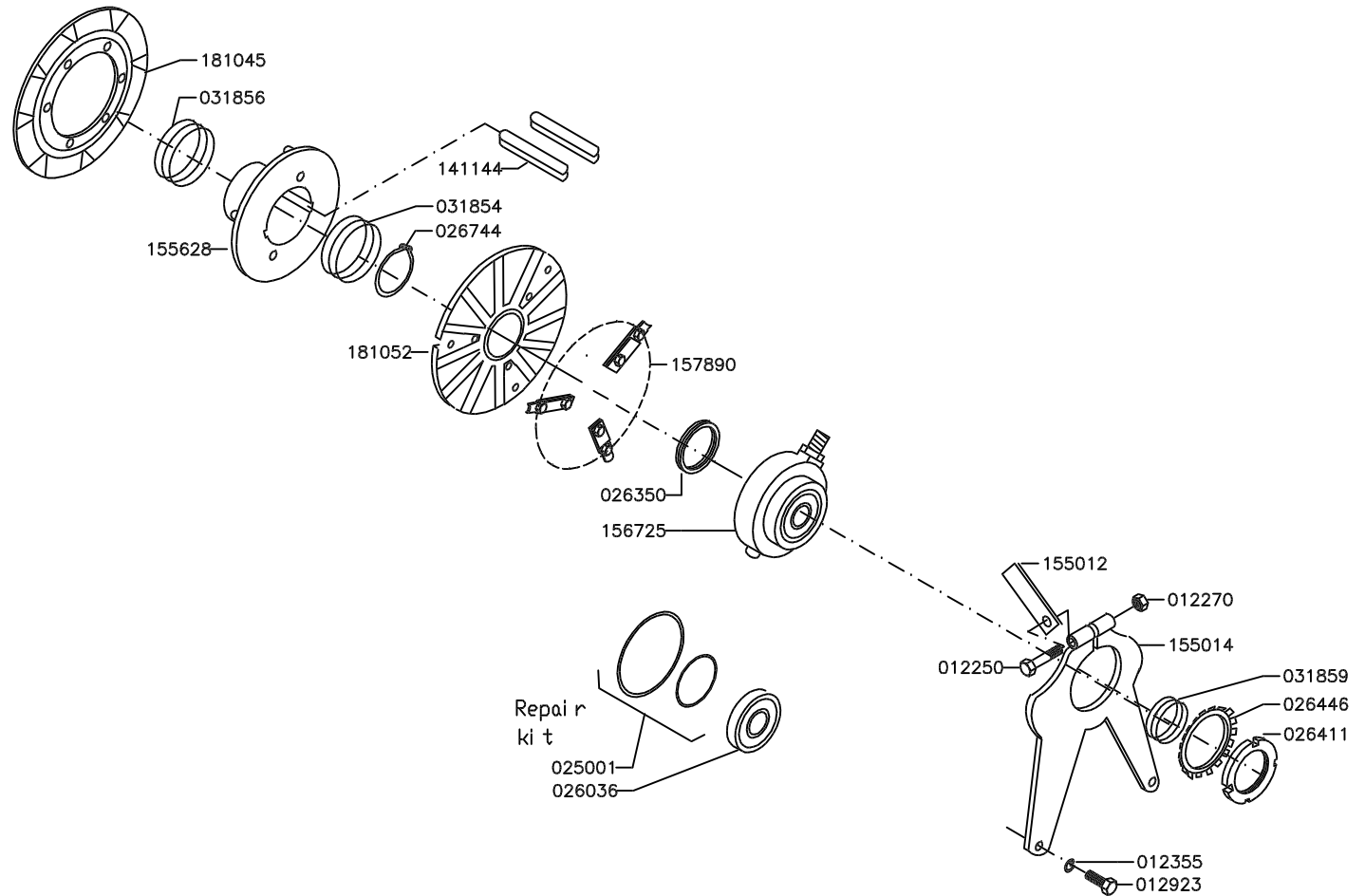


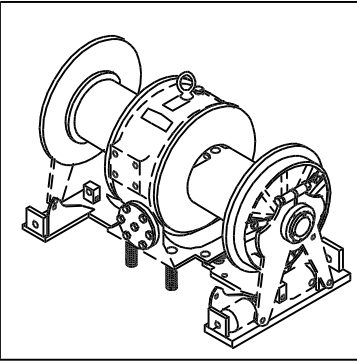
For 5002 Penton Top only



IGLAND 5002 Pento TL 5002 Pento Top

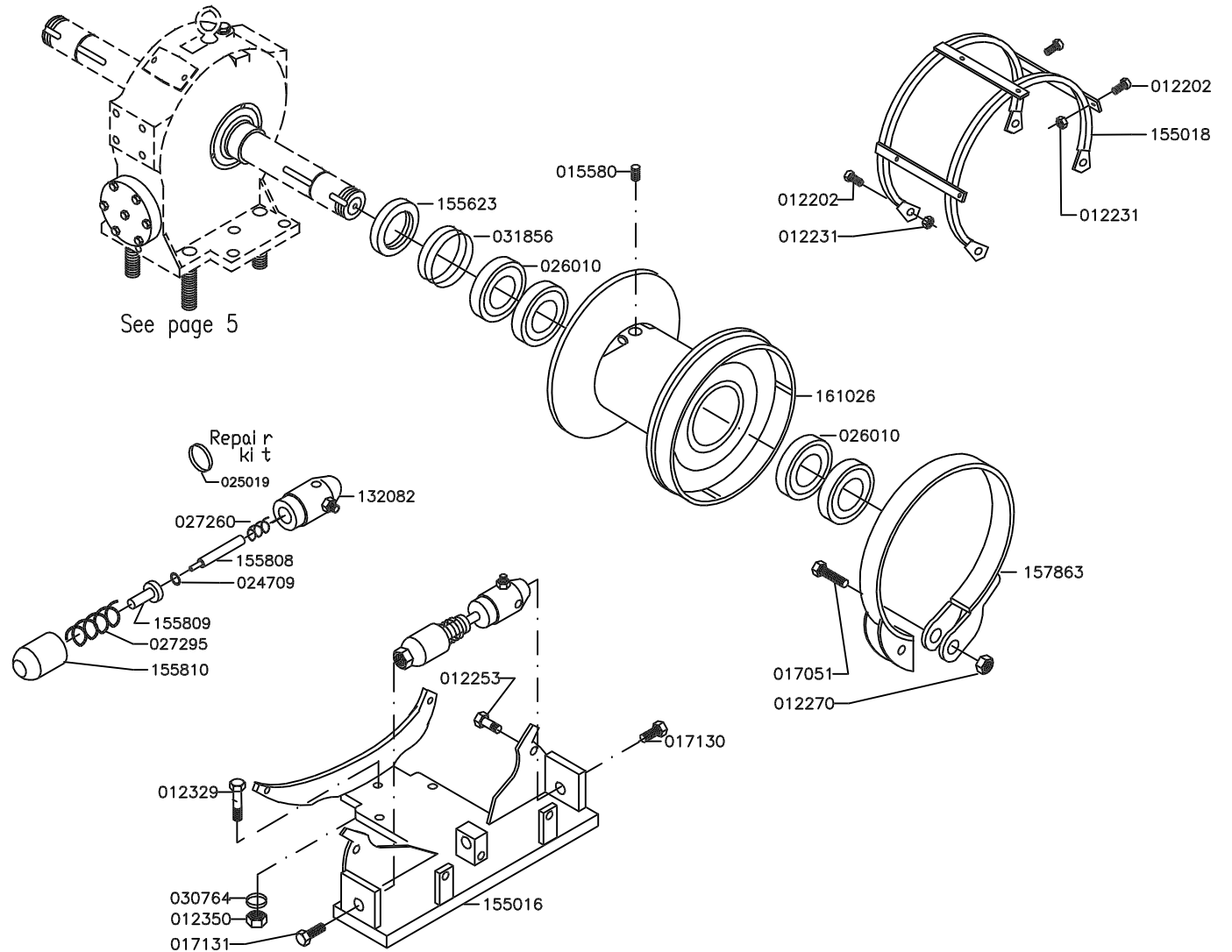
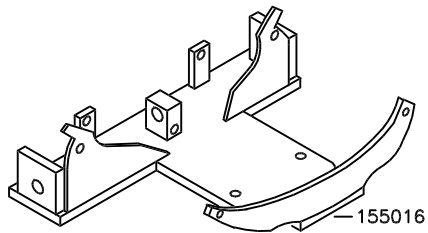
”HEAD”

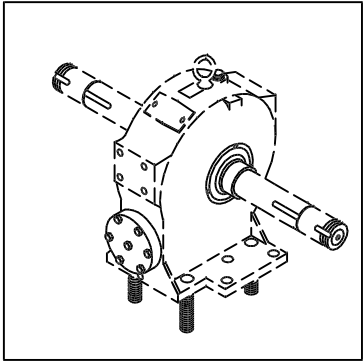




IGLAND 5002 Pento TL and 5002 Pento Top

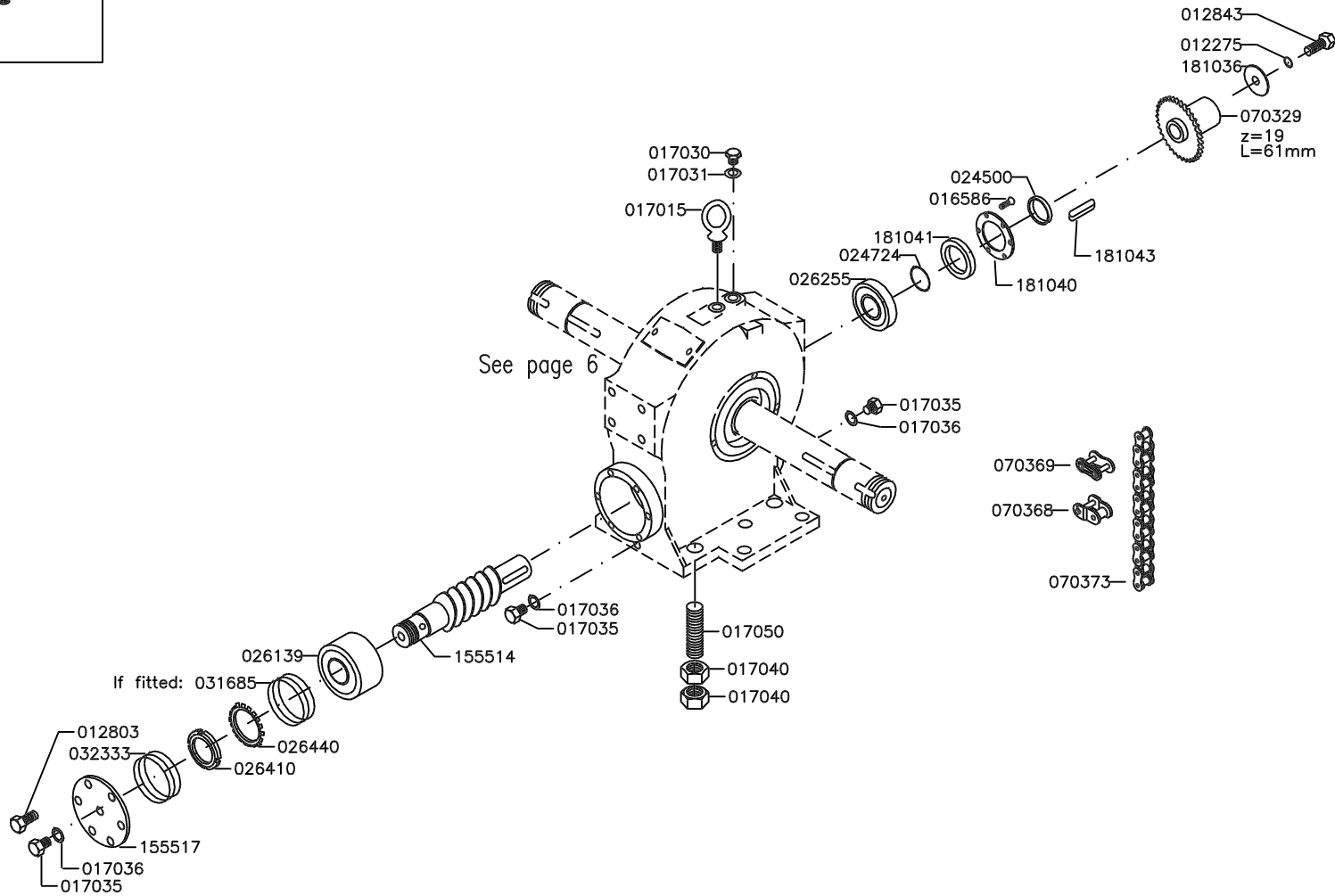
”HEAD”

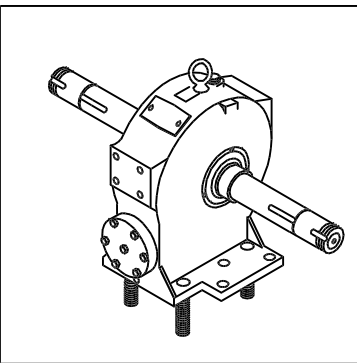




IGLAND 5002 Pento TL and 5002 Pento Top

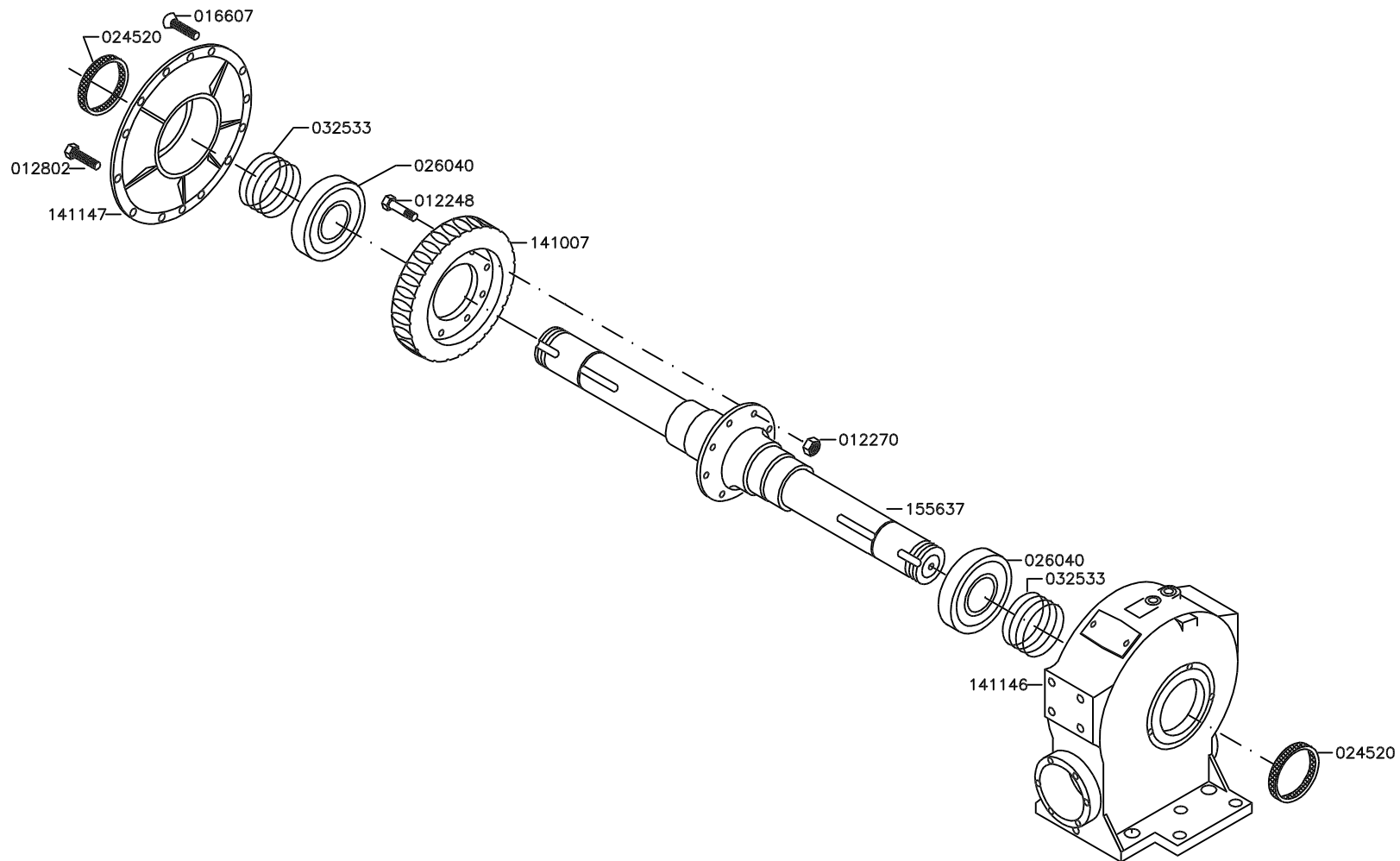
”HEAD”

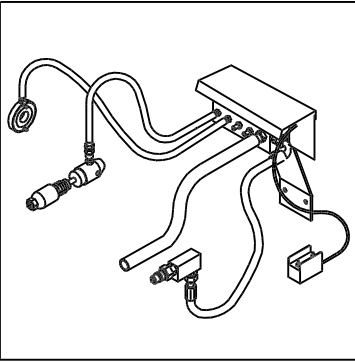




IGLAND 5002 Pento TL and 5002 Pento Top

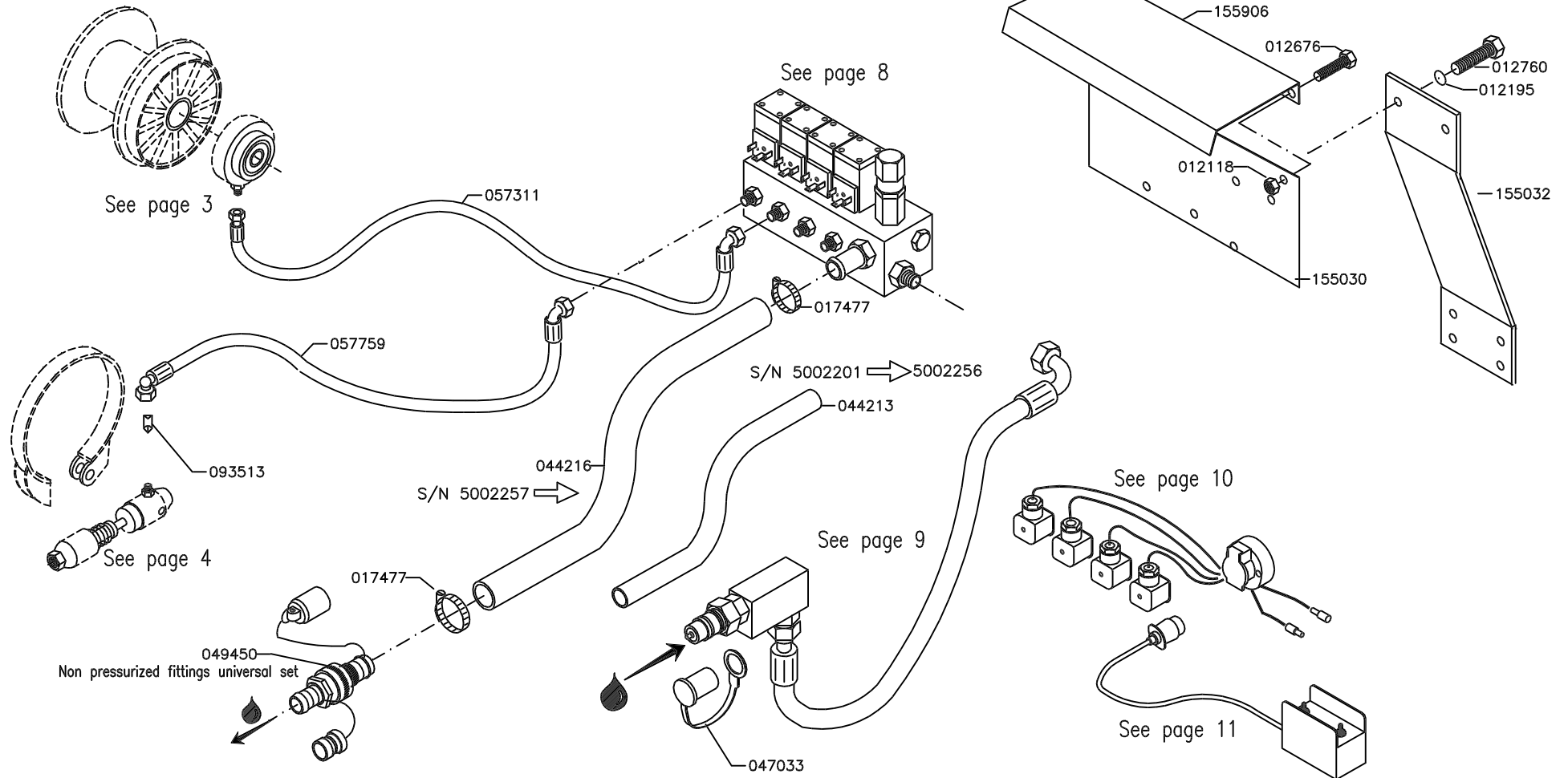
”HEAD”

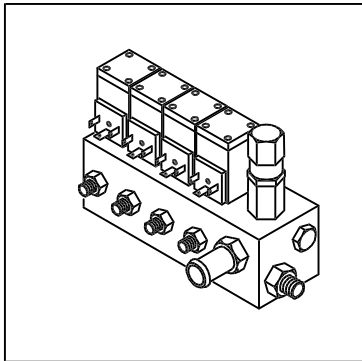




IGLAND 5002 Pento TL and 5002 Pento Top

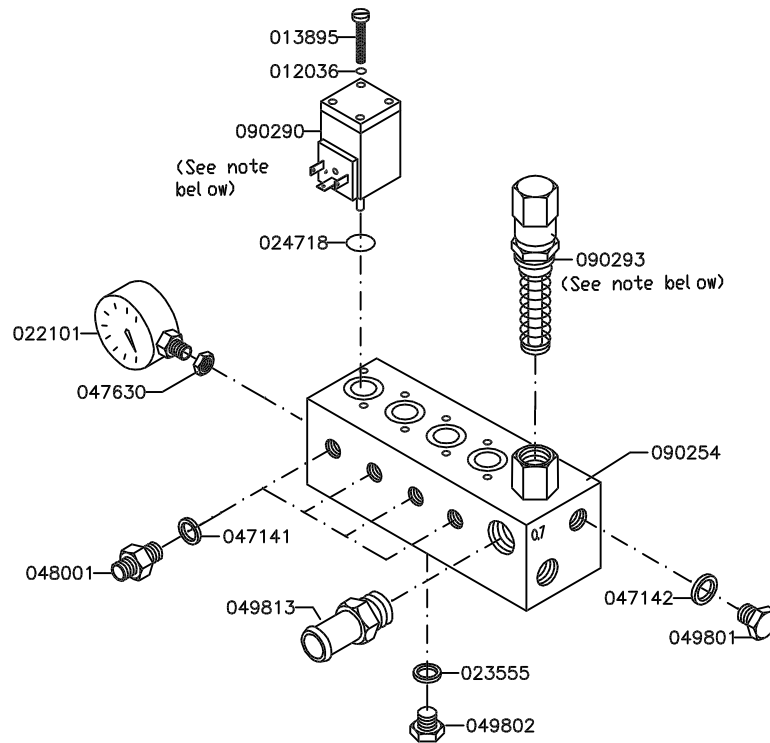
ELECTROHYDRAULIC LOW PRESSURE CONTROL "LH"



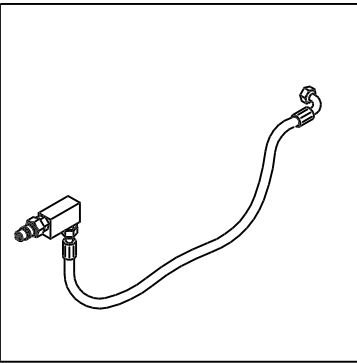


IGLAND 5002 Pento TL and 5002 Pento Top

ELECTROHYDRAULIC
LOW PRESSURE CONTROL
"LH"

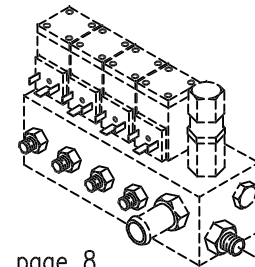


NOTE: Requires special skill on re-installation. If available, see Service Manual.

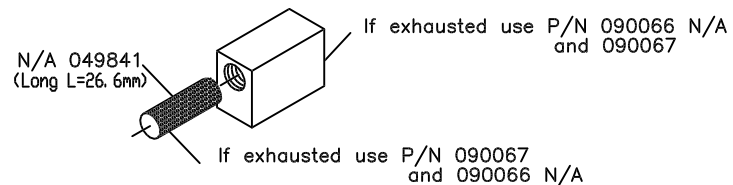
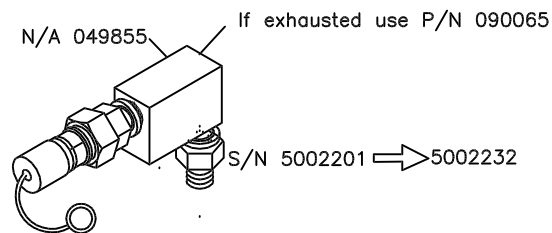
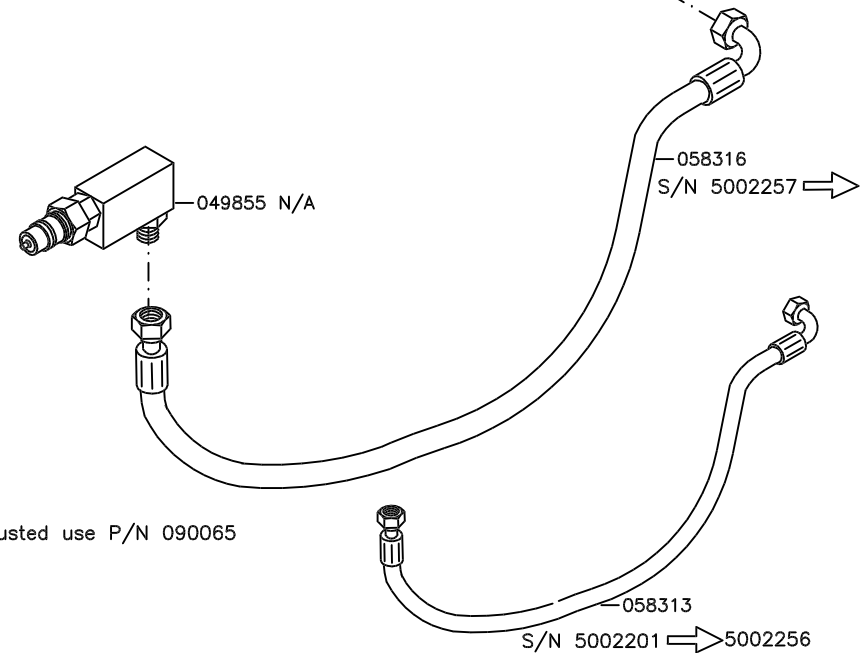
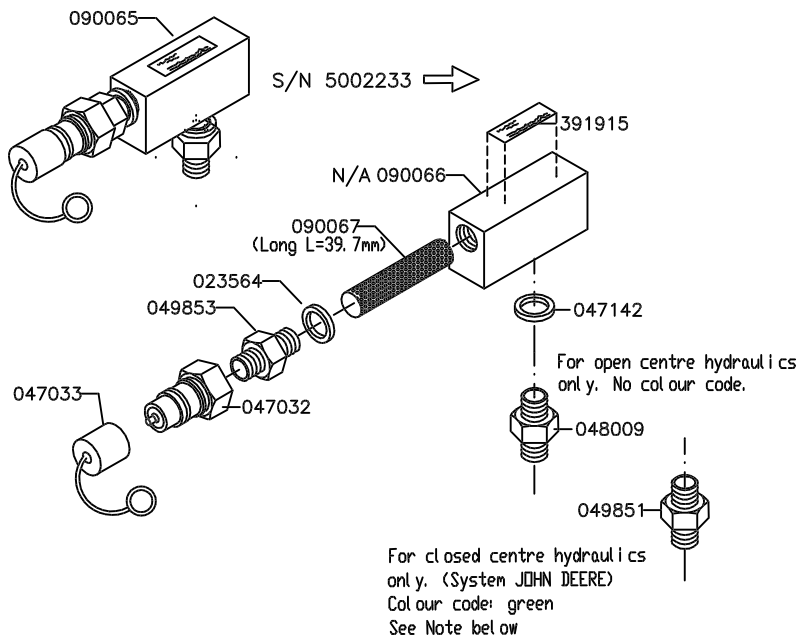


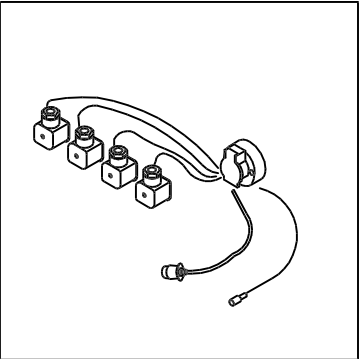
IGLAND 5002 Pento TL and 5002 Pento Top

ELECTROHYDRAULIC LOW PRESSURE CONTROL "LH"



See page 8



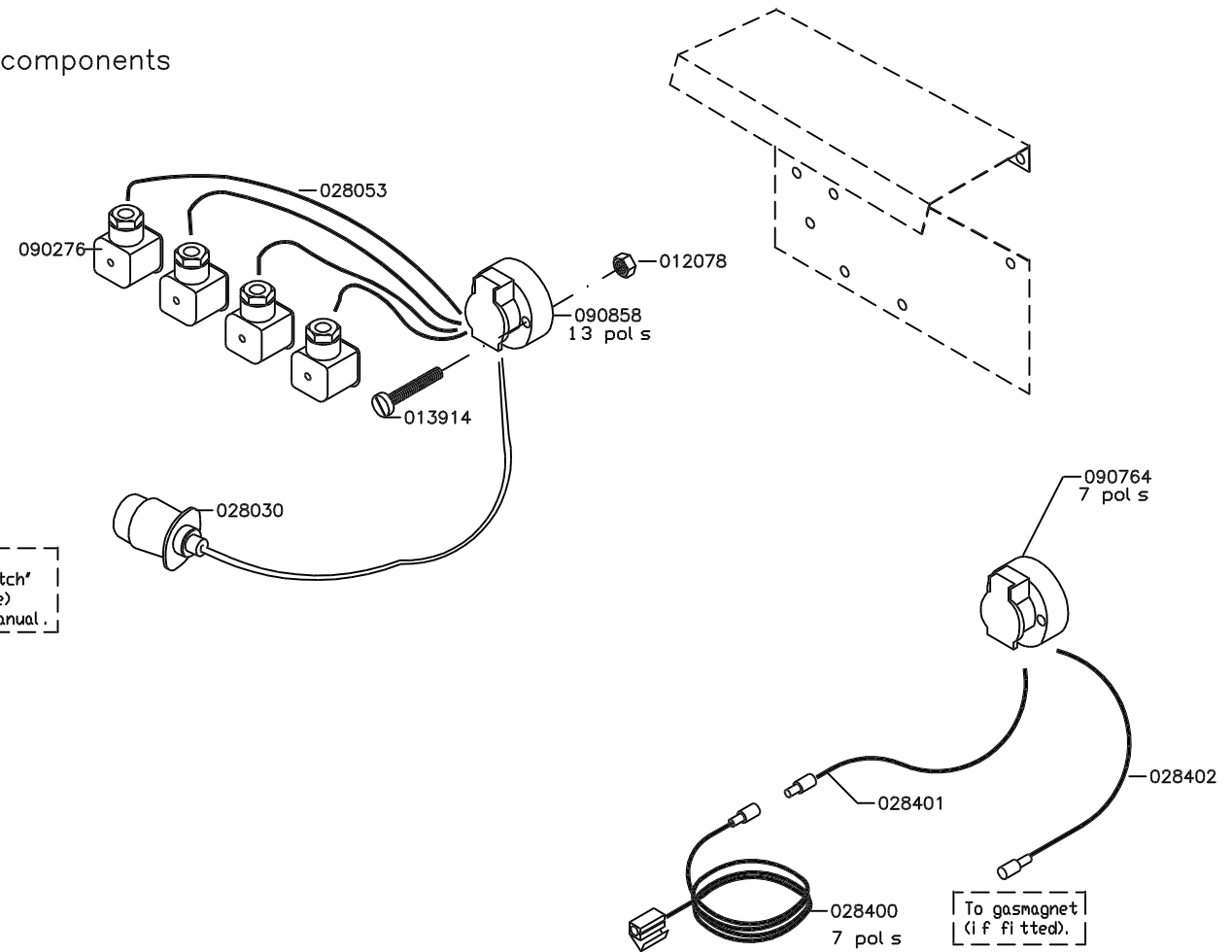


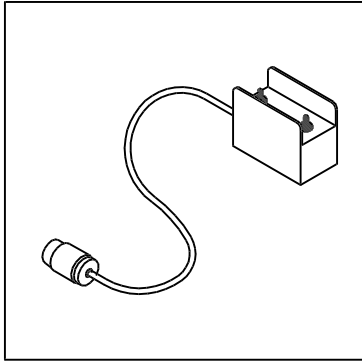
IGLAND 5002 Pento TL and 5002 Pento Top

ELECTROHYDRAULIC CONTROL

Electrical components

+12 V from
"Ignition switch"
(Use a 8A fuse)
See service manual.

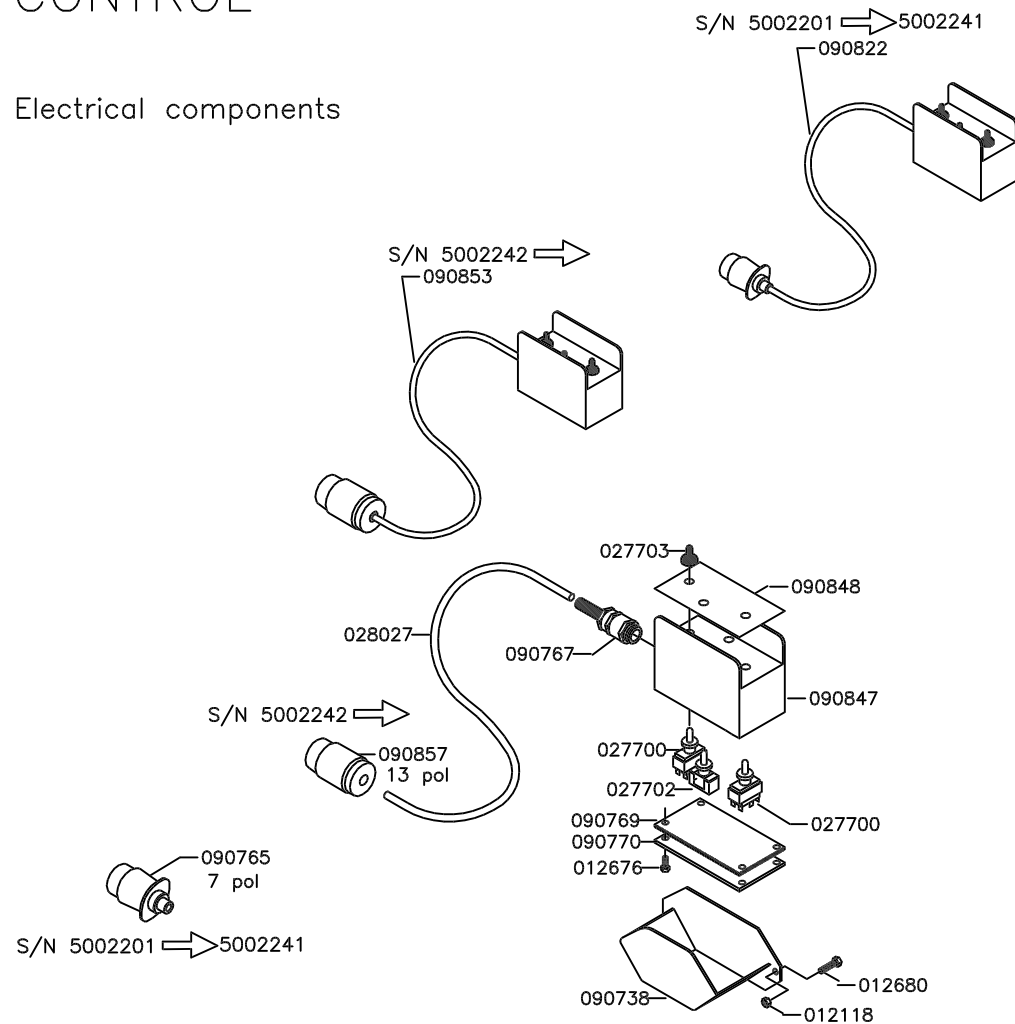


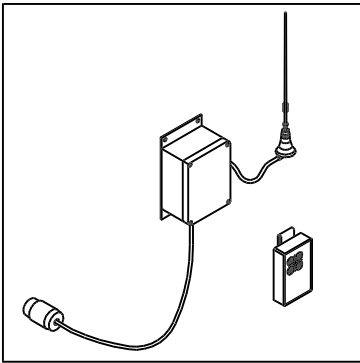


IGLAND 5002 Pento TL and 5002 Pento Top

ELECTROHYDRAULIC CONTROL

Electrical components



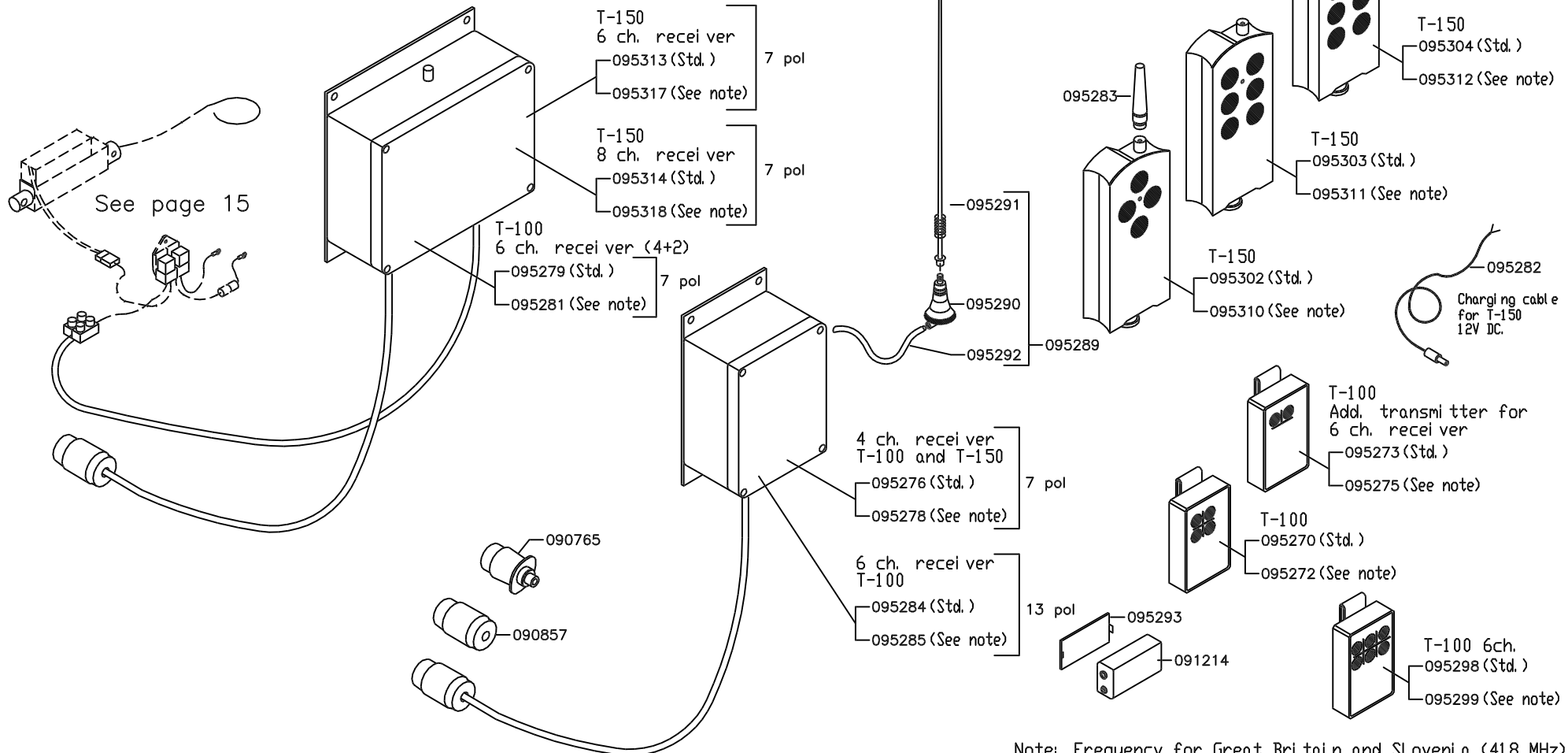


IGLAND 5002 Pento TL and 5002 Pento Top

TELERADIO

- RADIO REMOTE CONTROL KIT, T-100, 4 ch.: 091160 N/A
- RADIO REMOTE CONTROL KIT, T-100, 6 ch.: 091176
- RADIO REMOTE CONTROL KIT, T-150, 4 ch.: 091180 N/A
- RADIO REMOTE CONTROL KIT, T-150, 6 ch.: 091181 N/A
- RADIO REMOTE CONTROL KIT, T-150, 8 ch.: 091182 N/A

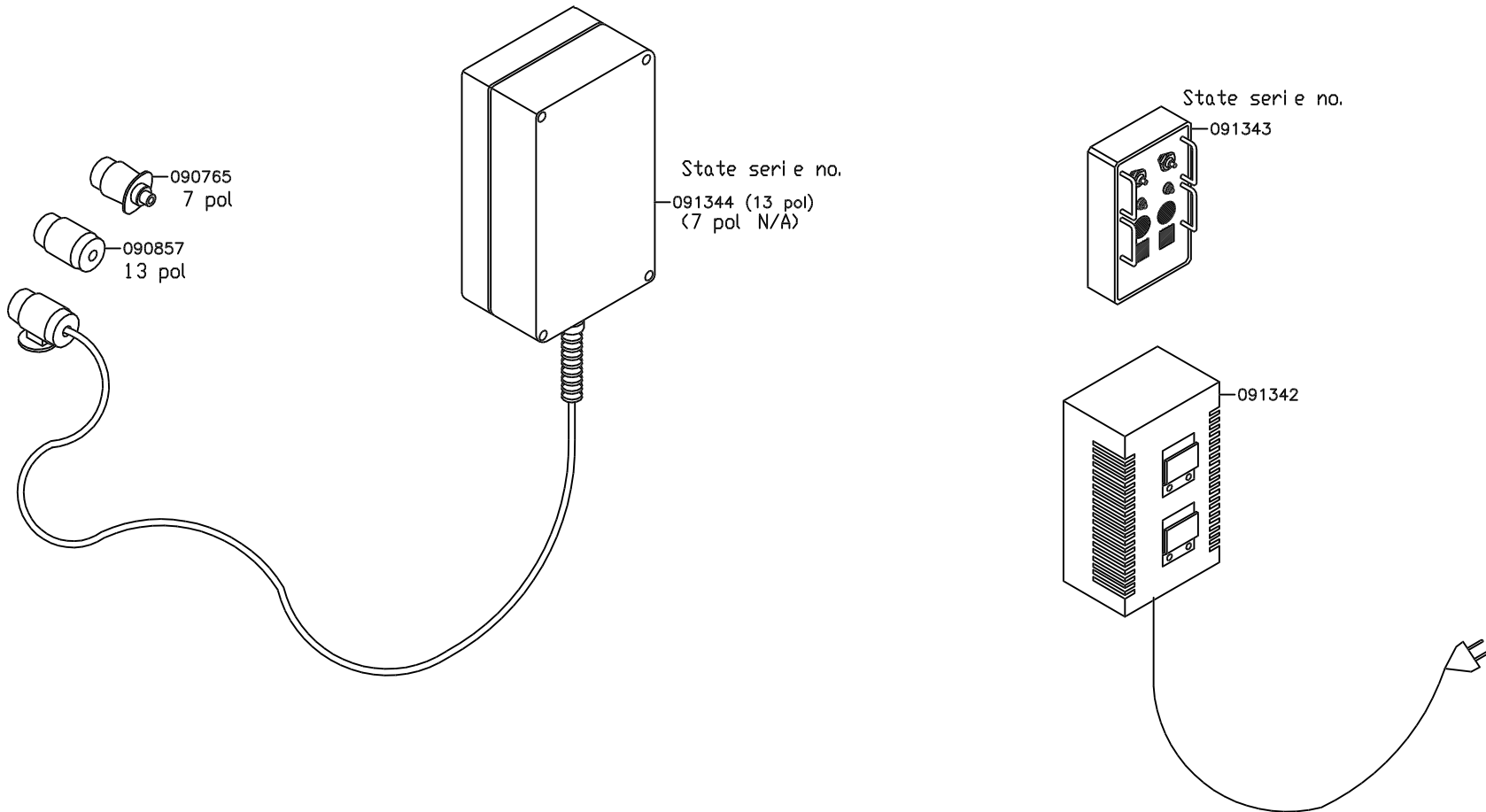
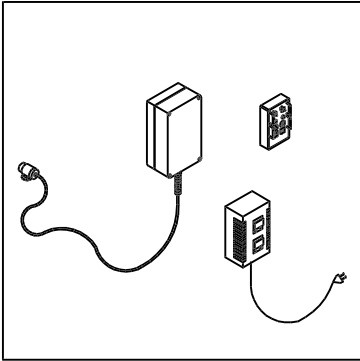
If fitted. Add. price for extra 2 ch. transmitter/6 ch. receiver (only for 091160) - 091161 N/A
 Add. price for frequency for Great Britain and Slovenia (418 MHz) - 091163

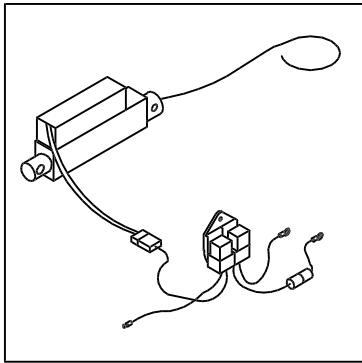


Note: Frequency for Great Britain and Slovenia (418 MHz)

IGLAND 5002 Pento TL and 5002 Pento Top

HM RADIO REMOTE CONTROL F202, 7 pol:	091195 N/A
HM RADIO REMOTE CONTROL F202, 13 pol:	091322
HM RADIO REMOTE CONTROL F202, 13 pol m/RPM actuator 091443 :	091326
HM RADIO REMOTE CONTROL F202, 13 pol m/RPM actuator 091441 :	091325 N/A
HM RADIO REMOTE CONTROL F202, 7 pol m/ RPM actuator 091141:	091192 N/A





IGLAND 5002 Pento TL and 5002 Pento Top

RPM ACTUATOR, compl.: 091442

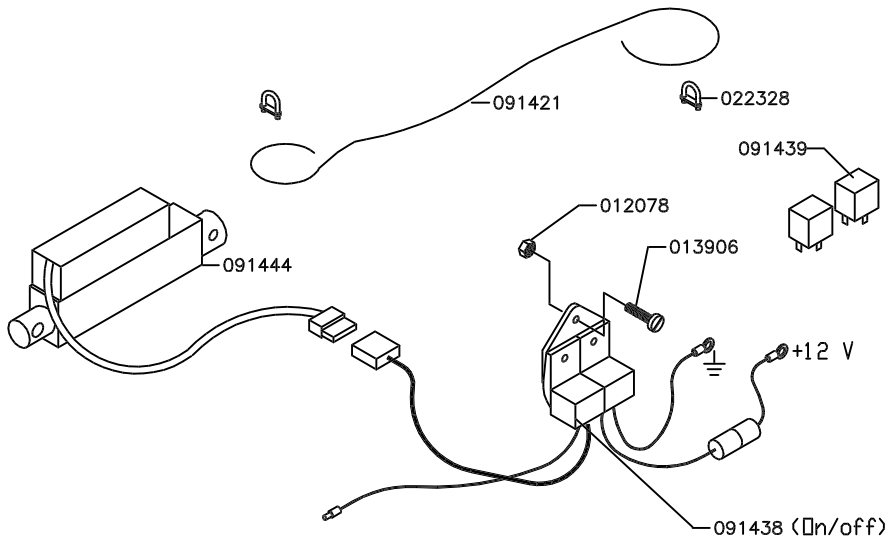
On/off function

RPM ACTUATOR, compl.: 091443

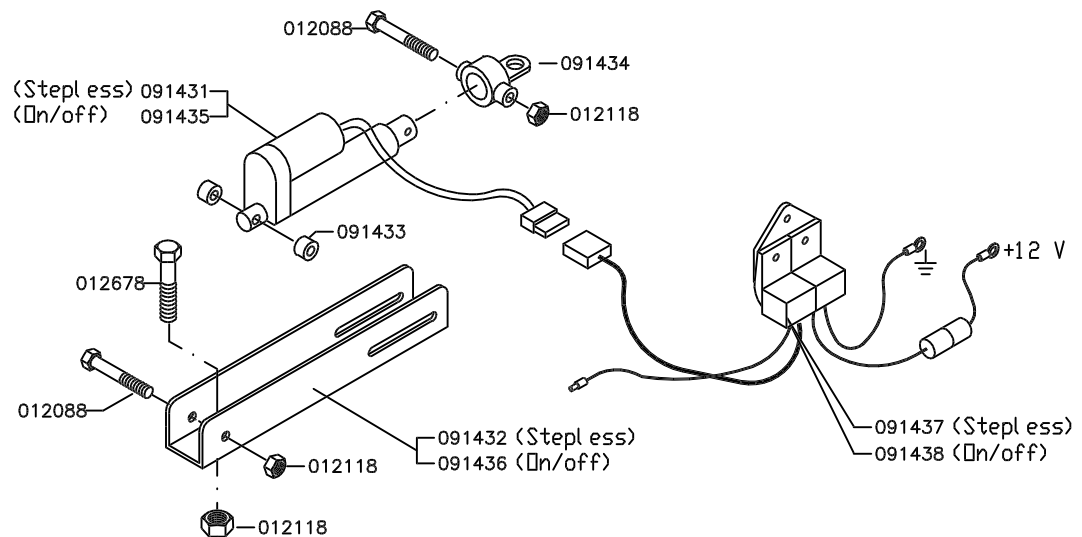
Stepless function.

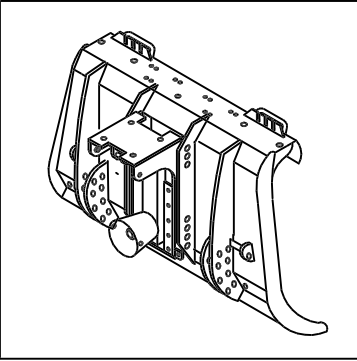
If fitted.

Later version



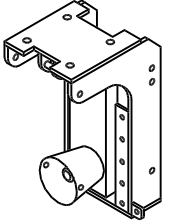
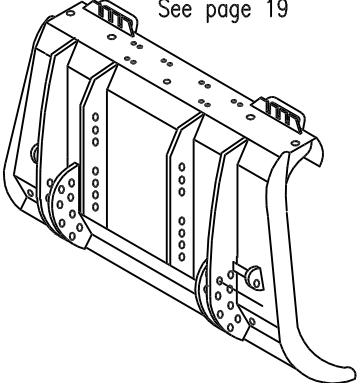
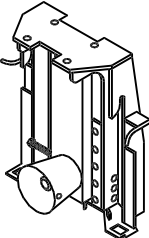
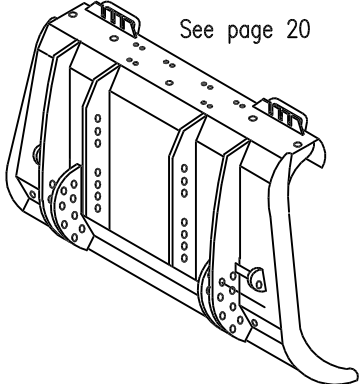
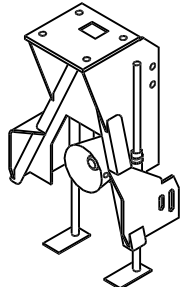
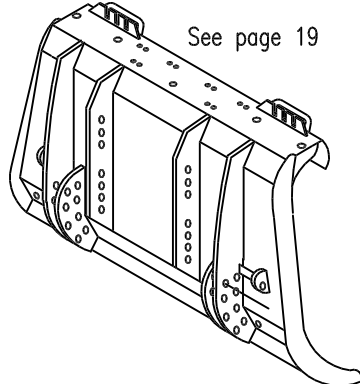
Early version

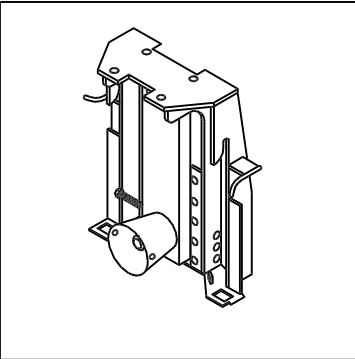




IGLAND 5002 Pento TL

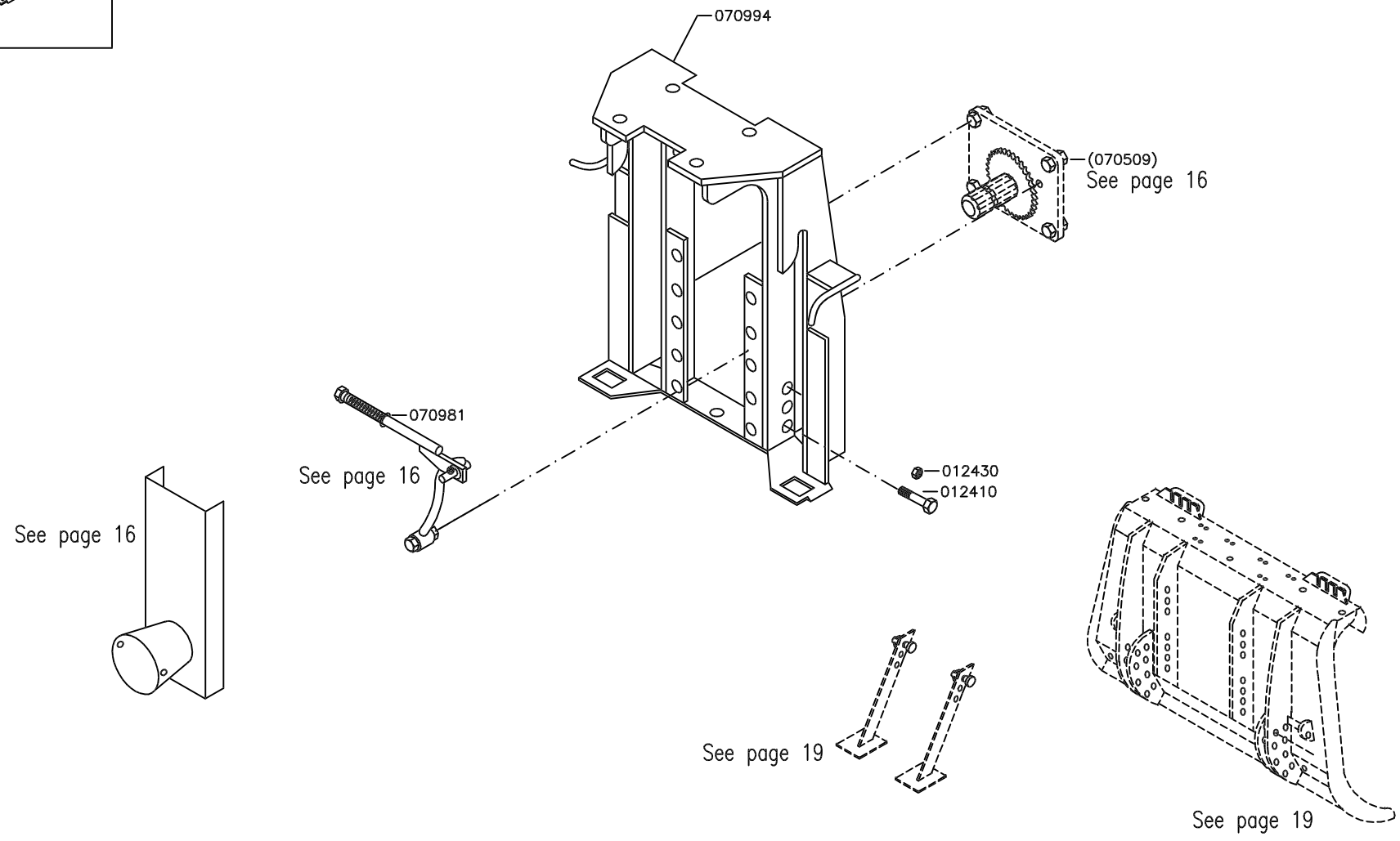
THREE POINT HITCH
C/W LOGGING SHIELD

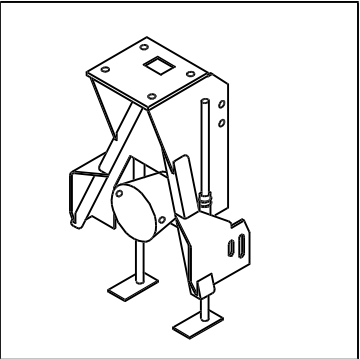
 <p>See page 16</p>  <p>See page 19</p> <p>Model "TL" c/w bolt-on standard winch stool</p>	 <p>See page 17</p>  <p>See page 20</p> <p>Model "TL" c/w bolt-on HMV winch stool</p>	 <p>See page 18</p>  <p>See page 19</p> <p>Model "TL" c/w bolt-on Triangel winch stool</p>
---	---	---



IGLAND 5002 Pento TL

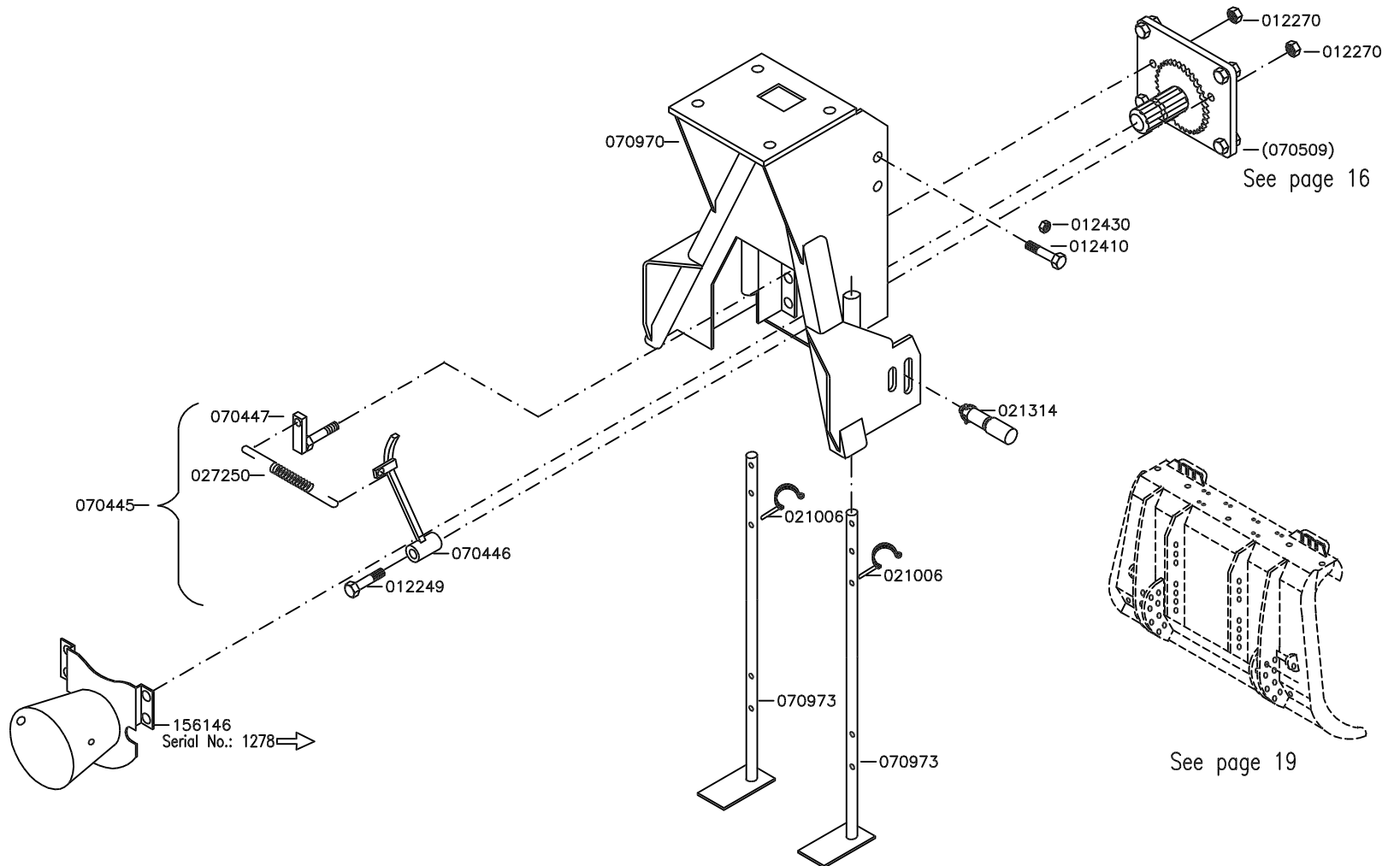
THREE POINT HITCH
Model TL, HMV winch stool (If fitted)

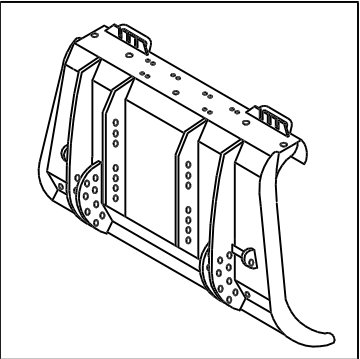




IGLAND 5002 Penton TL

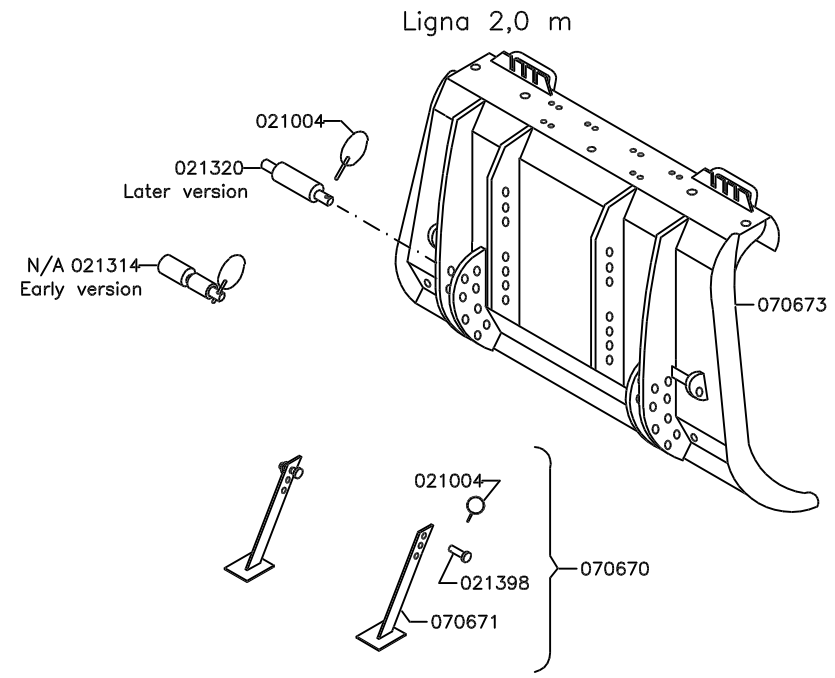
Triangel snap link: 070985 If fitted





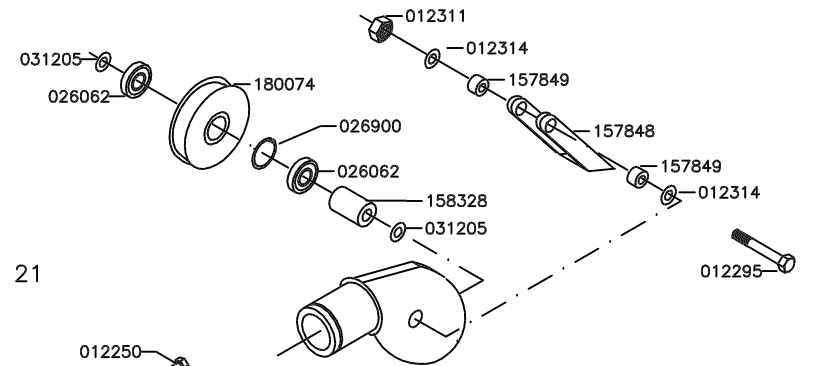
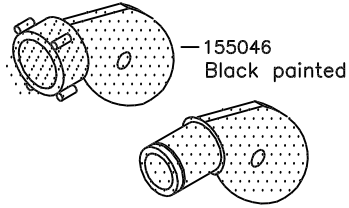
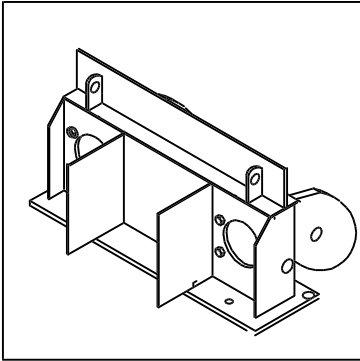
IGLAND 5002 Pento TL

BUTT PLATE

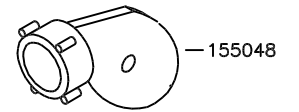
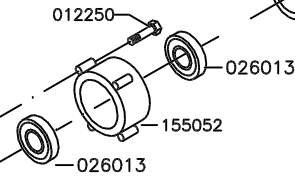
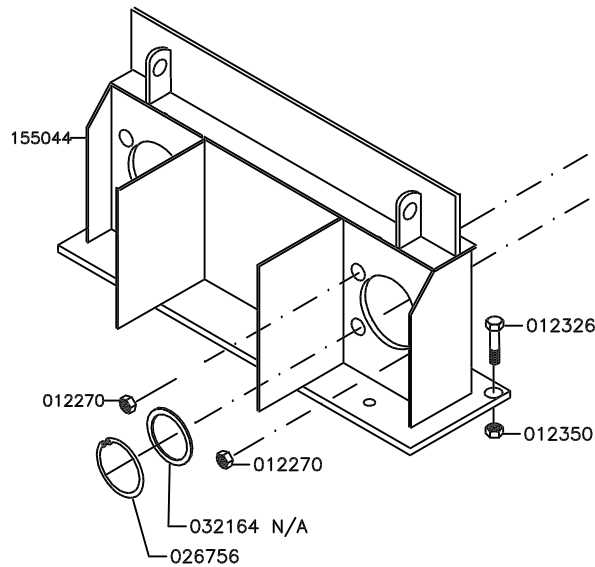


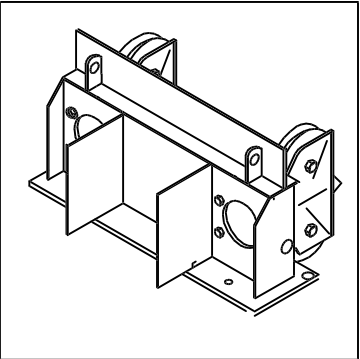
IGLAND 5002 Pento TL

FAIRLEADS



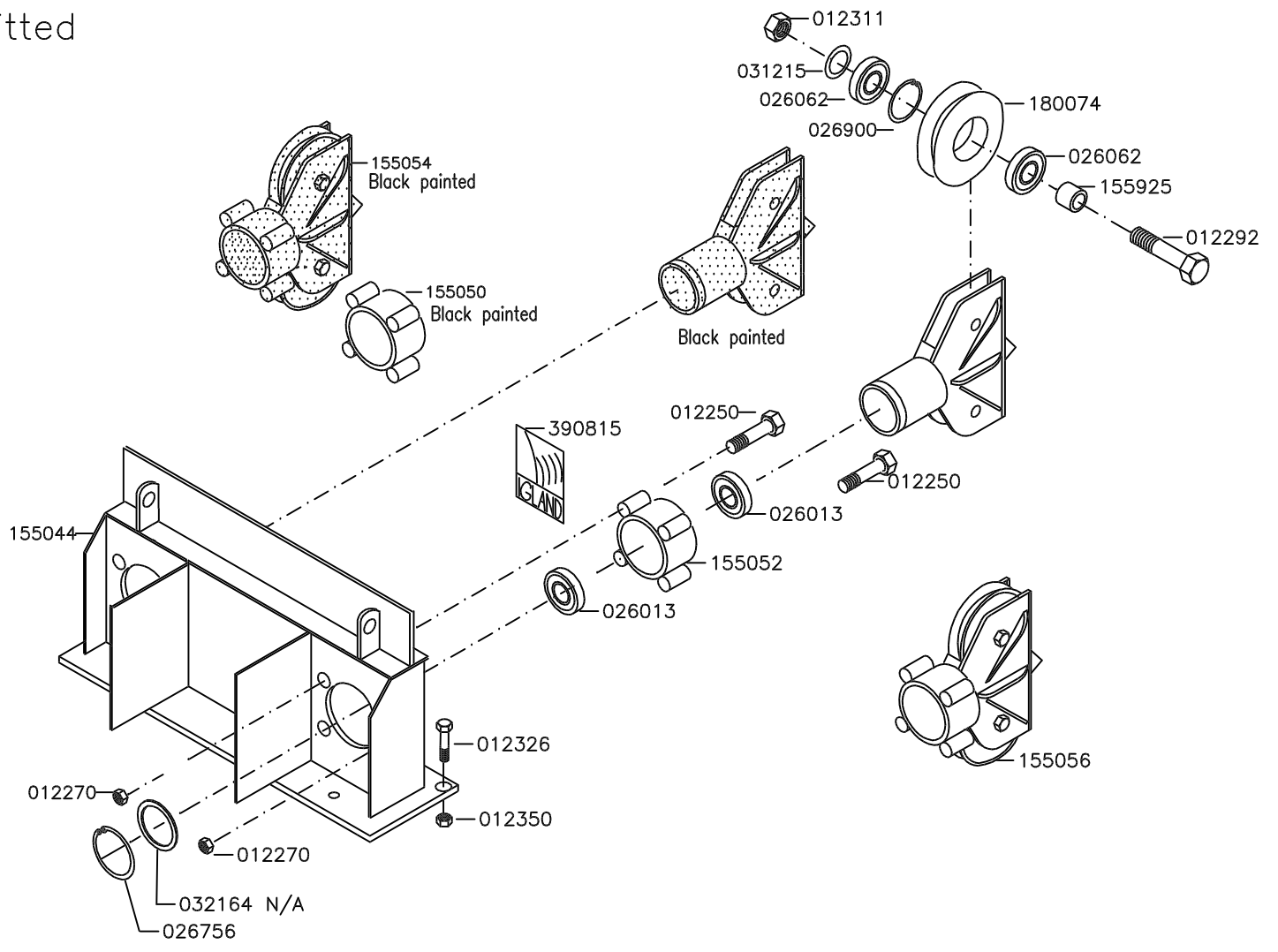
See page 21

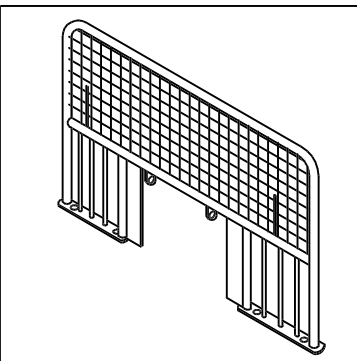




IGLAND 5002 Pento TL

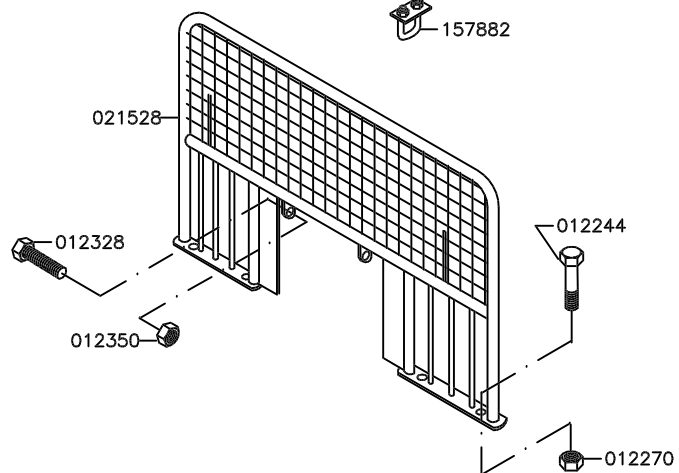
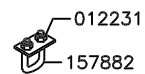
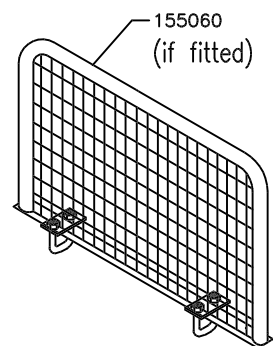
FAIRLEAD
If fitted

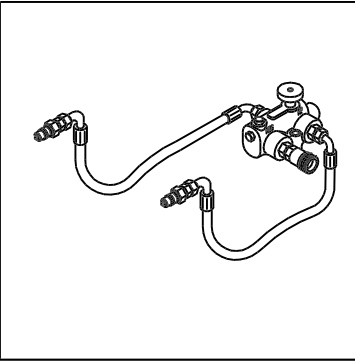




IGLAND 5002 Pento TL

PROTECTION SCREEN

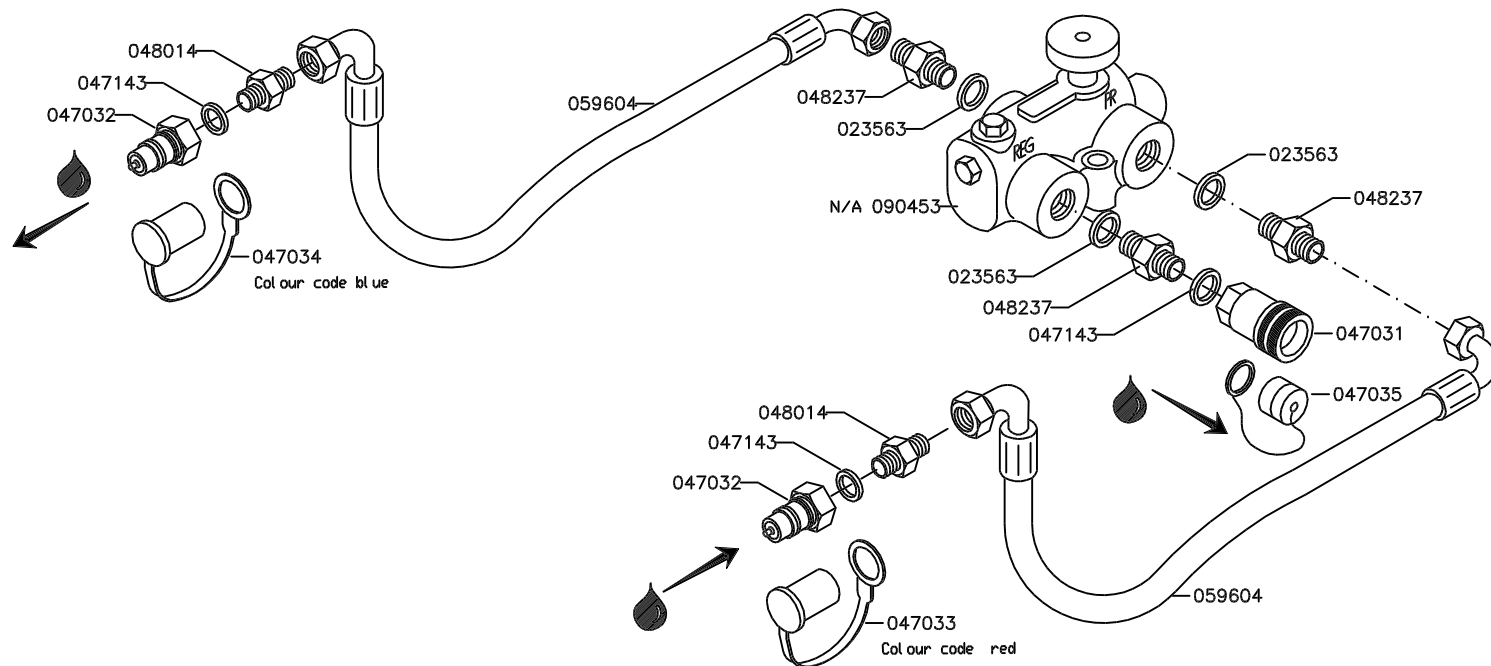




IGLAND 5002 Pento TL and 5002 Pento Top

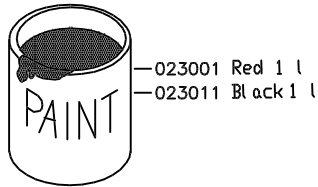
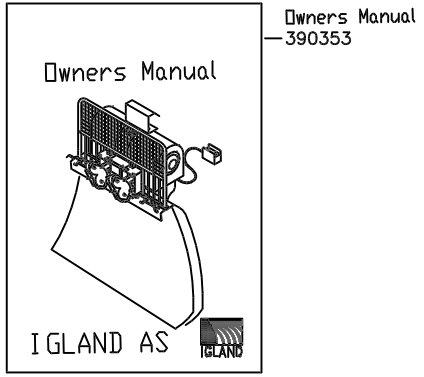
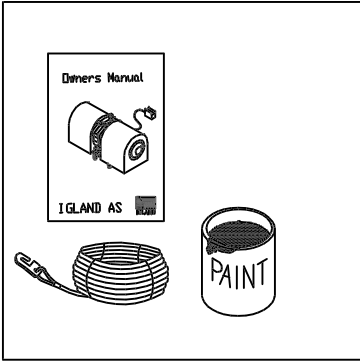
FLOW DIVIDER, compl. : 090378

If fitted

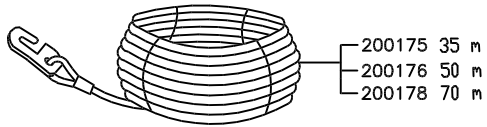


IGLAND 5002 Pento TL and 5002 Pento Top

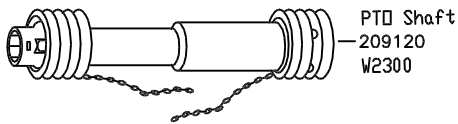
Miscellaneous



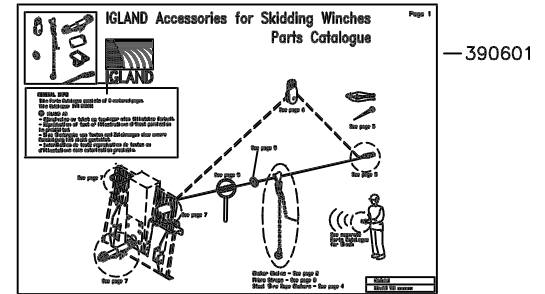
WIRE ROPE, 6x26WS+IWRC 180 kp, 11 mm



WIRE ROPE, according to ISO 4254-4



Parts Catalogue
Accessories for Skidding Winches



Parts Catalogue

