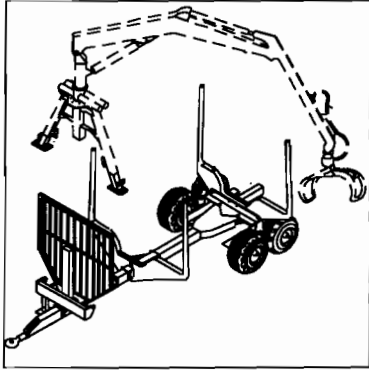
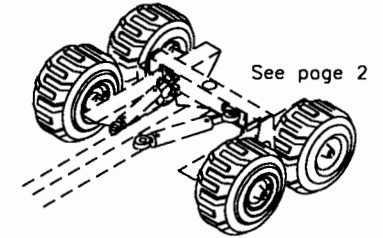
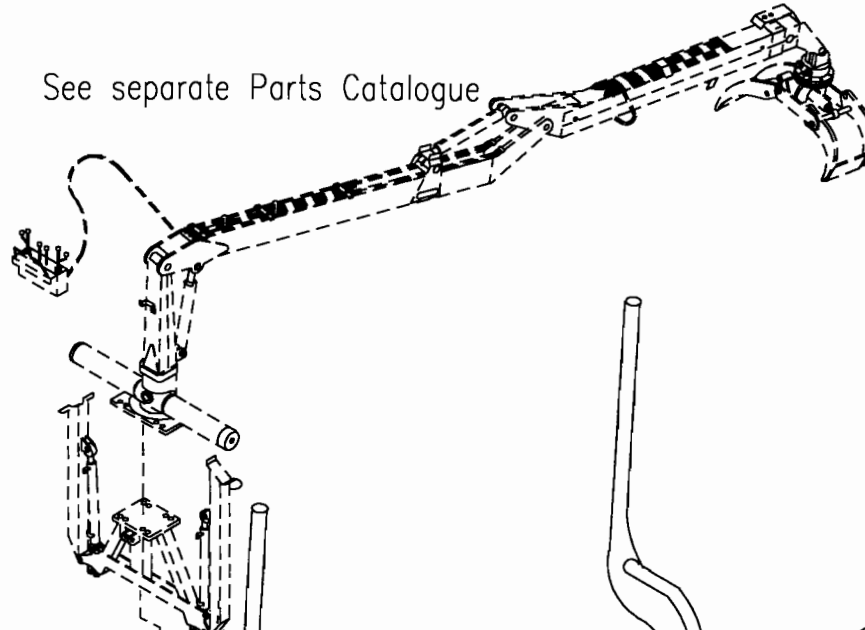


# IGLAND 480 Swingtrac (Timber Trailer) Parts Catalogue

Serial No.: 480001 →



See separate Parts Catalogue



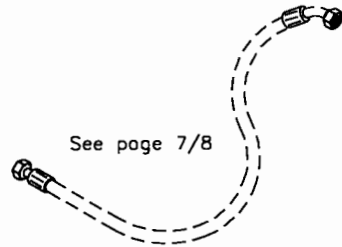
See page 2

### GENERAL INFO

This Catalogue: P/N 390515  
This Parts Catalogue consists of 16 numbered pages.

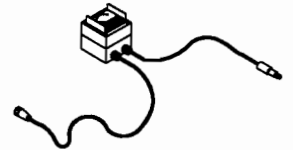
© IGLAND AS

- Gjengivelse av tekst og tegninger uten tillatelse forbudt.
- Reproduction of text or illustrations without permission is prohibited.
- Eine Wiedergabe von Texten und Zeichnungen ohne unsere Genehmigung ist nicht gestattet.
- Interdiction de toute reproduction de textes ou d'illustrations sans autorisation préalable.

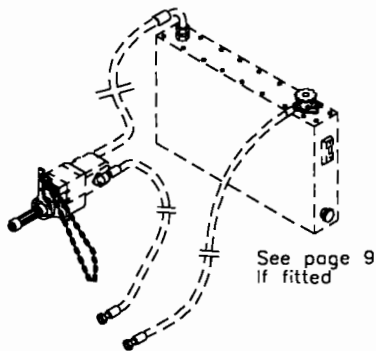


See page 7/8

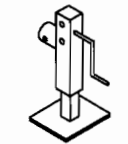
See page 5



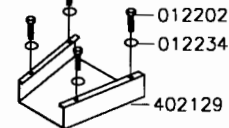
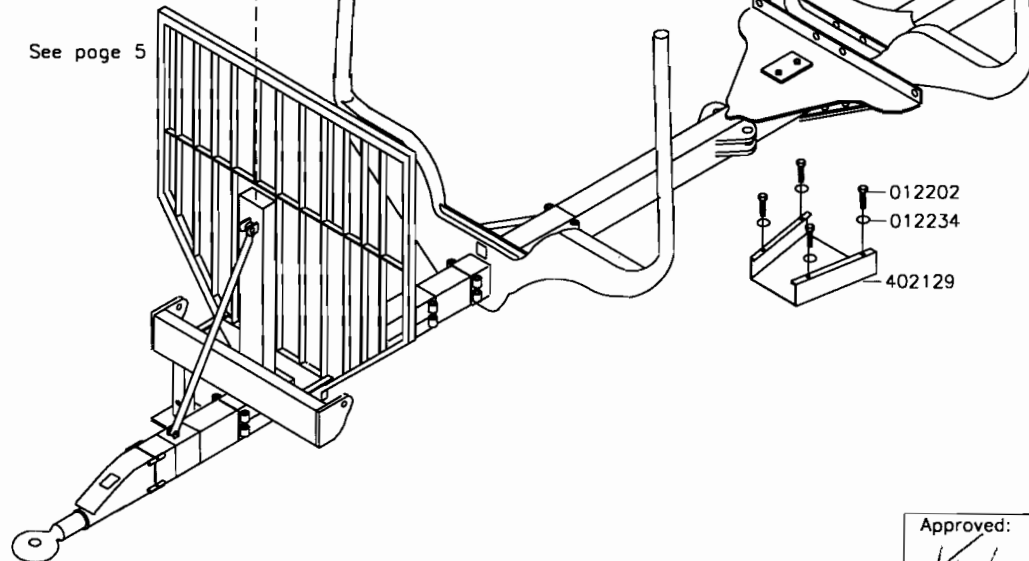
See page 10



See page 9  
if fitted



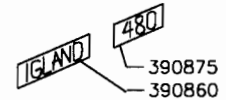
See page 5



012202

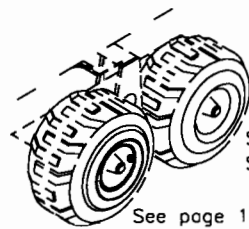
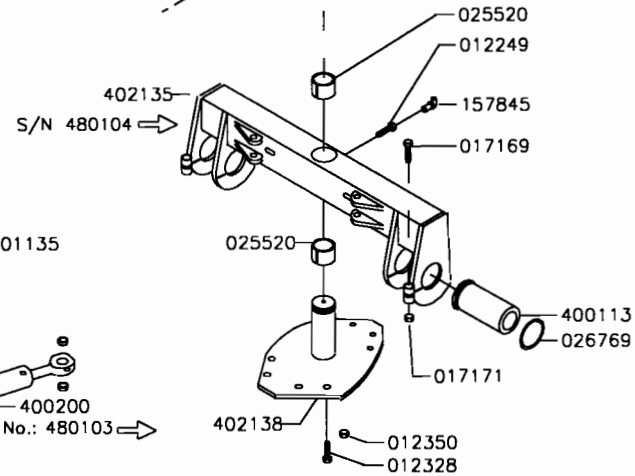
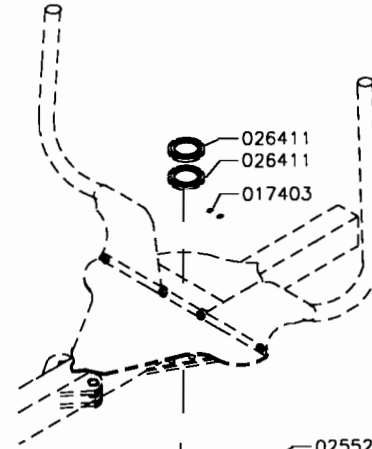
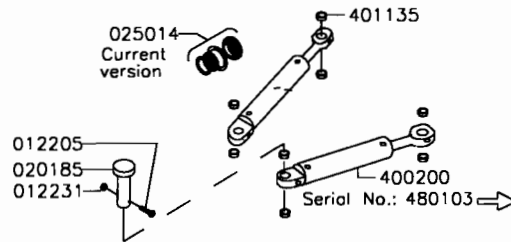
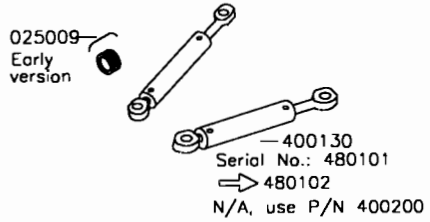
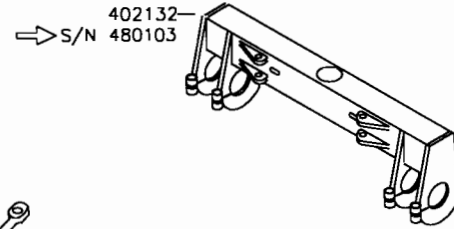
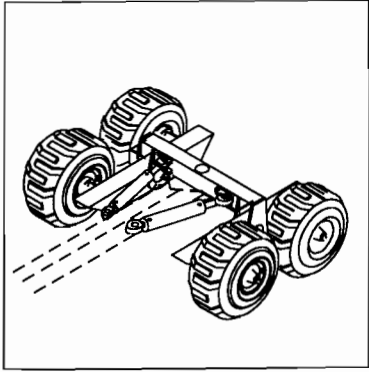
012234

402129



Approved: <i>K-1</i>	Revised: T.K. 11.02.02
	Issued: AIS 30.04.98

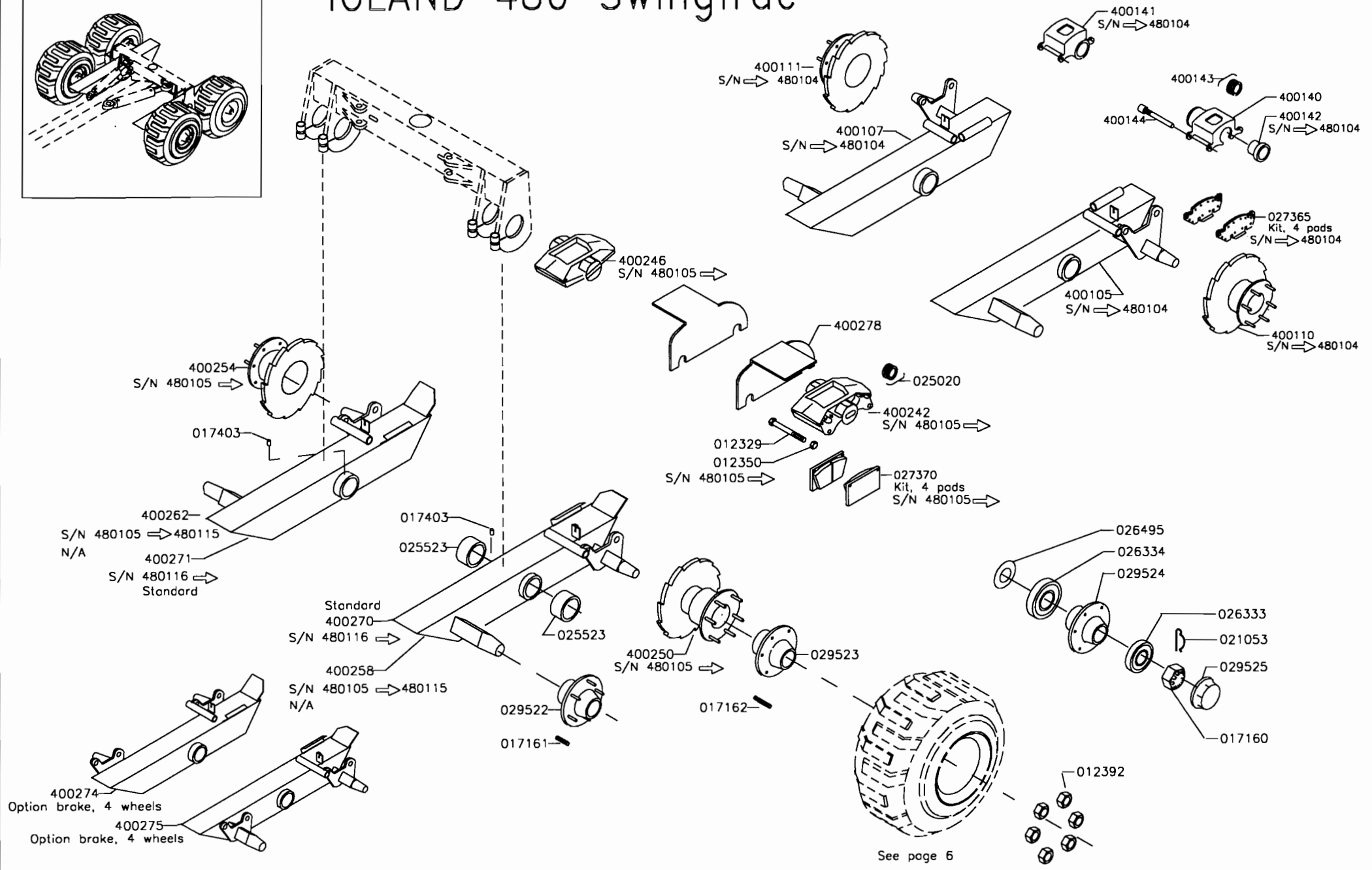
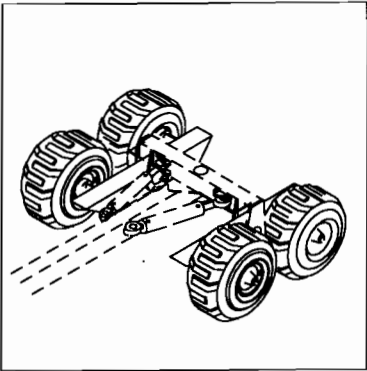
# IGLAND 480 Swingtrac



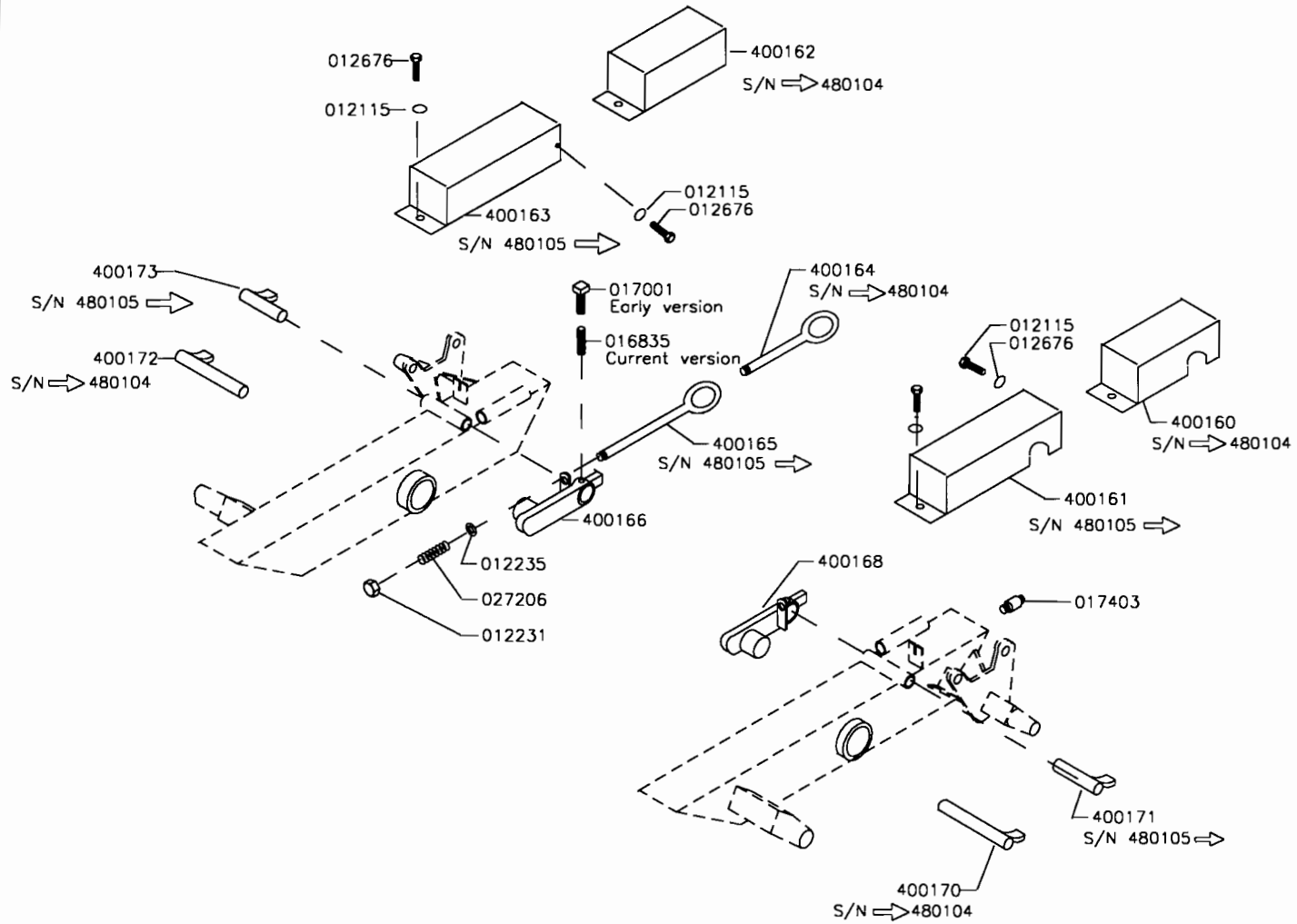
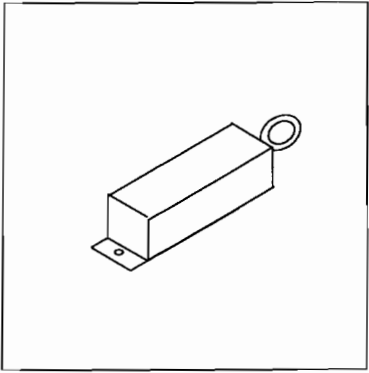
See page 3  
Standard

See page 11  
Hydraulic drive

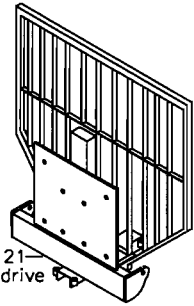
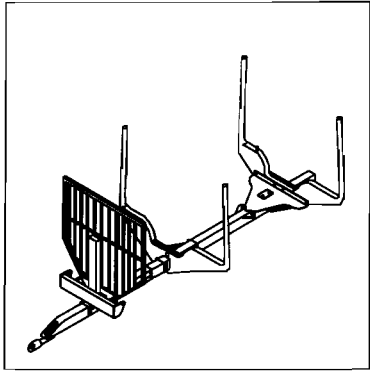
# IGLAND 480 Swingtrac



# IGLAND 480 Swingtrac



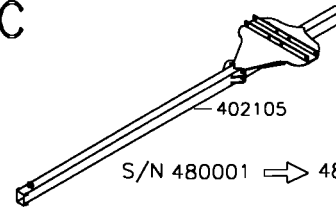
# IGLAND 480 Swingtrac



402121  
Hydraulic drive

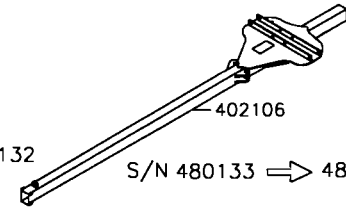
402145  
S/N  
480111  
⇒

402149  
S/N  
480111  
⇒



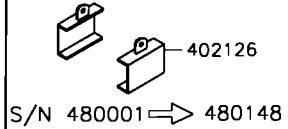
402105

S/N 480001 ⇒ 480132



402106

S/N 480133 ⇒ 480152



402126

S/N 480001 ⇒ 480148

012204  
020185  
012231

400174

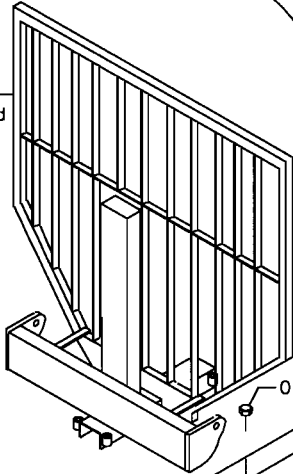
402120  
Standard

012204  
012231  
020185

S/N 480149 ⇒

012430  
402126

012420  
012420



012430

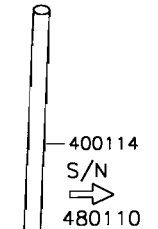
012840  
012275

402152  
S/N 480133 ⇒

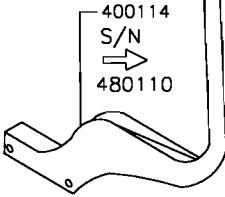
012430

012420

402149  
S/N  
480111  
⇒



400114  
S/N  
480110  
⇒



400114  
S/N  
480110  
⇒



402117  
Option

017172  
017173

402114

400148

017403

021004  
020099

402070  
S/N 480149 ⇒

400128

S/N 480001 ⇒ 480148

012423

012430

402108 N/A  
Early version  
S/N ⇒ 480104  
Use P/N 402111

400125  
S/N 480149 ⇒

012420  
S/N 480105 ⇒ 480132  
012422  
S/N 480133 ⇒

402119 S/N 480133 ⇒

402118 N/A  
S/N 480111 ⇒ 480132

012420 S/N 480105 ⇒ 480132

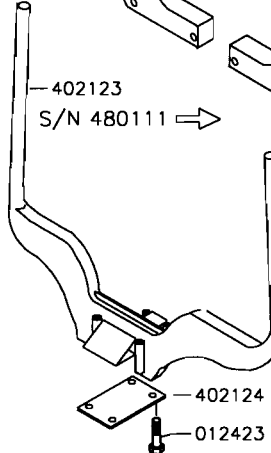
012422 S/N 480133 ⇒

402107 S/N 480153 ⇒



402111 N/A  
S/N 480105 ⇒ 480132

402112  
S/N 480133 ⇒ 480148



402123  
S/N 480111 ⇒

402124

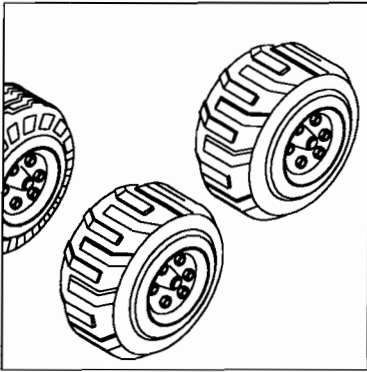
012423

017403

020099

021004

# IGLAND 480 Swingtrac

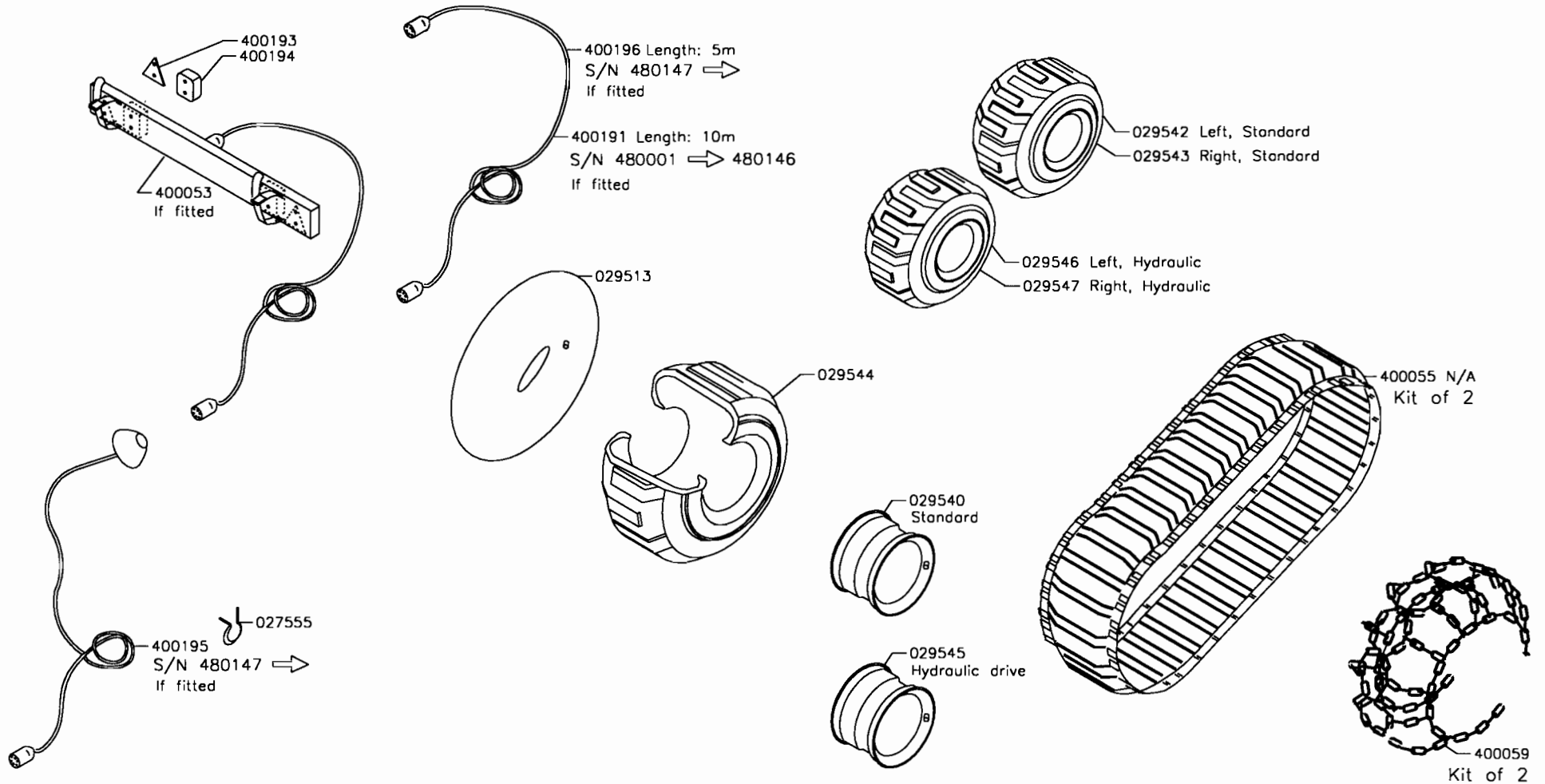


Wheels

Chains (Accessories): 400059

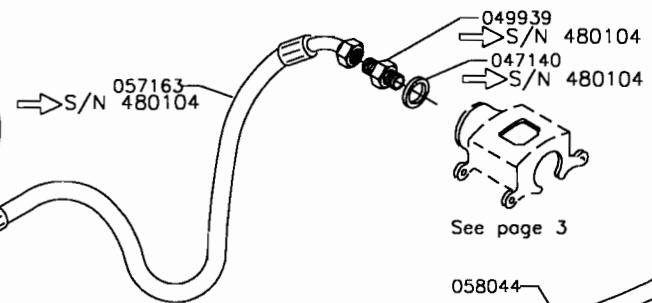
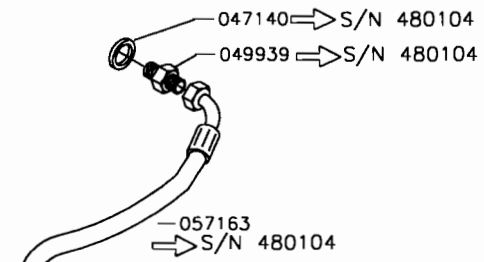
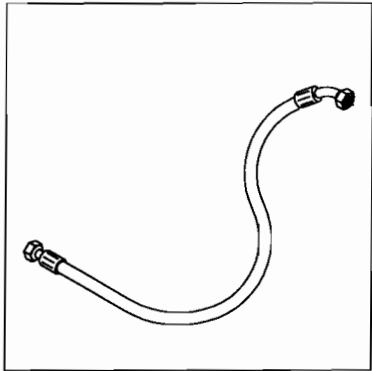
Belts (Accessories): 400054 N/A

Rear Light Bracket (Accessories): 400053

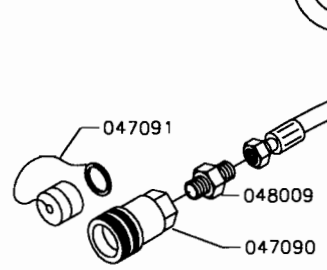


# IGLAND 480 Swingtrac

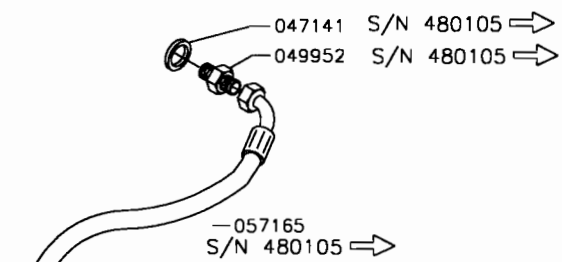
## HOSES FOR BRAKES



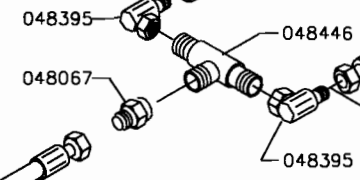
See page 3



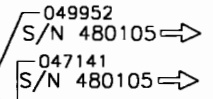
058044



027558

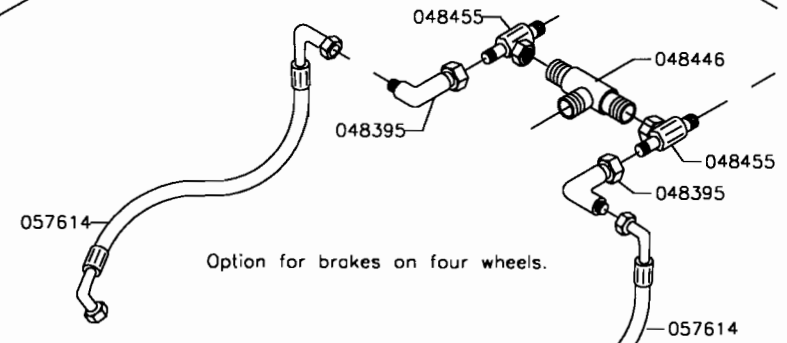


057165 S/N 480105 =>



See page 3

027558

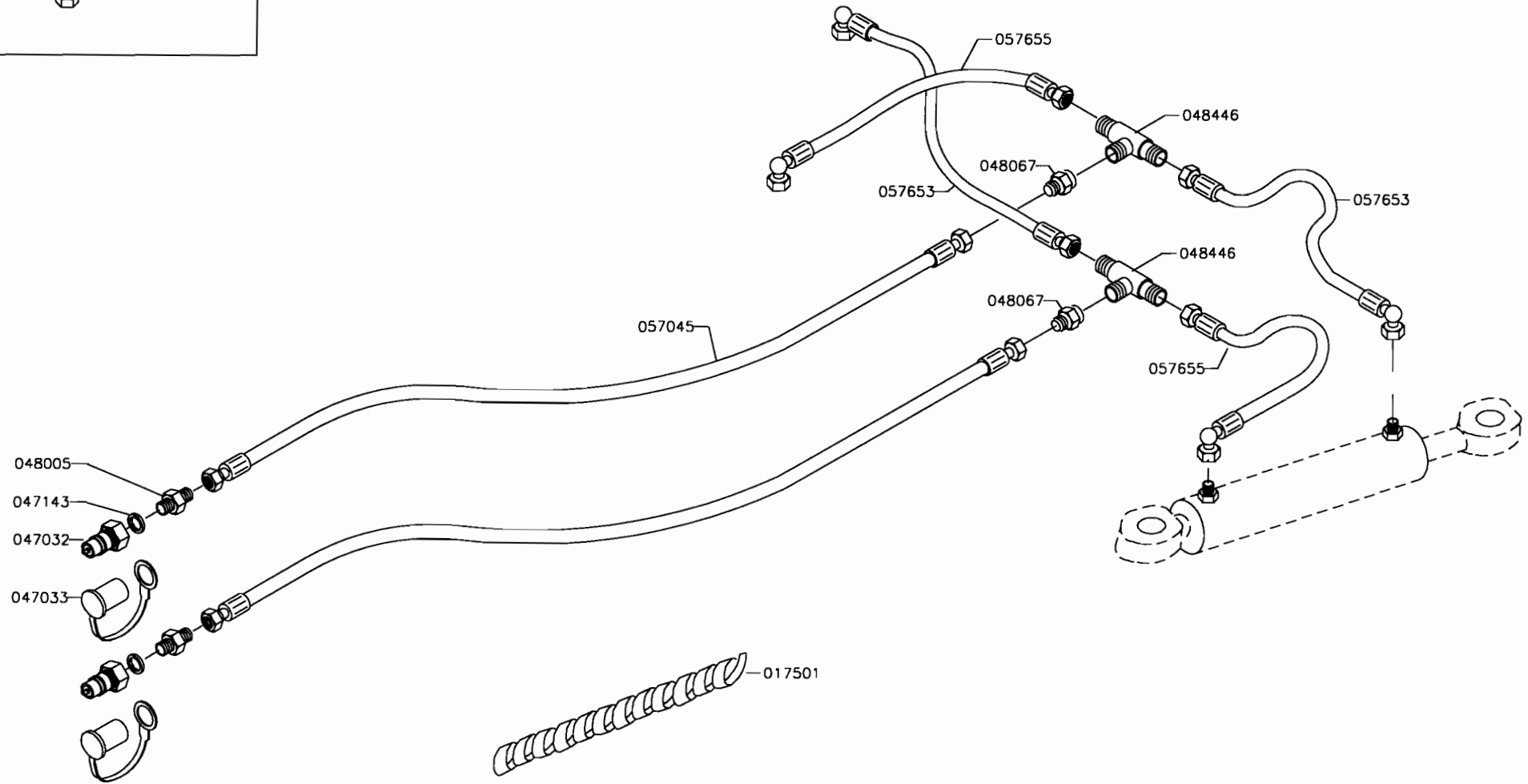
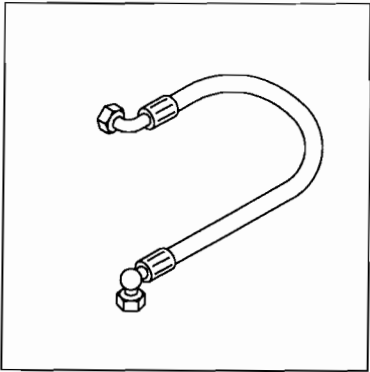


Option for brakes on four wheels.

057614

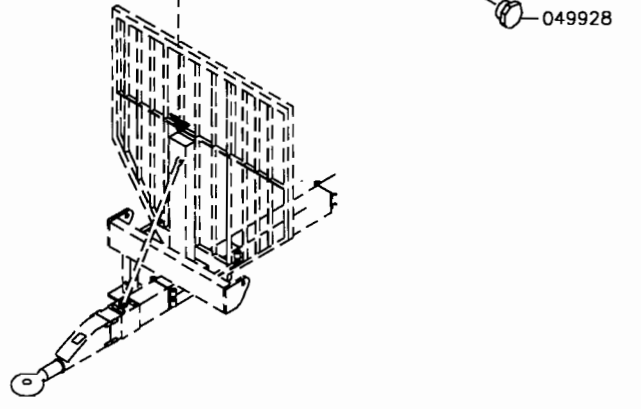
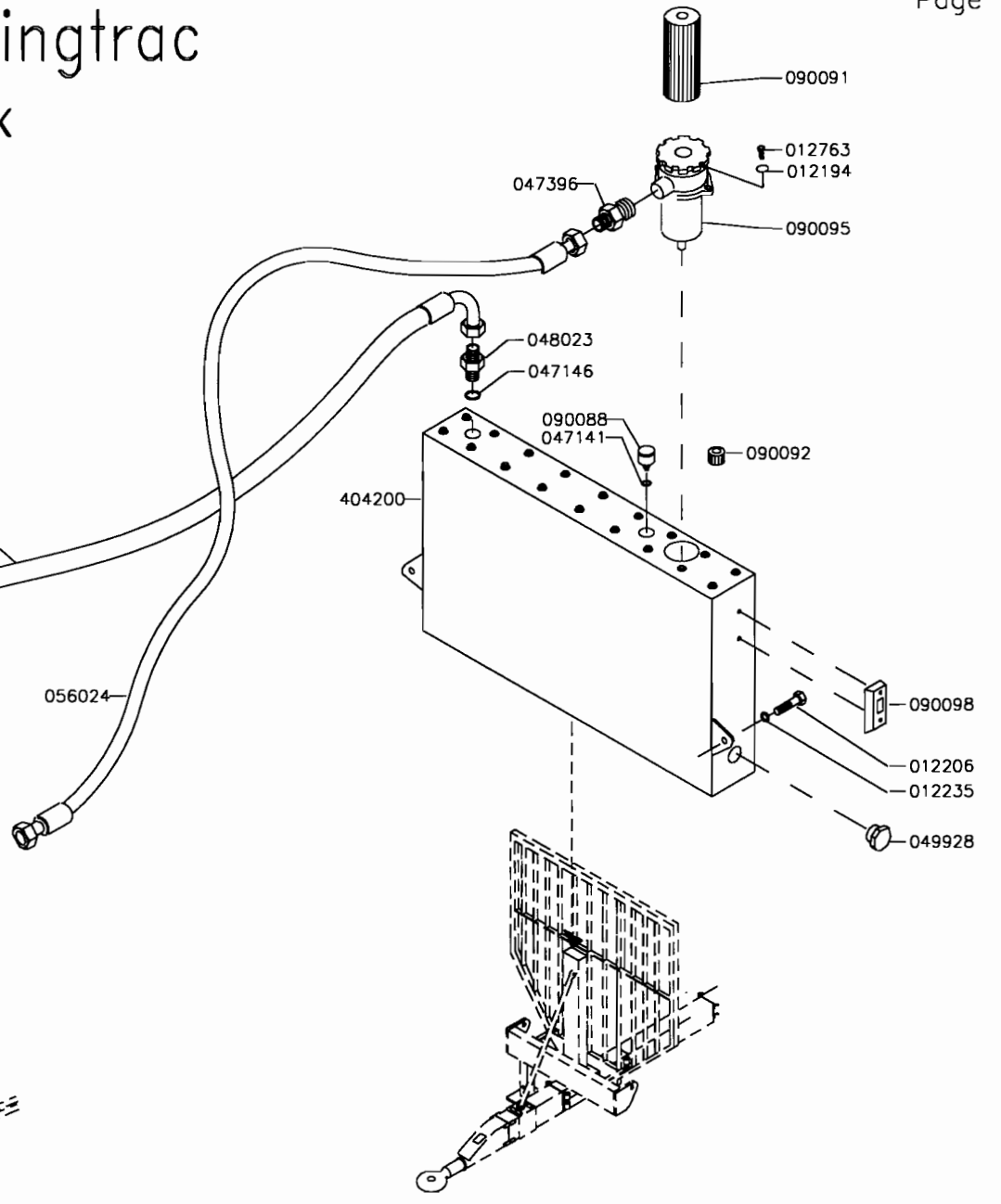
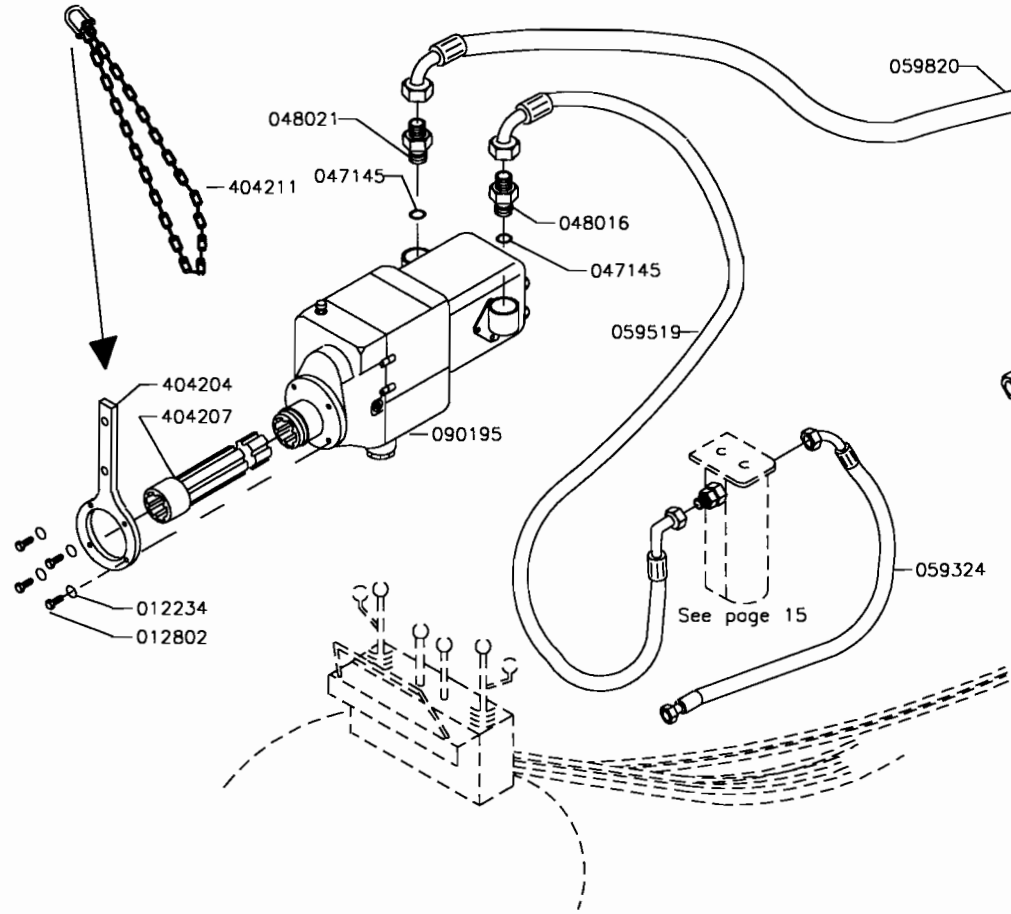
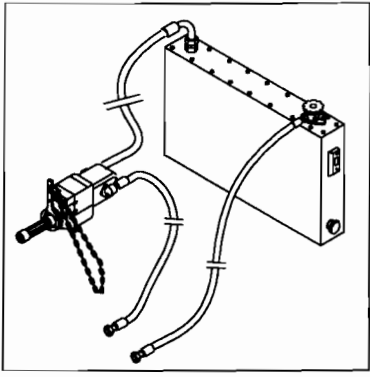
# IGLAND 480 Swingtrac

## HOSES FOR STEERING

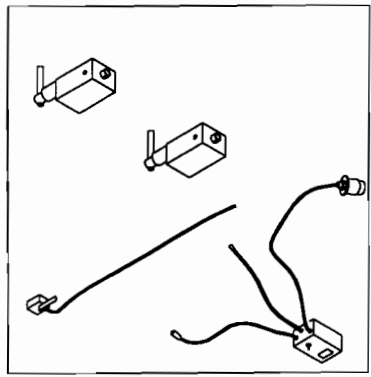
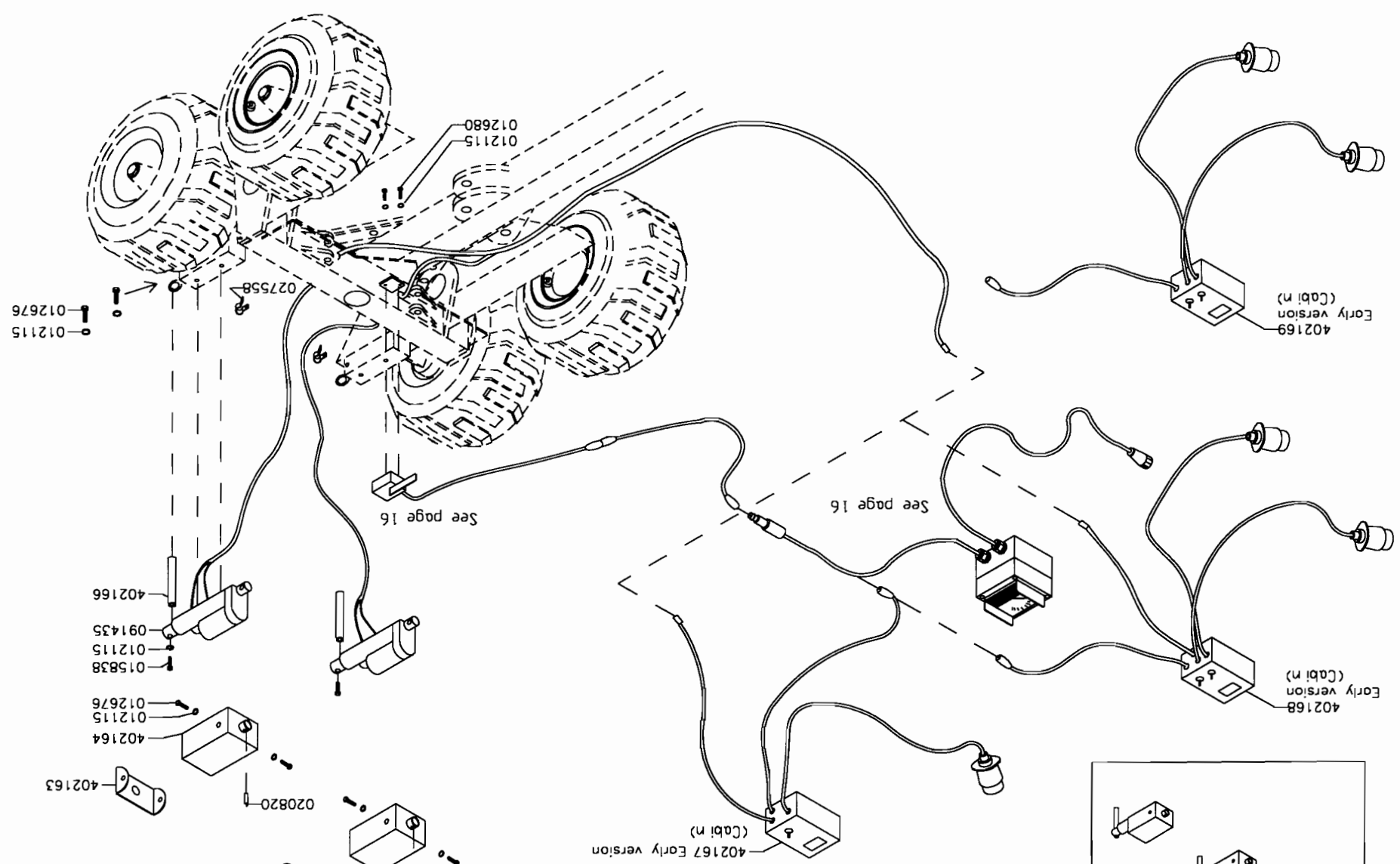




# IGLAND 480 Swingtrac Oil Pump and Tank Option

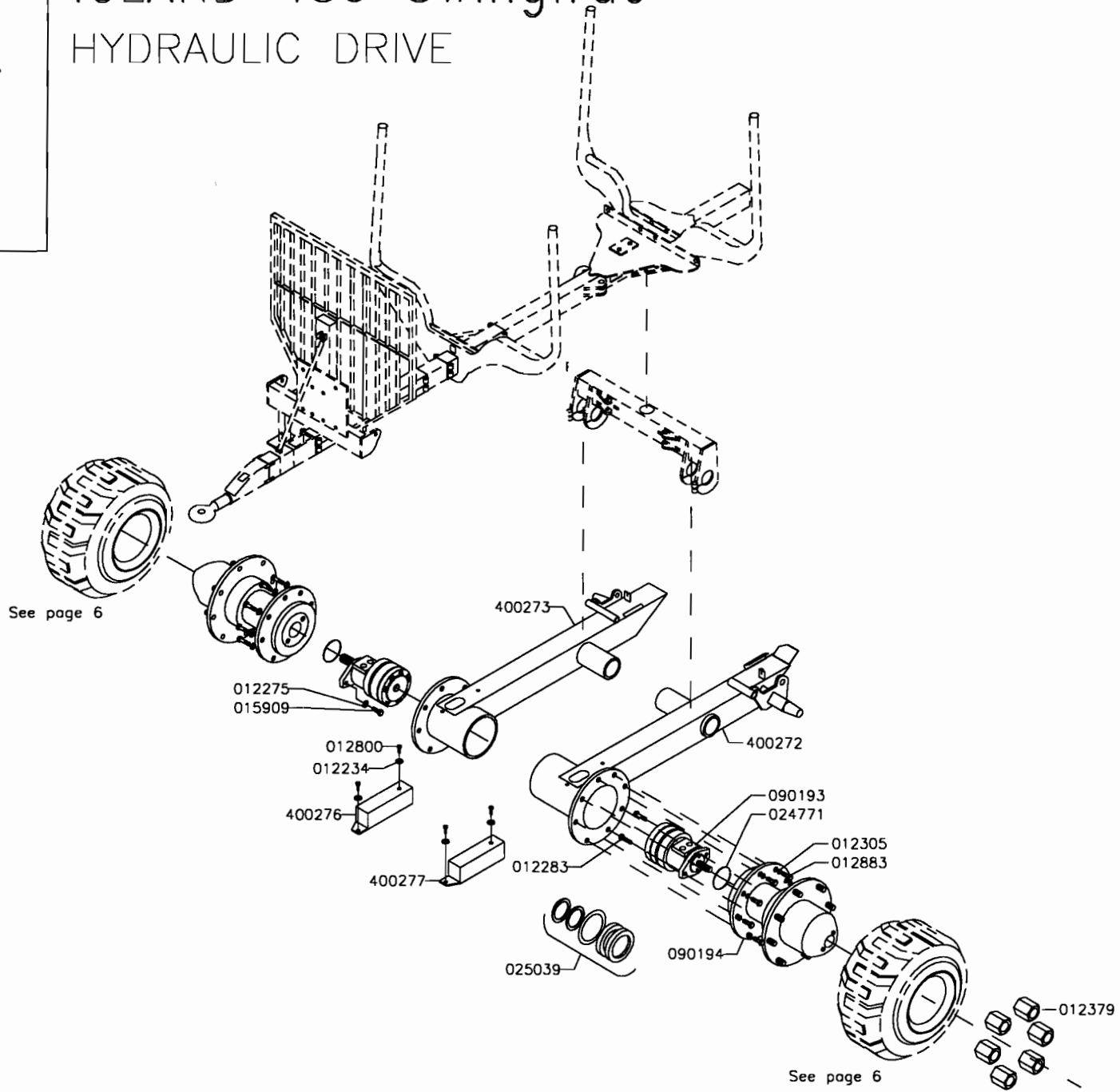
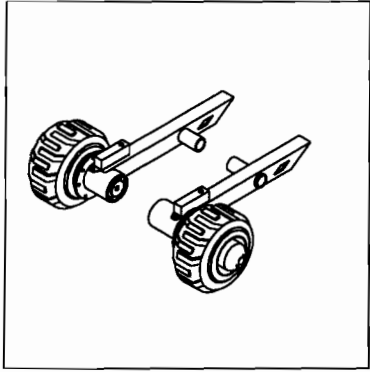


# IGLAND 480 Swingtrac Swing Actuator Option



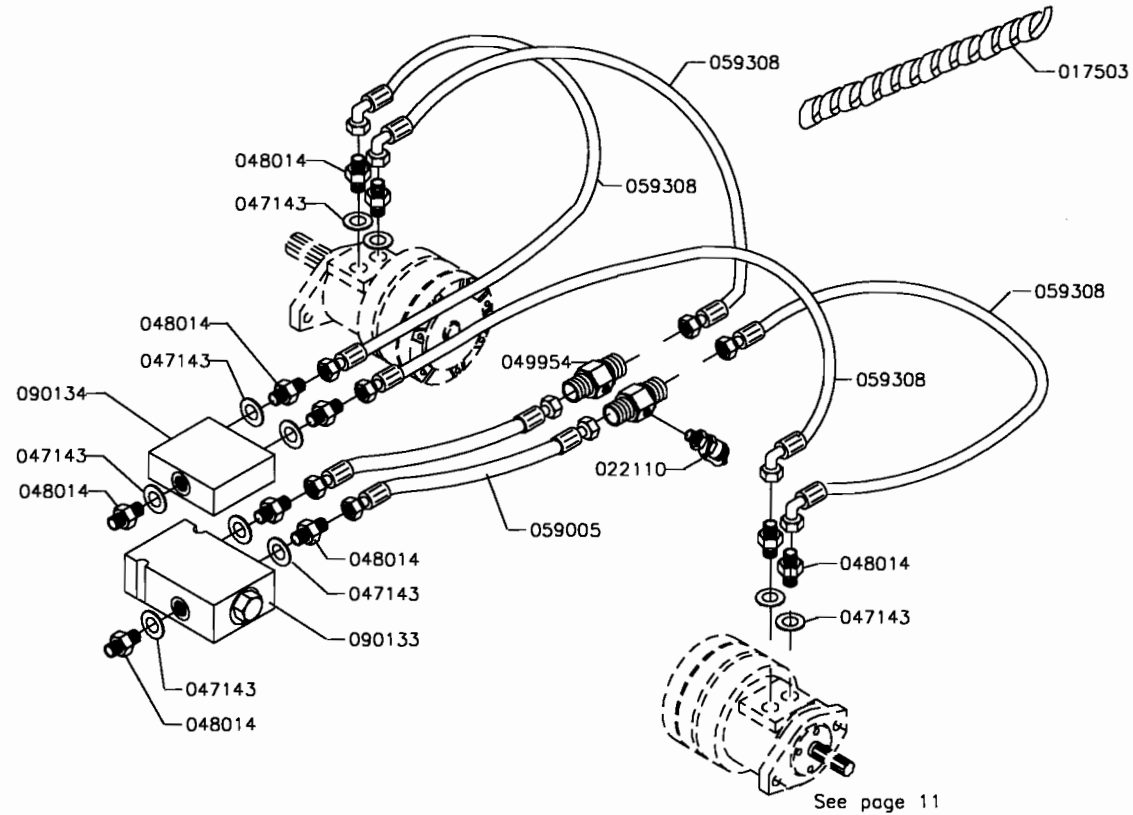
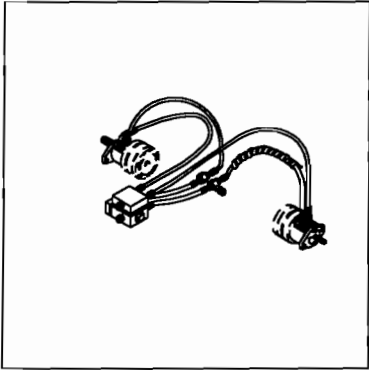
# IGLAND 480 Swingtrac

## HYDRAULIC DRIVE



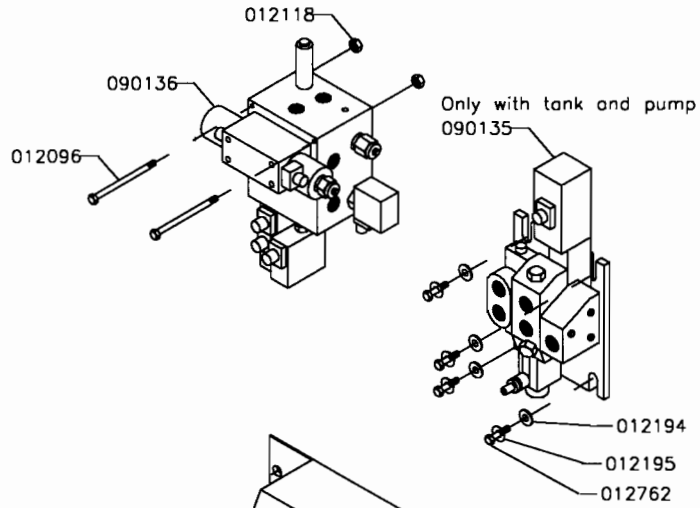
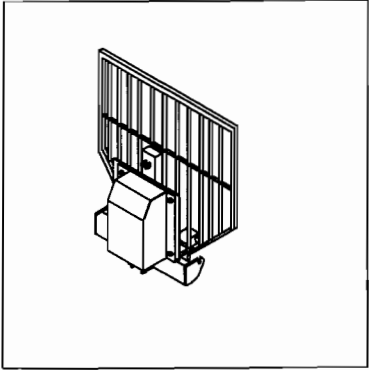
# IGLAND 480 Swingtrac

## HOSE AND NIPPLE FOR HYDRAULIC ENGINE

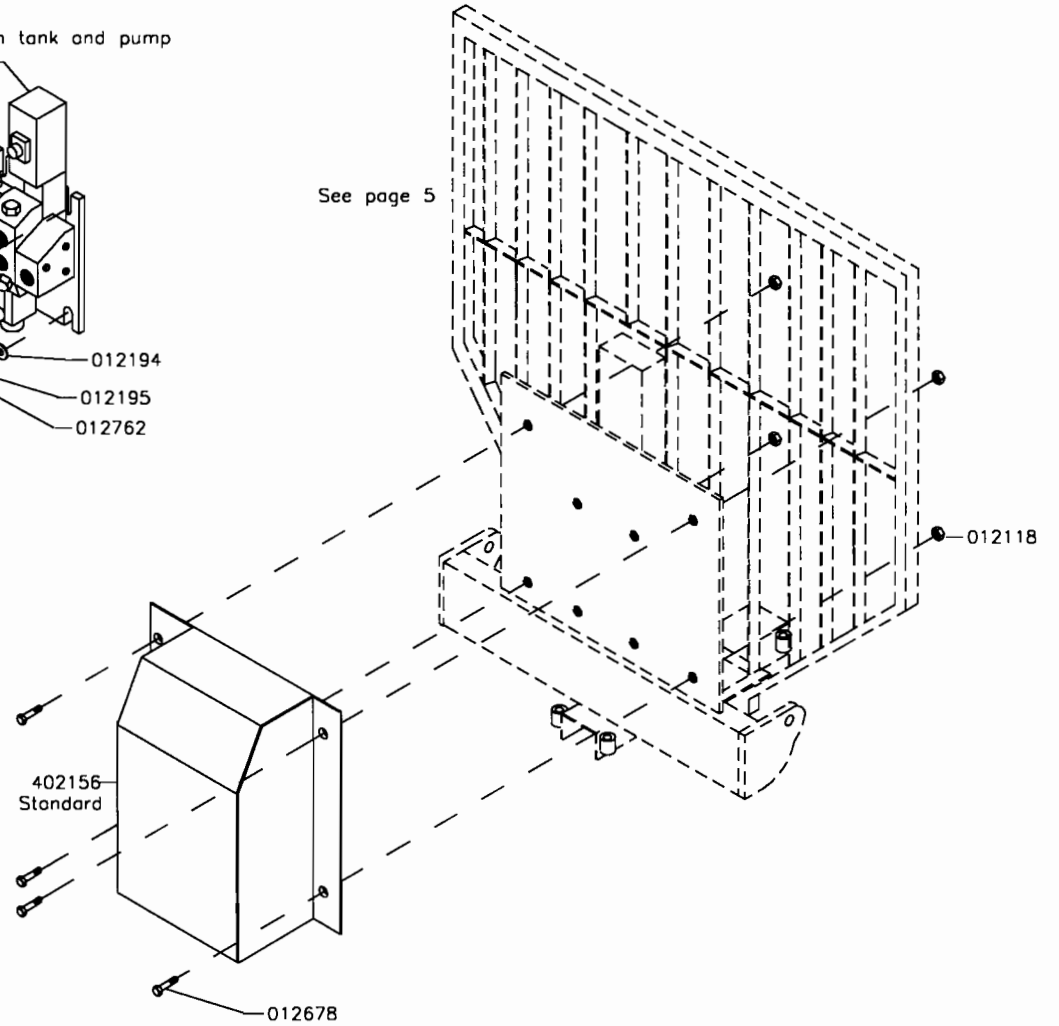
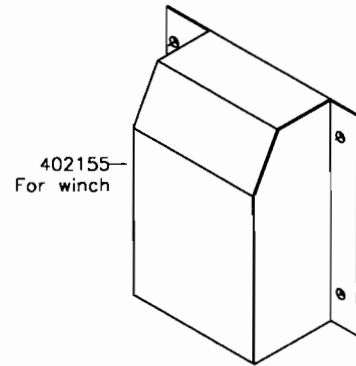


# IGLAND 480 Swingtrac

## VALVE FOR DRIVE



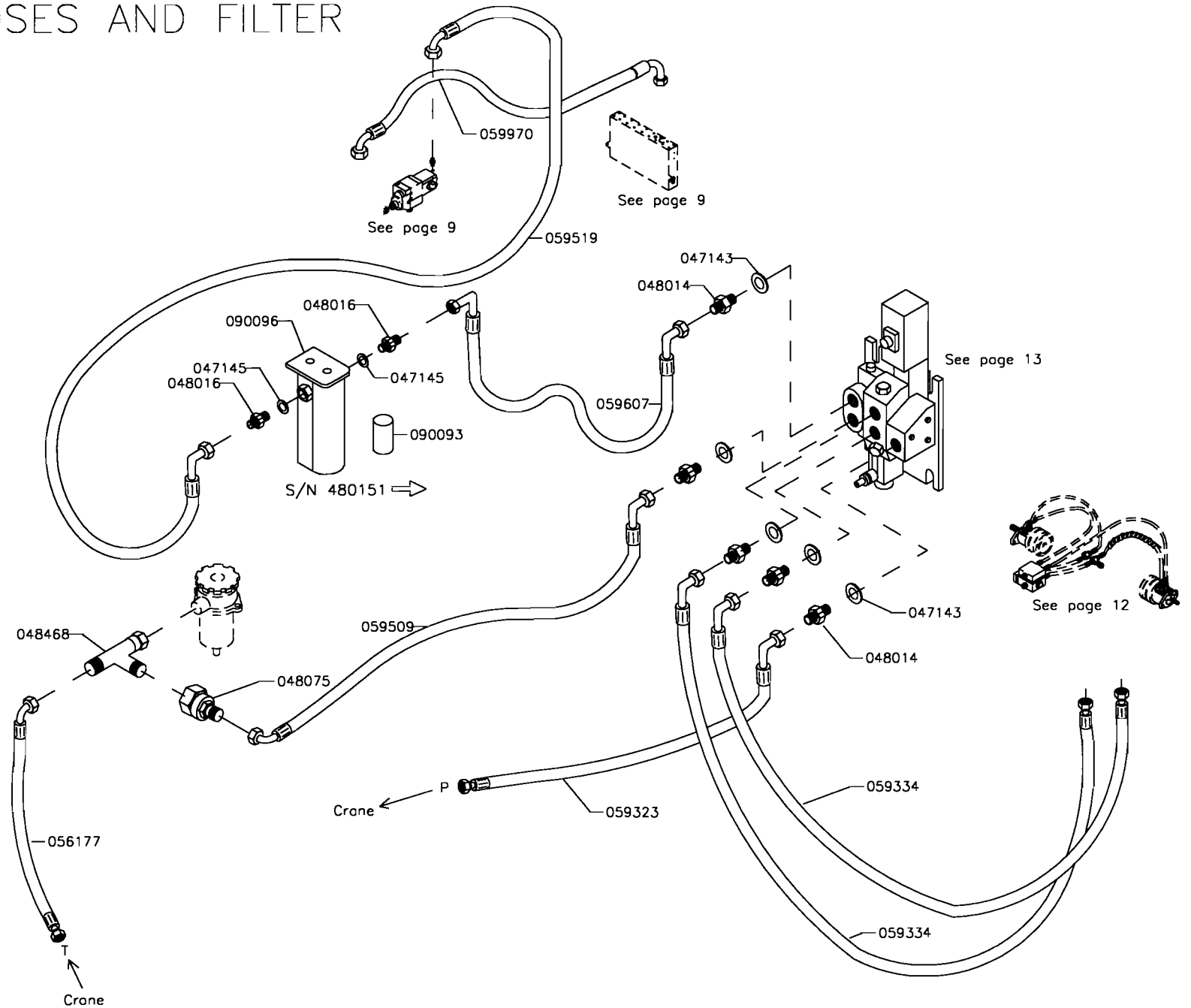
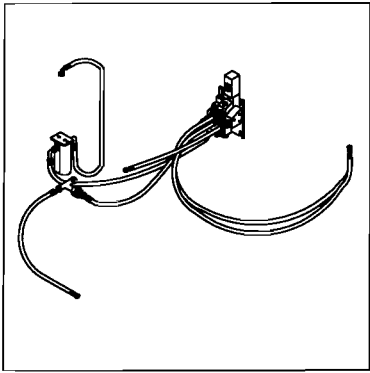
See page 5





# IGLAND 480 Swingtrac

## HOSES AND FILTER



# IGLAND 480 Swingtrac

## CONTROL

