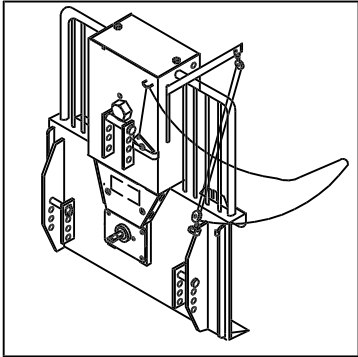
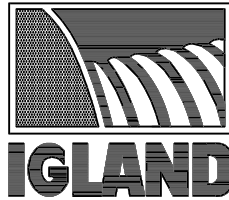


IGLAND 4001 Parts Catalogue

Serial No.: 0001 →



GENERAL INFO:

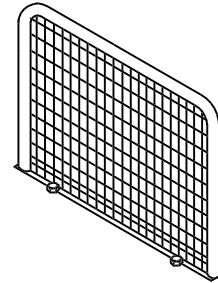
This Parts Catalogue consists of 10 numbered pages.

This Catalogue: P/N 390040

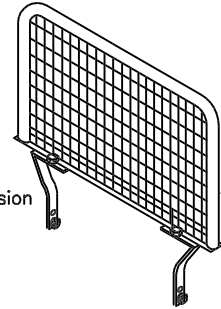
N/A: Not Available

© IGLAND AS

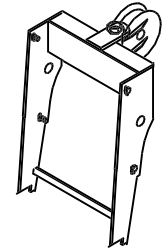
- Gjengivelse av tekst og tegninger uten tillatelse forbudt.
- Reproduction of text or illustrations without permission is prohibited.
- Eine Wiedergabe von Texten und Zeichnungen ohne unsere Genehmigung ist nicht gestattet.
- Interdiction de toute reproduction de textes ou d'illustrations sans autorisation préalable.



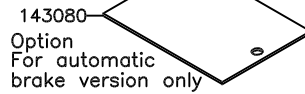
159337
Current version
If fitted



153009
Early version
153005 N/A
If fitted
Early version



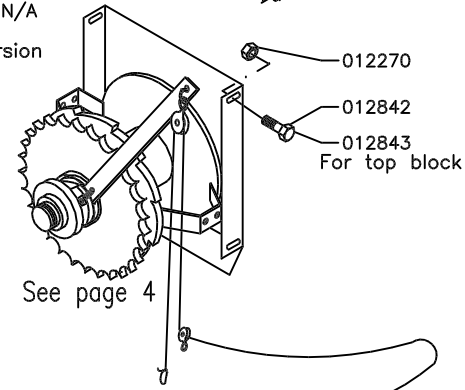
See page 6
If fitted



143080
Option
For automatic
brake version only

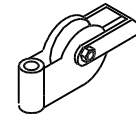
122044
Standard version

012231
012235



012270
012842
012843
For top block

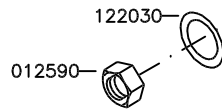
See page 4



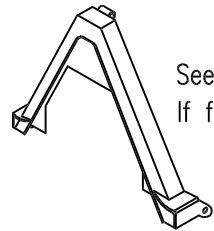
See page 2

See page 3

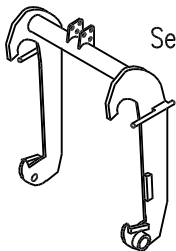
See page 5



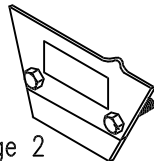
012590
122030



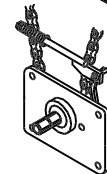
See page 6
If fitted



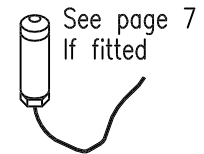
See page 6
If fitted



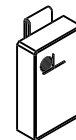
See page 2



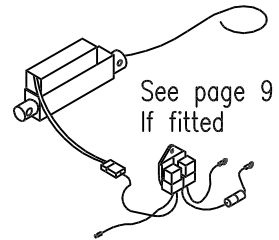
See page 3



See page 7
If fitted

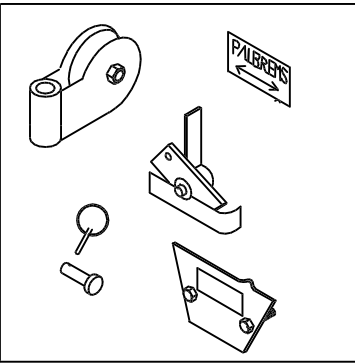


See page 8
If fitted



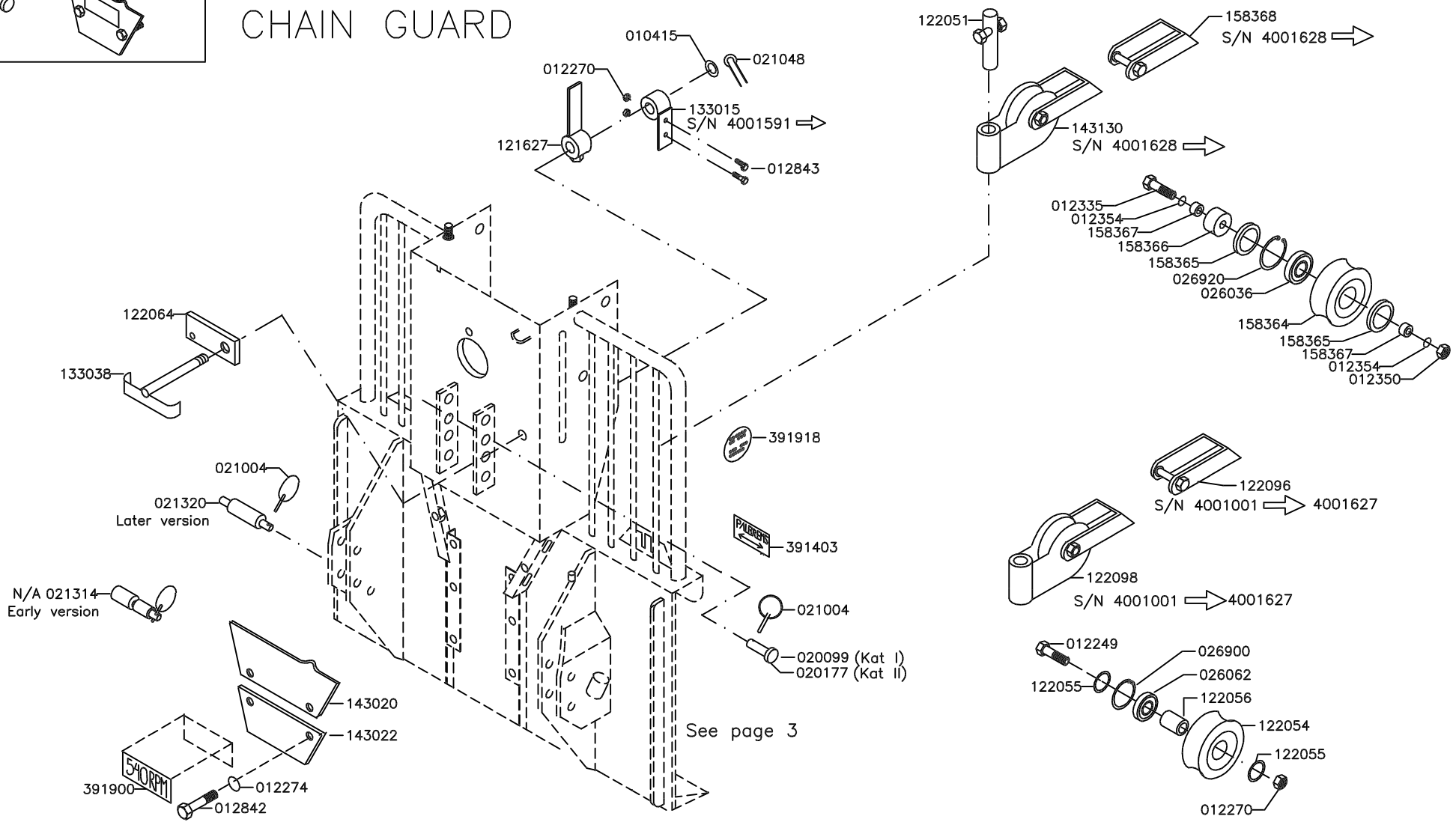
See page 9
If fitted

| | |
|-----------|----------------------|
| Approved: | Revised: øi 02.02.05 |
| | Issued: AIS 05.04.93 |



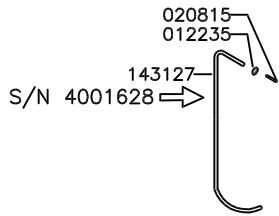
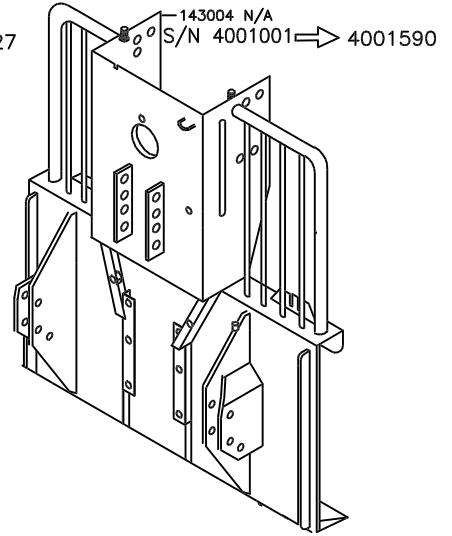
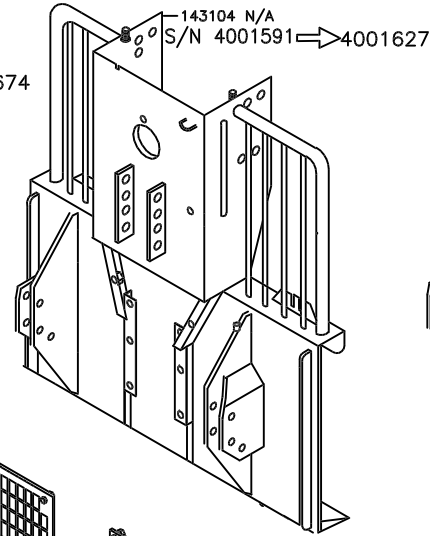
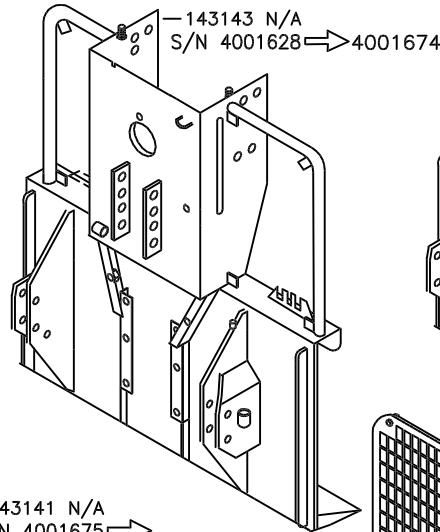
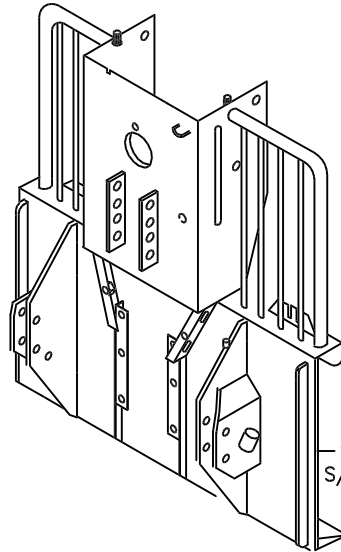
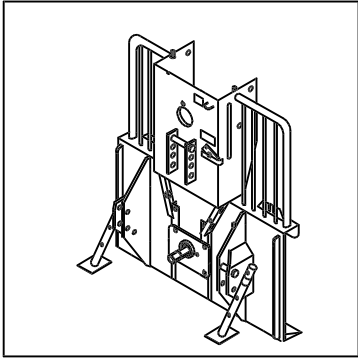
IGLAND 4001

BLOCK
RATCHET BRAKE
BOLTS
CHAIN GUARD



IGLAND 4001

BODY

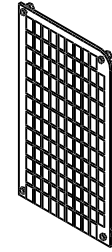
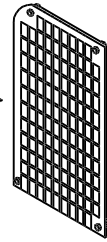


143141 N/A
S/N 4001675 →

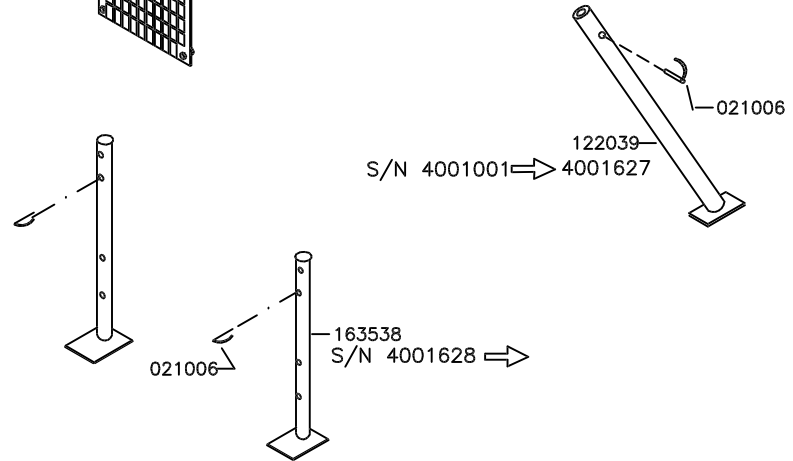
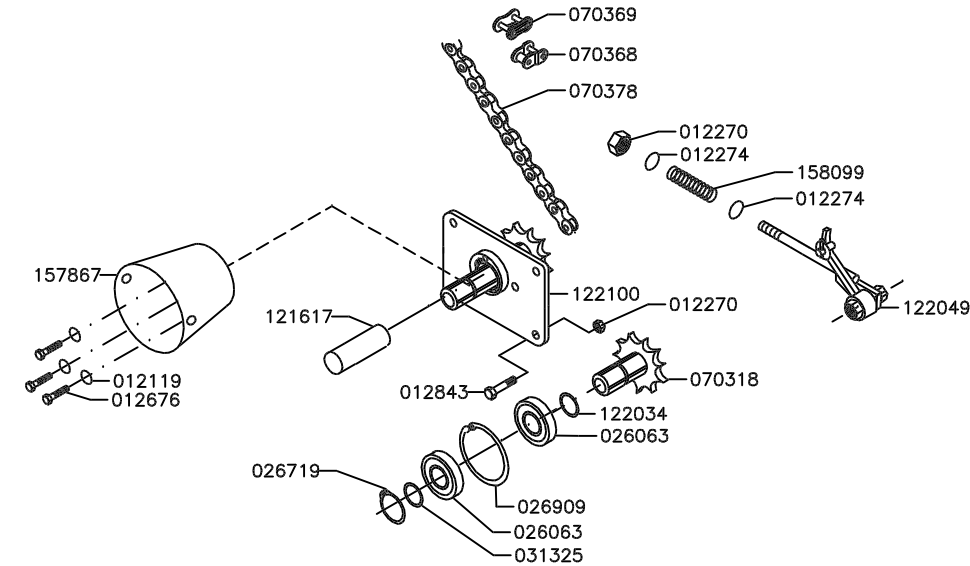
143143 N/A
S/N 4001628 → 4001674

143104 N/A
S/N 4001591 → 4001627

143004 N/A
S/N 4001001 → 4001590



143150
S/N 4001628 → 4001674



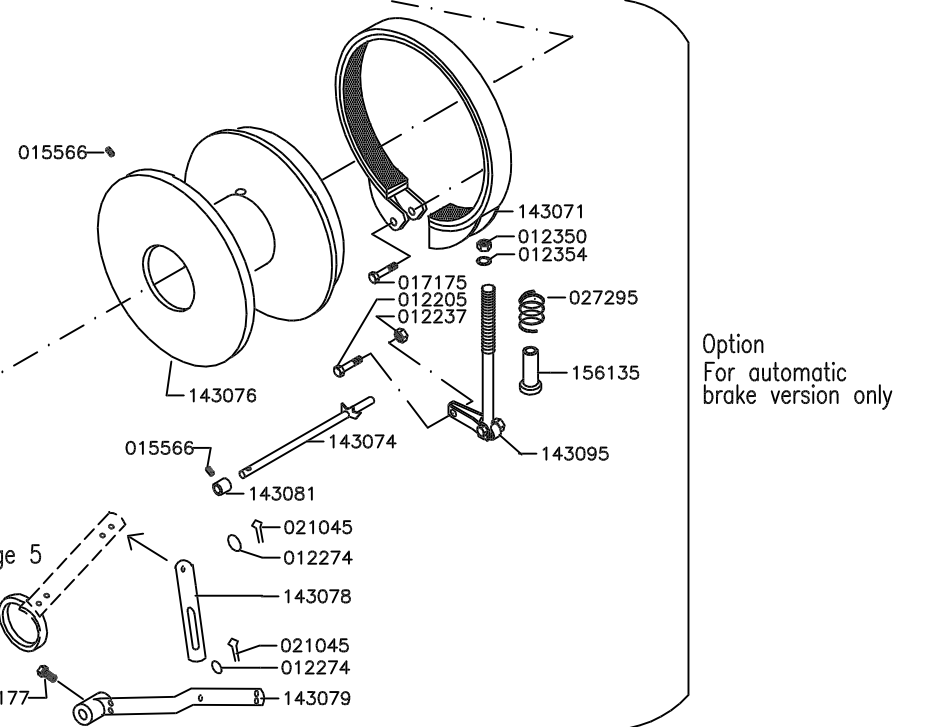
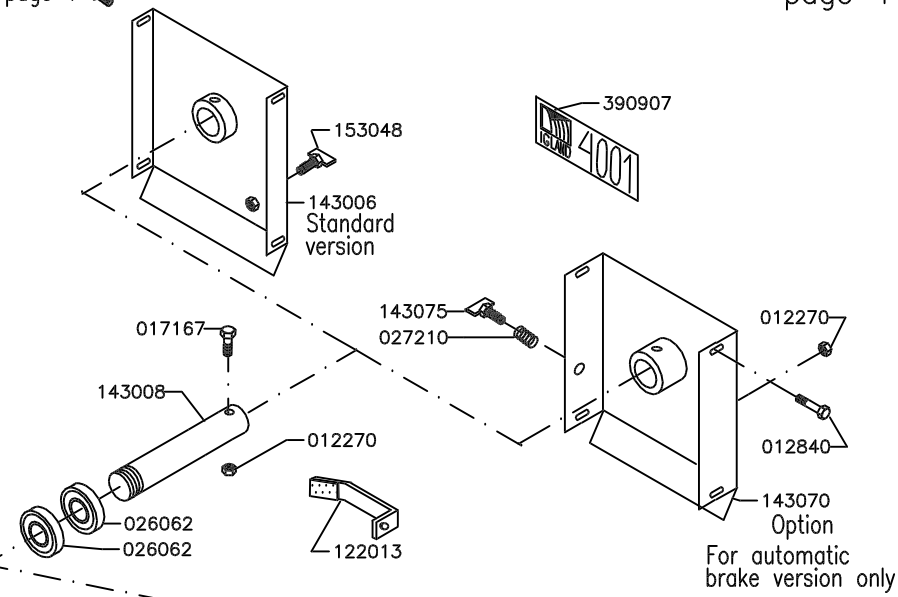
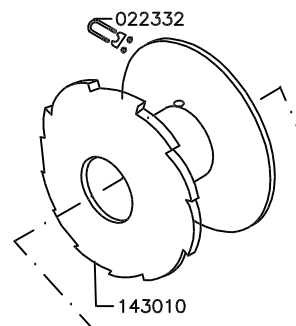
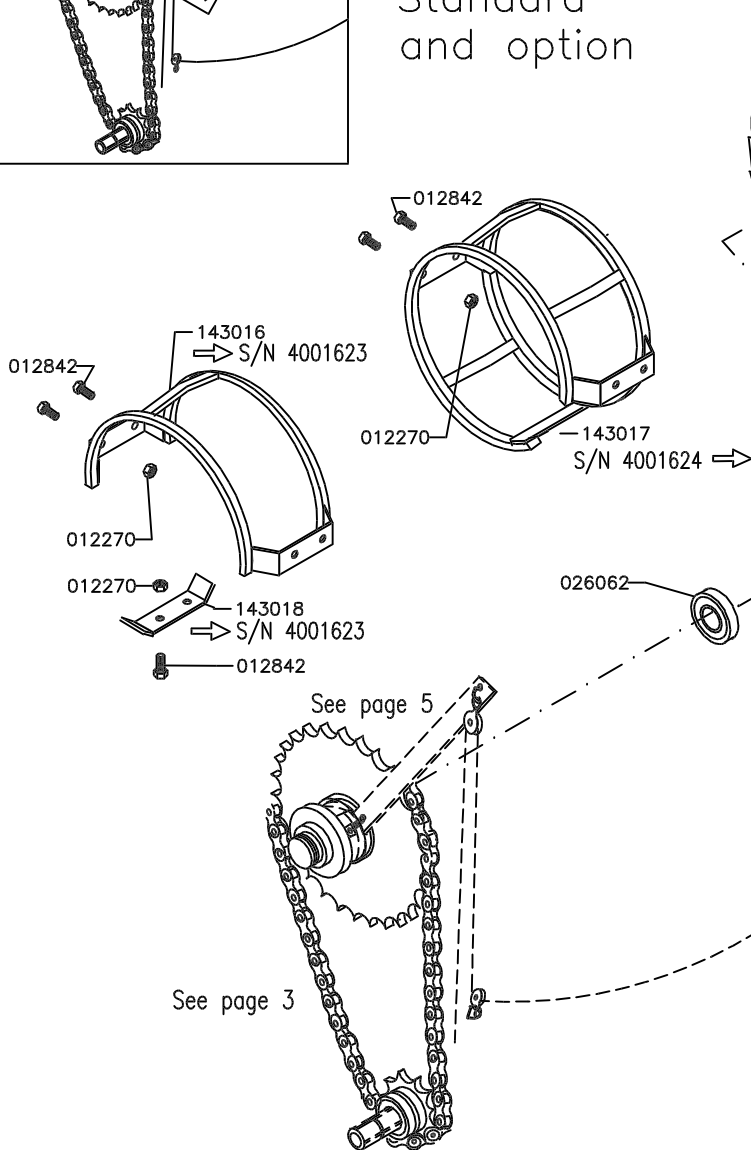
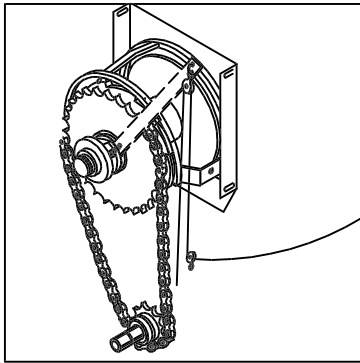
122039
S/N 4001001 → 4001627

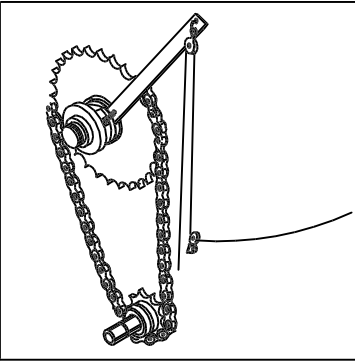
163538
S/N 4001628 →

See page 1

IGLAND 4001

DRUM Standard and option

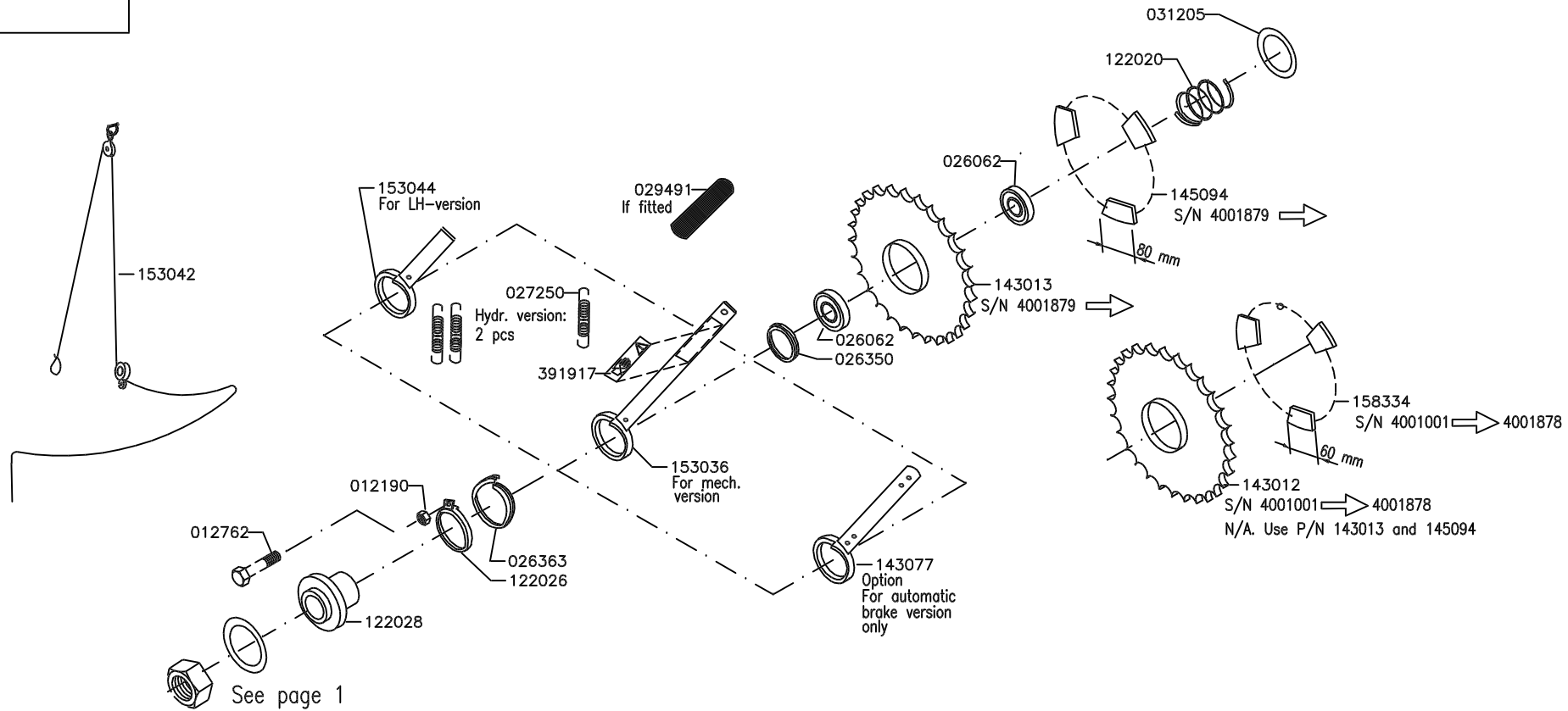




IGLAND 4001

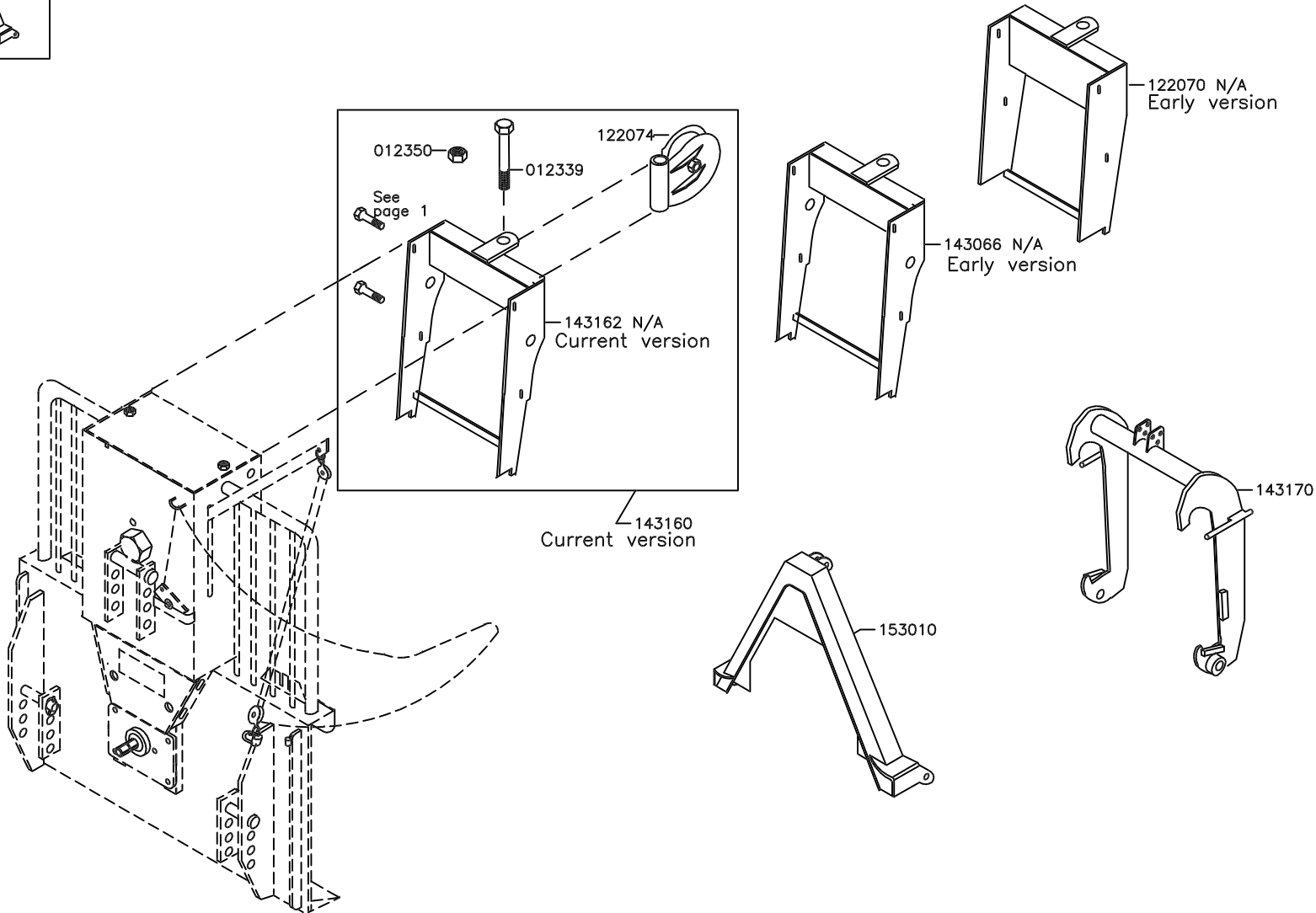
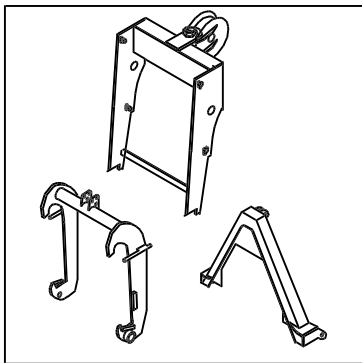
DRUM

Standard and option



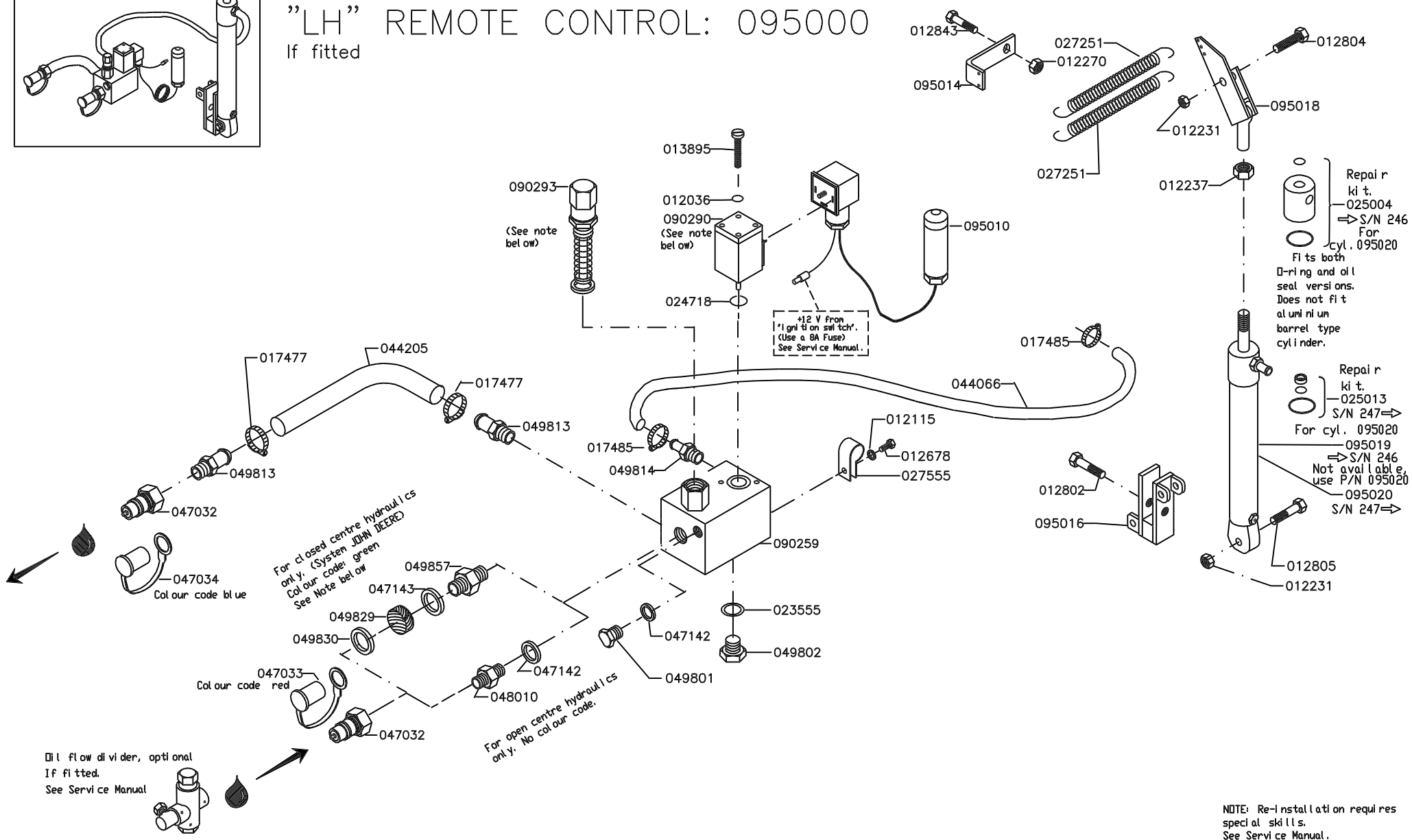
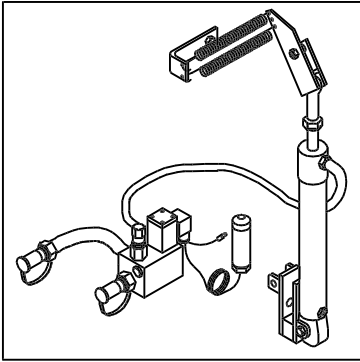
IGLAND 4001

TOP BLOCK: 143160 If fitted
TRIANGEL SNAP LINK: 153010 If fitted
"HMV" SNAP LINK: 143170 If fitted

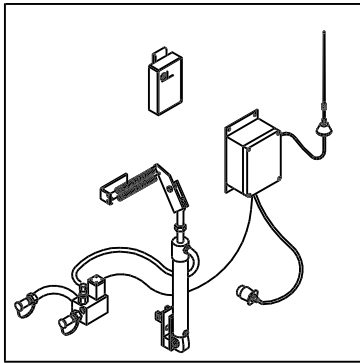


IGLAND 4001

"LH" REMOTE CONTROL: 095000
If fitted



NOTE: Re-Installation requires special skills. See Service Manual.



IGLAND 4001

RADIO REMOTE CONTROL KIT, C/W HYDRAULICS: 095230
 RADIO REMOTE CONTROL KIT,
 WITHOUT HYDRAULICS: 095232

Additional price for 4 ch. transmitter/receiver

Add. price for frequency for Germany, Austria, Switzerland

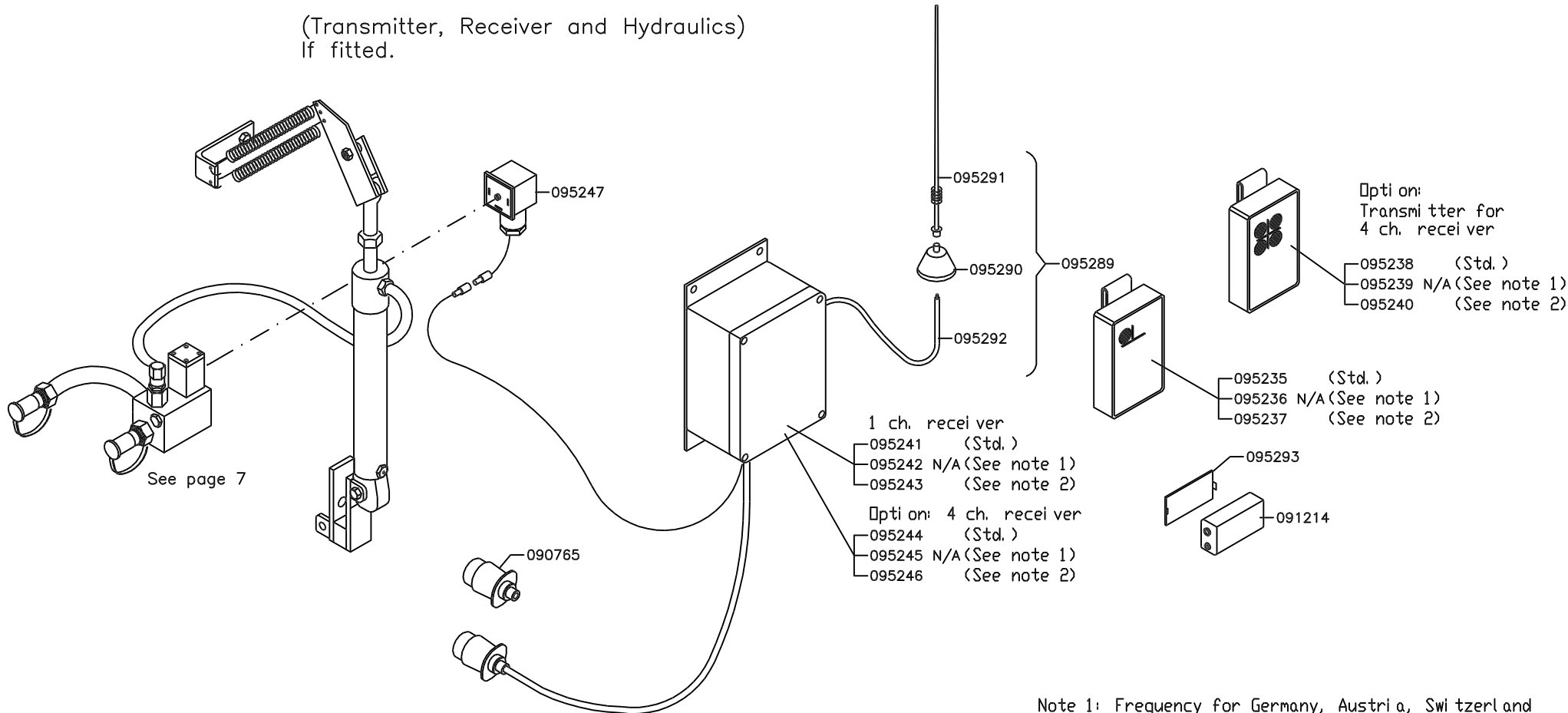
Add. price for frequency for Great Britain

- 095231

- 091162 N/A

- 091163

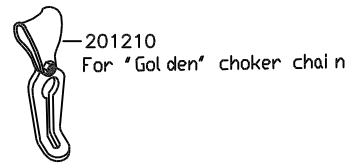
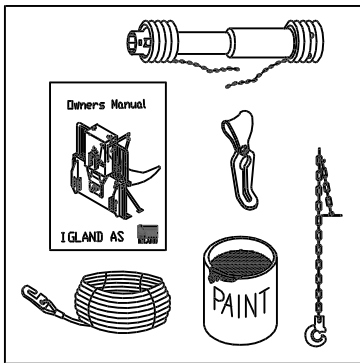
(Transmitter, Receiver and Hydraulics)
 If fitted.



Note 1: Frequency for Germany, Austria, Switzerland
 Note 2: Frequency for Great Britain

IGLAND 4001

Miscellaneous



201210
For "Golden" choker chain



Choker Chain
201201 1,5 m, "Golden", 6.000 kp
201205 2.0 m, do.

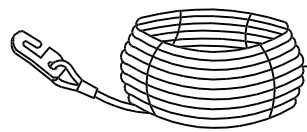


Choker Chain
200691, 4000 kp.



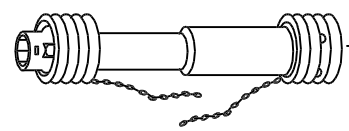
023001 Red 1 l
023011 Black 1 l

WIRE ROPE, 6x26WS+IWRC 180 kp, 10 mm

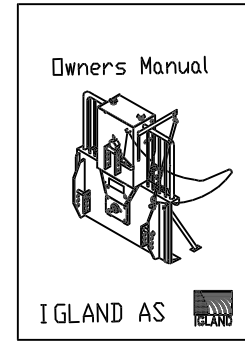


200170 35 m
200171 50 m

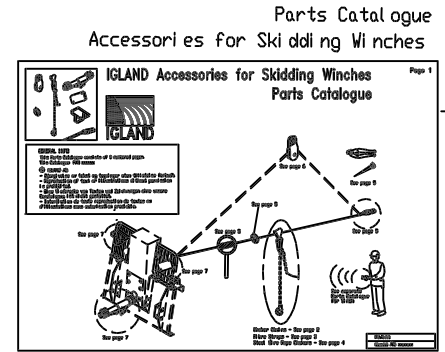
WIRE ROPE, according to ISO 4254-4



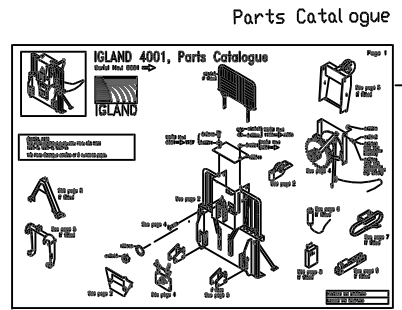
PTO Shaft
209100
W2200



Owners Manual
390051



Parts Catalogue
Accessories for Skidding Winches
390601



Parts Catalogue
IGLAND 4001, Parts Catalogue
390040