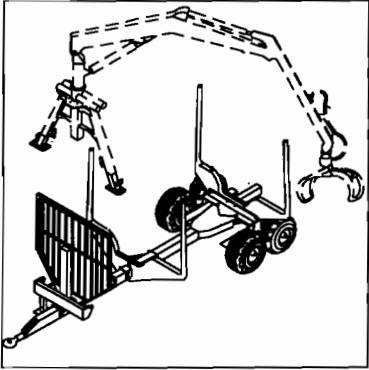
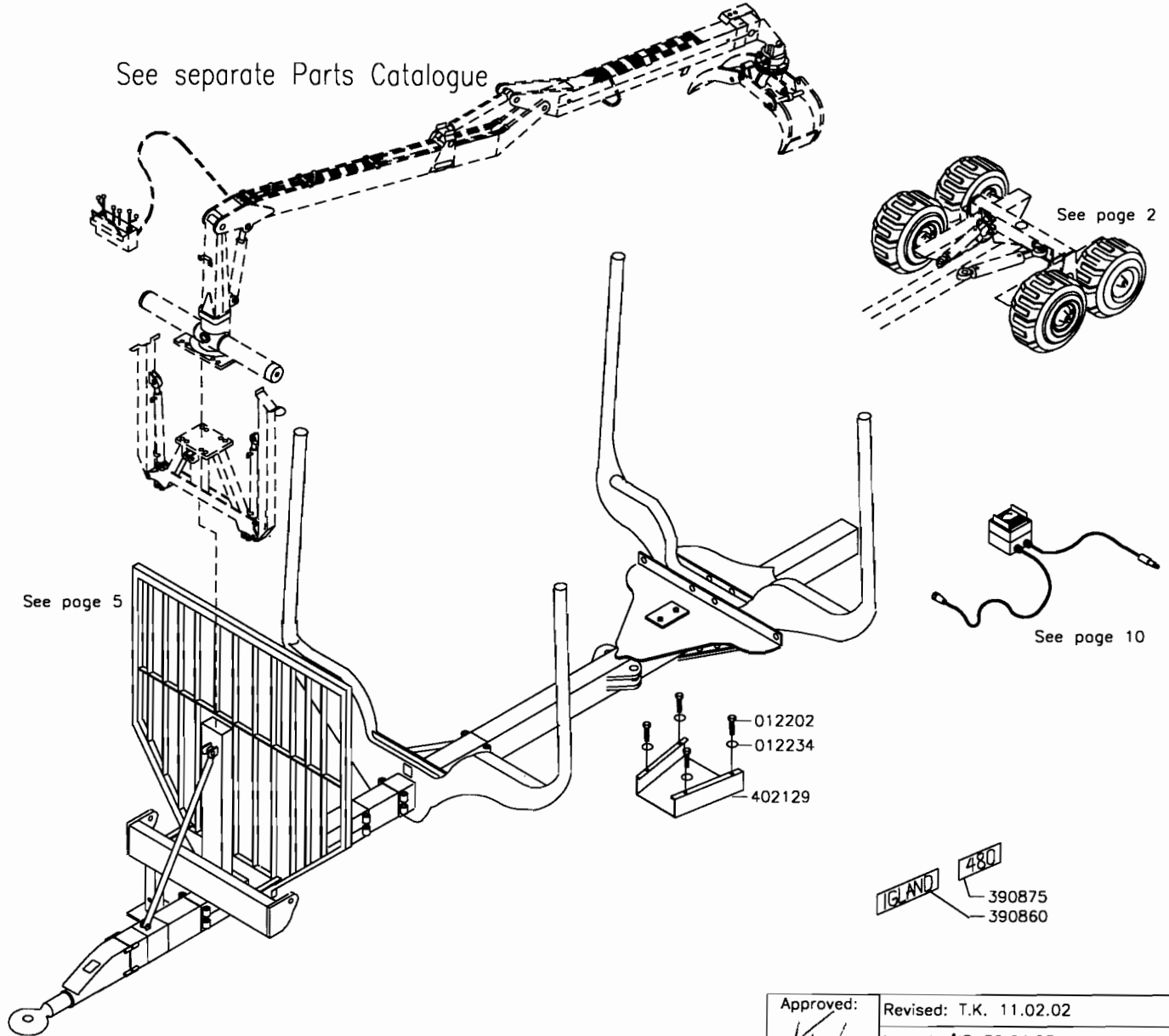


# IGLAND 480 Swingtrac (Timber Trailer) Parts Catalogue

Serial No.: 480001 →



See separate Parts Catalogue



### GENERAL INFO

This Catalogue: P/N 390515  
This Parts Catalogue consists of 16 numbered pages.

© IGLAND AS

- Gjengivelse av tekst og tegninger uten tillatelse forbudt.
- Reproduction of text or illustrations without permission is prohibited.
- Eine Wiedergabe von Texten und Zeichnungen ohne unsere Genehmigung ist nicht gestattet.
- Interdiction de toute reproduction de textes ou d'illustrations sans autorisation préalable.

See page 7/8

See page 5

See page 2

See page 10

See page 5

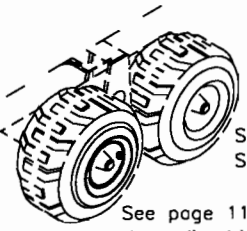
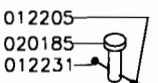
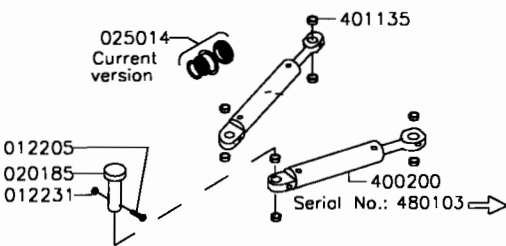
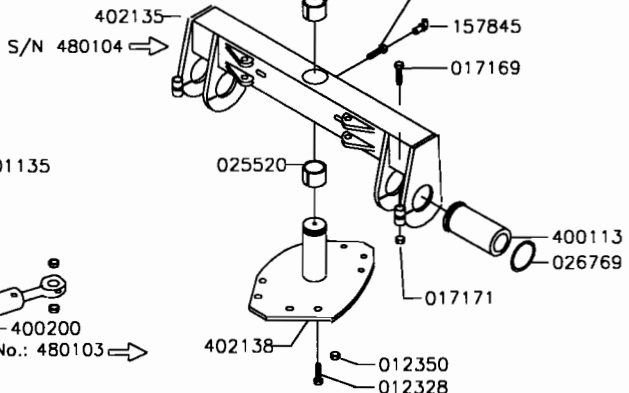
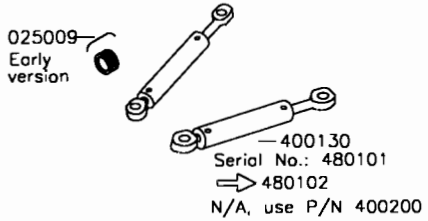
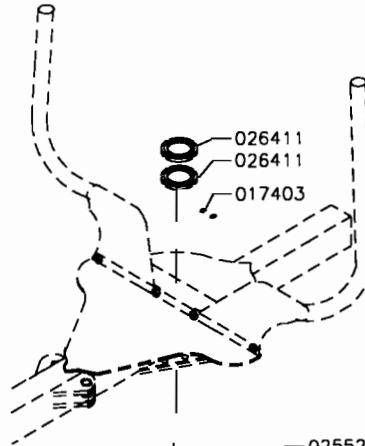
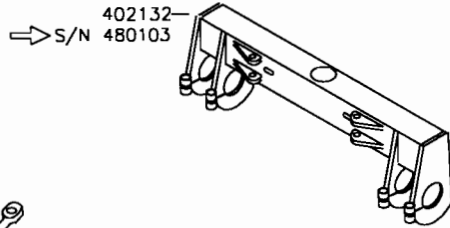
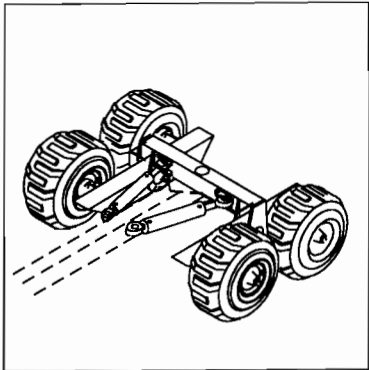
See page 9  
if fitted

012202  
012234  
402129

IGLAND 480  
390875  
390860

Approved: <i>K-1</i>	Revised: T.K. 11.02.02
	Issued: AIS 30.04.98

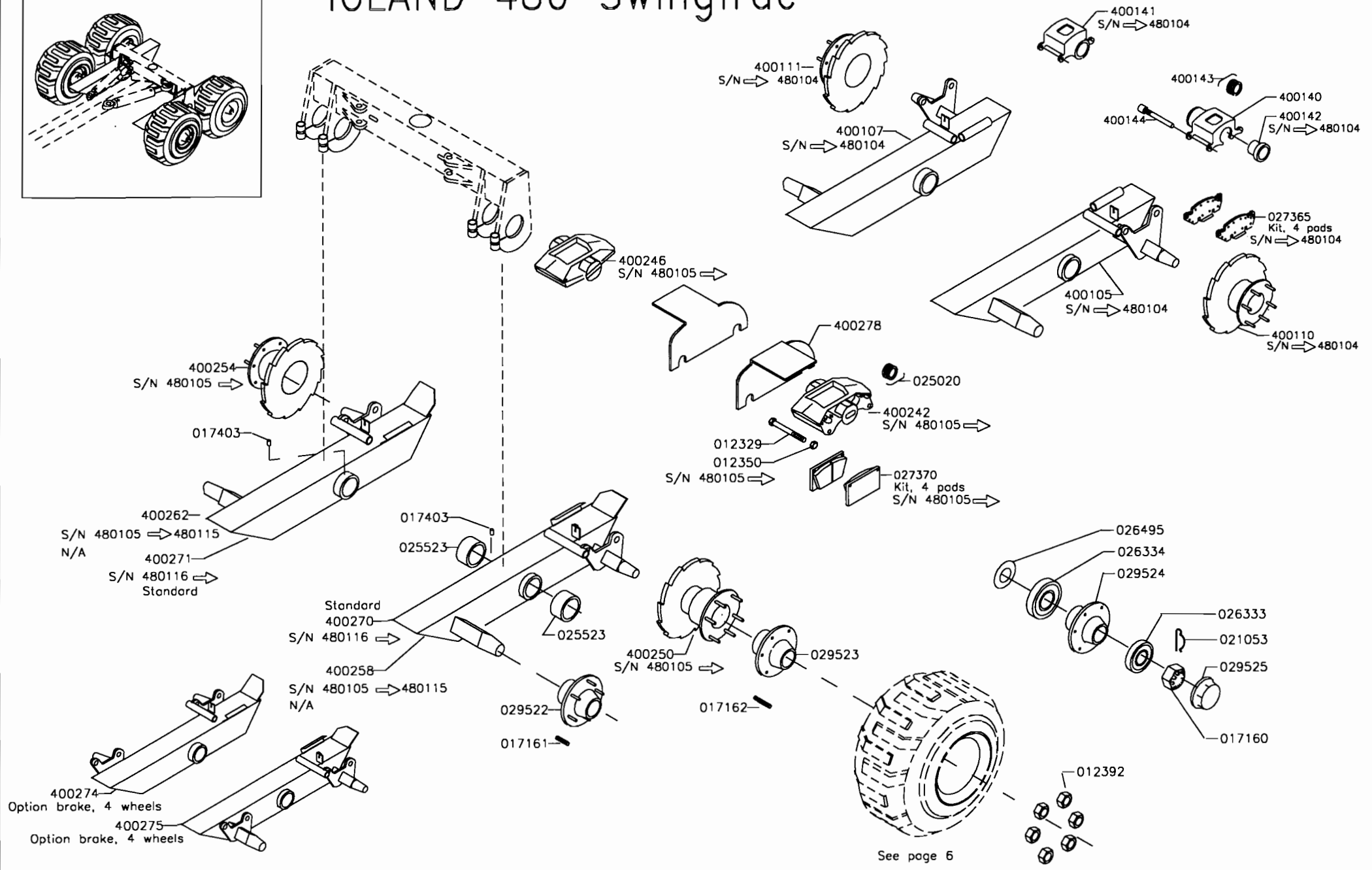
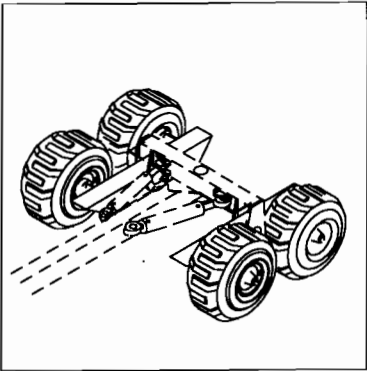
# IGLAND 480 Swingtrac



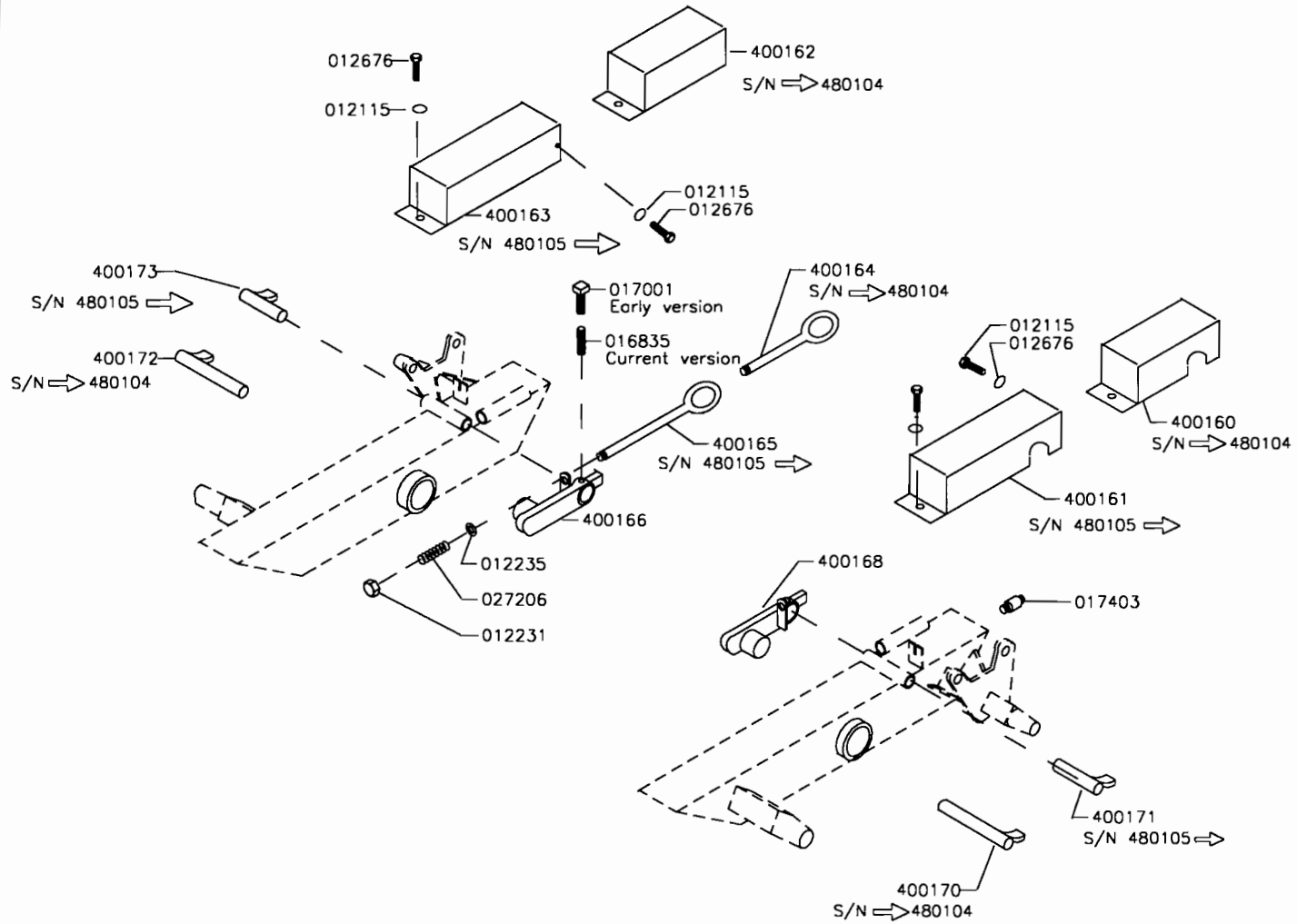
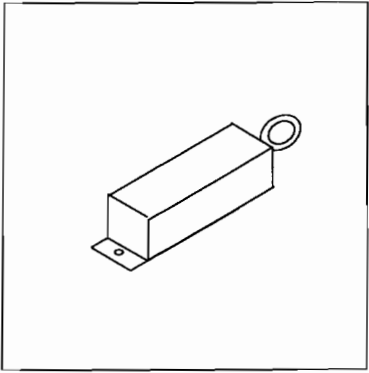
See page 3  
Standard

See page 11  
Hydraulic drive

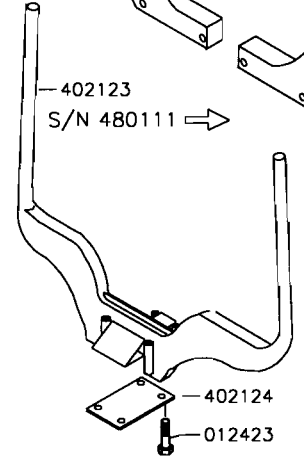
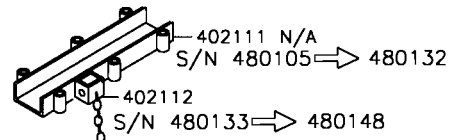
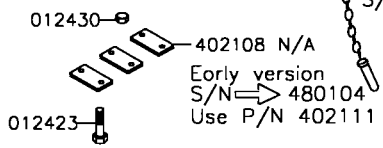
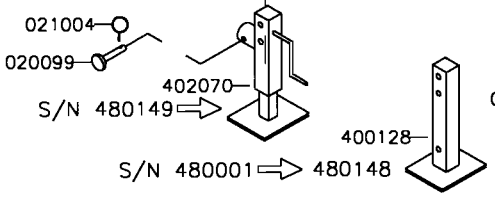
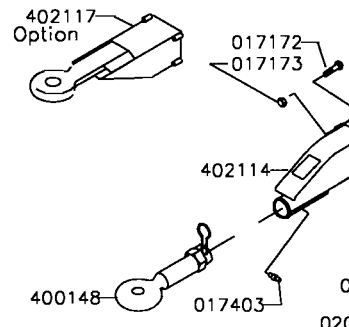
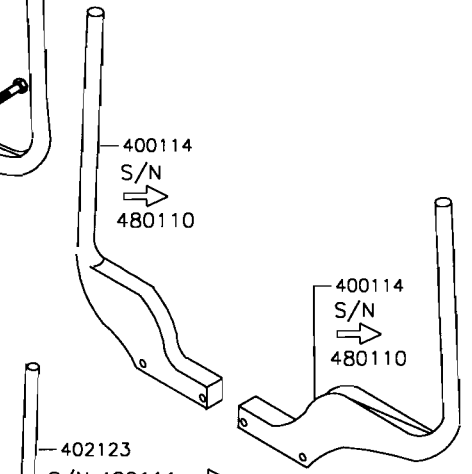
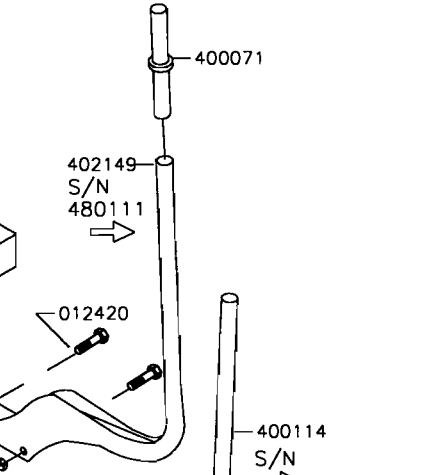
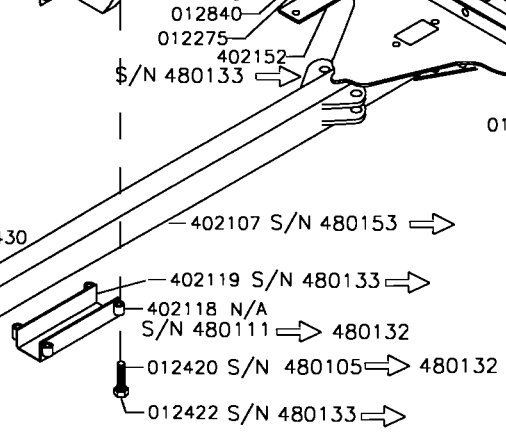
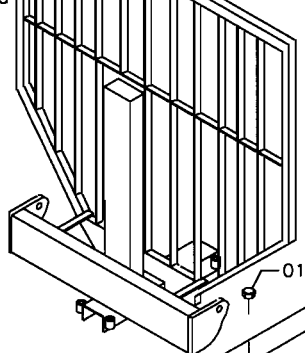
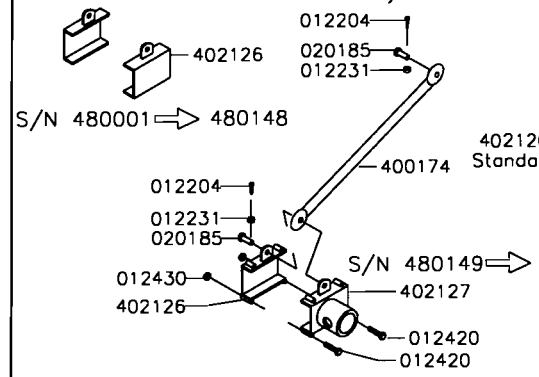
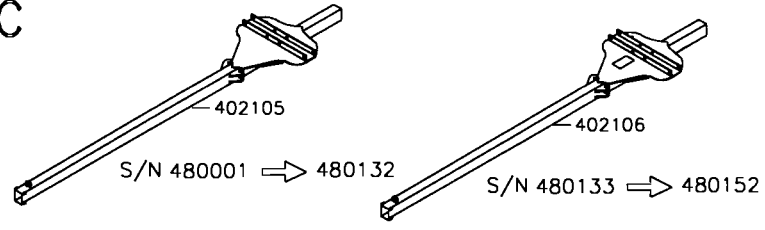
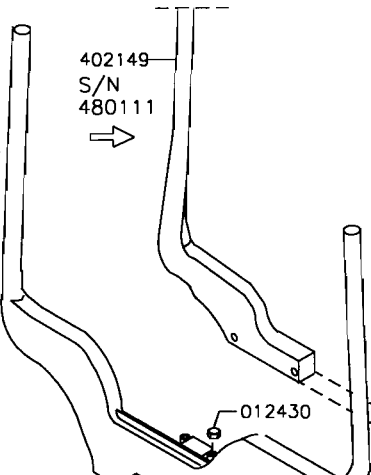
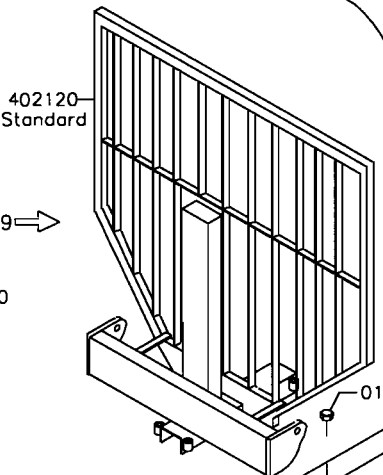
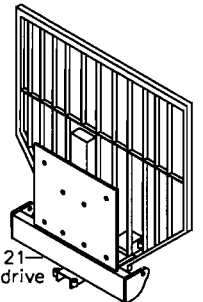
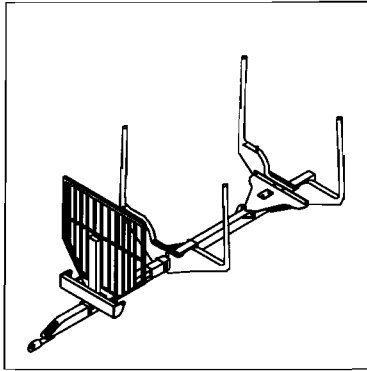
# IGLAND 480 Swingtrac



# IGLAND 480 Swingtrac



# IGLAND 480 Swingtrac



S/N 480001 → 480148

402121 Hydraulic drive

402145 S/N 480111

402149 S/N 480111

S/N 480001 → 480132

S/N 480133 → 480152

012204  
020185  
012231

402120 Standard

012204  
012231  
020185

S/N 480149 →

012430  
402126

012420  
012420

400174

012430

012840  
012275

402152 S/N 480133

017403

020099  
021004

402149 S/N 480111

012420

012430

400114 S/N 480110

402107 S/N 480153 →

402119 S/N 480133 →

402118 N/A S/N 480111 → 480132

012420 S/N 480105 → 480132

012422 S/N 480133 →

402117 Option

017172  
017173

400125 S/N 480149 →

012420 S/N 480105 → 480132  
012422 S/N 480133 →

402114

400148

017403

021004  
020099

402070 S/N 480149 →

400128

012423

012430  
402108 N/A  
Early version S/N → 480104  
Use P/N 402111

402111 N/A S/N 480105 → 480132

402112 S/N 480133 → 480148

402123 S/N 480111 →

400114 S/N 480110

402124

012423

S/N 480001 → 480148

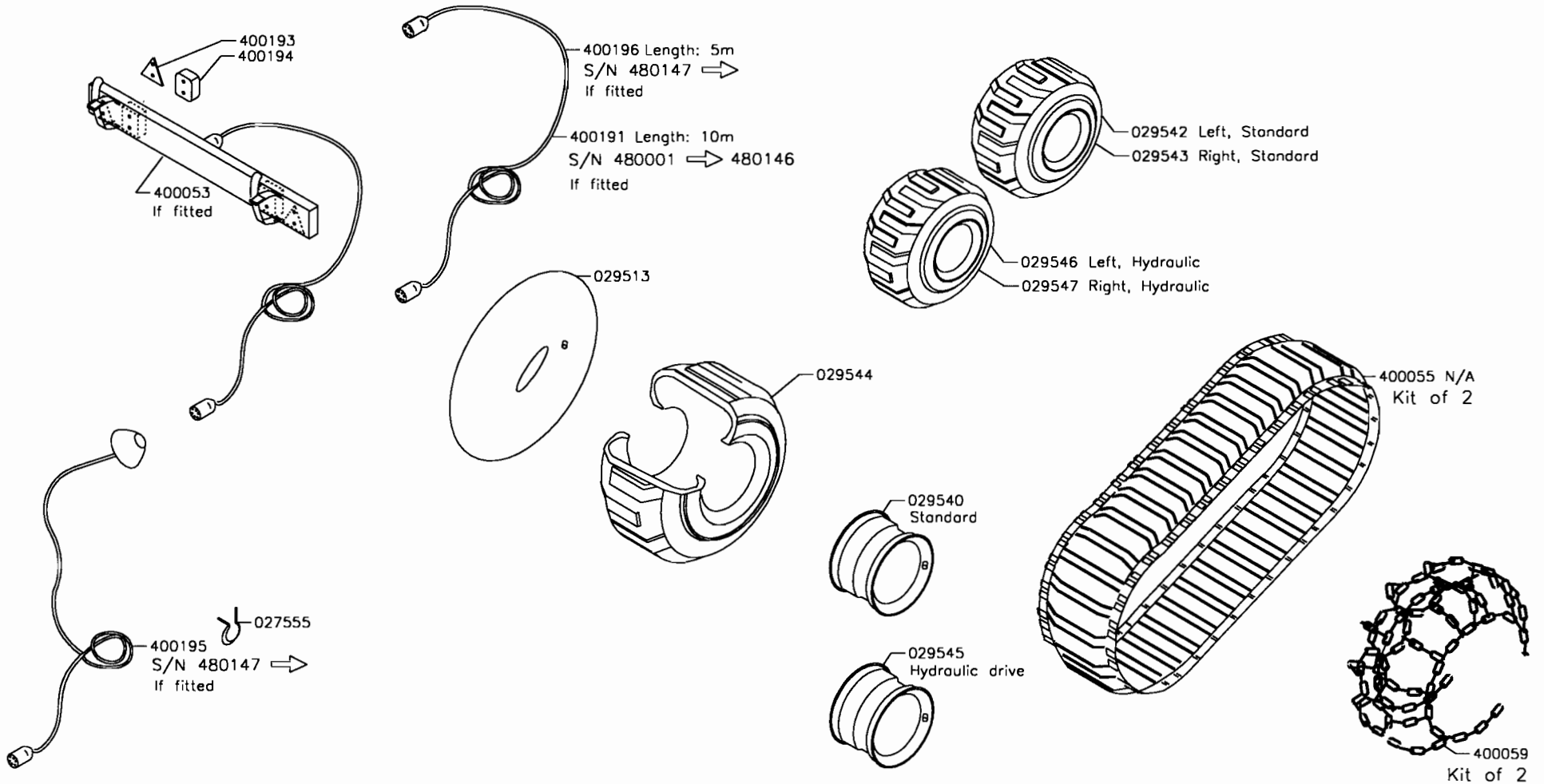
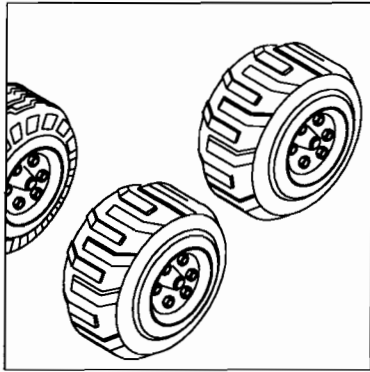
# IGLAND 480 Swingtrac

Wheels

Chains (Accessories): 400059

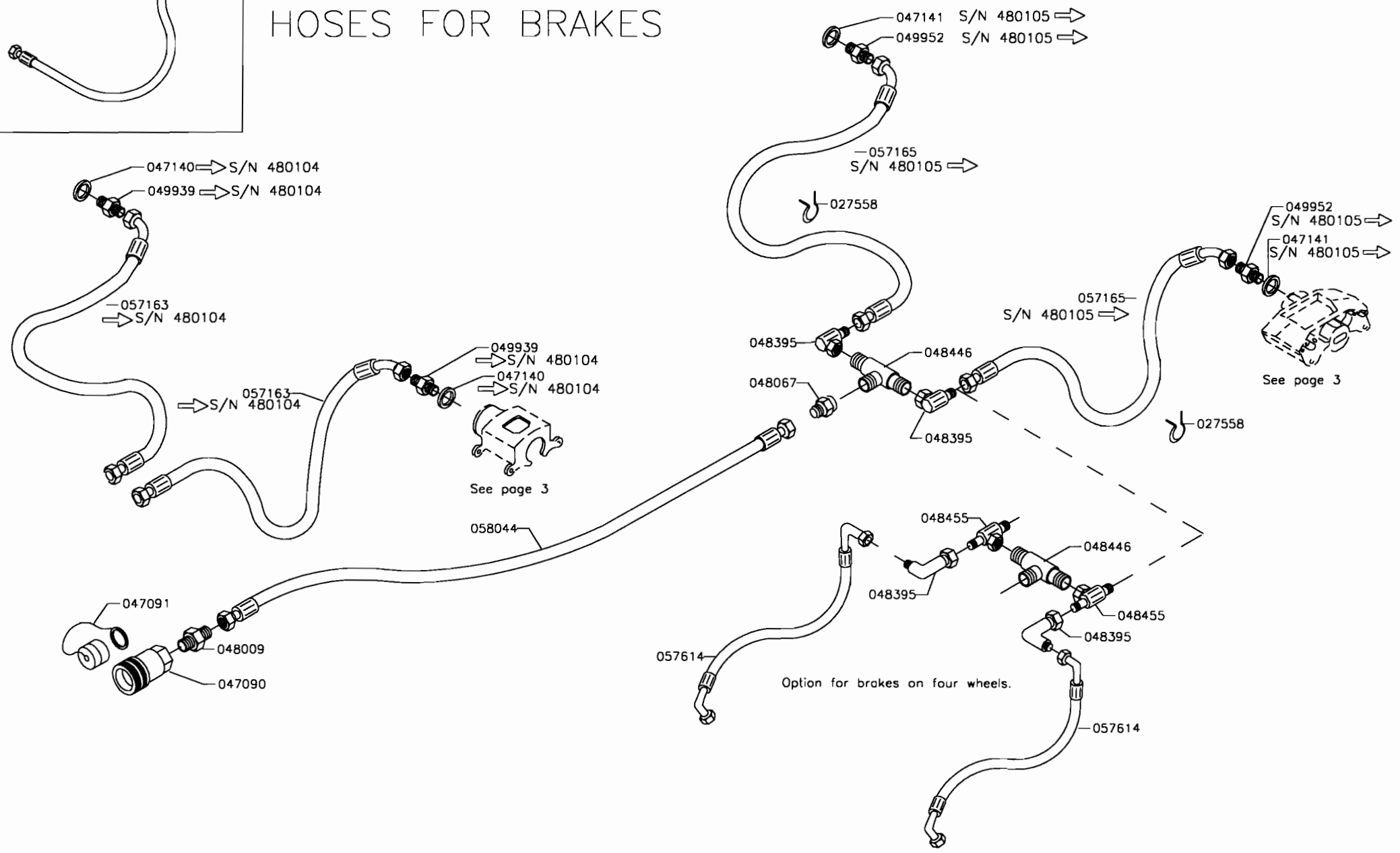
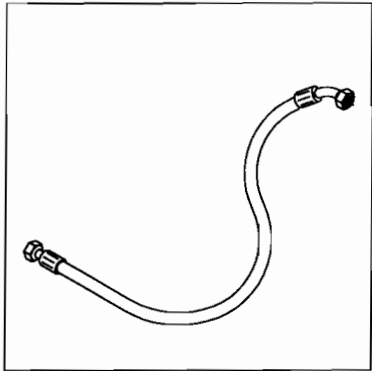
Belts (Accessories): 400054 N/A

Rear Light Bracket (Accessories): 400053



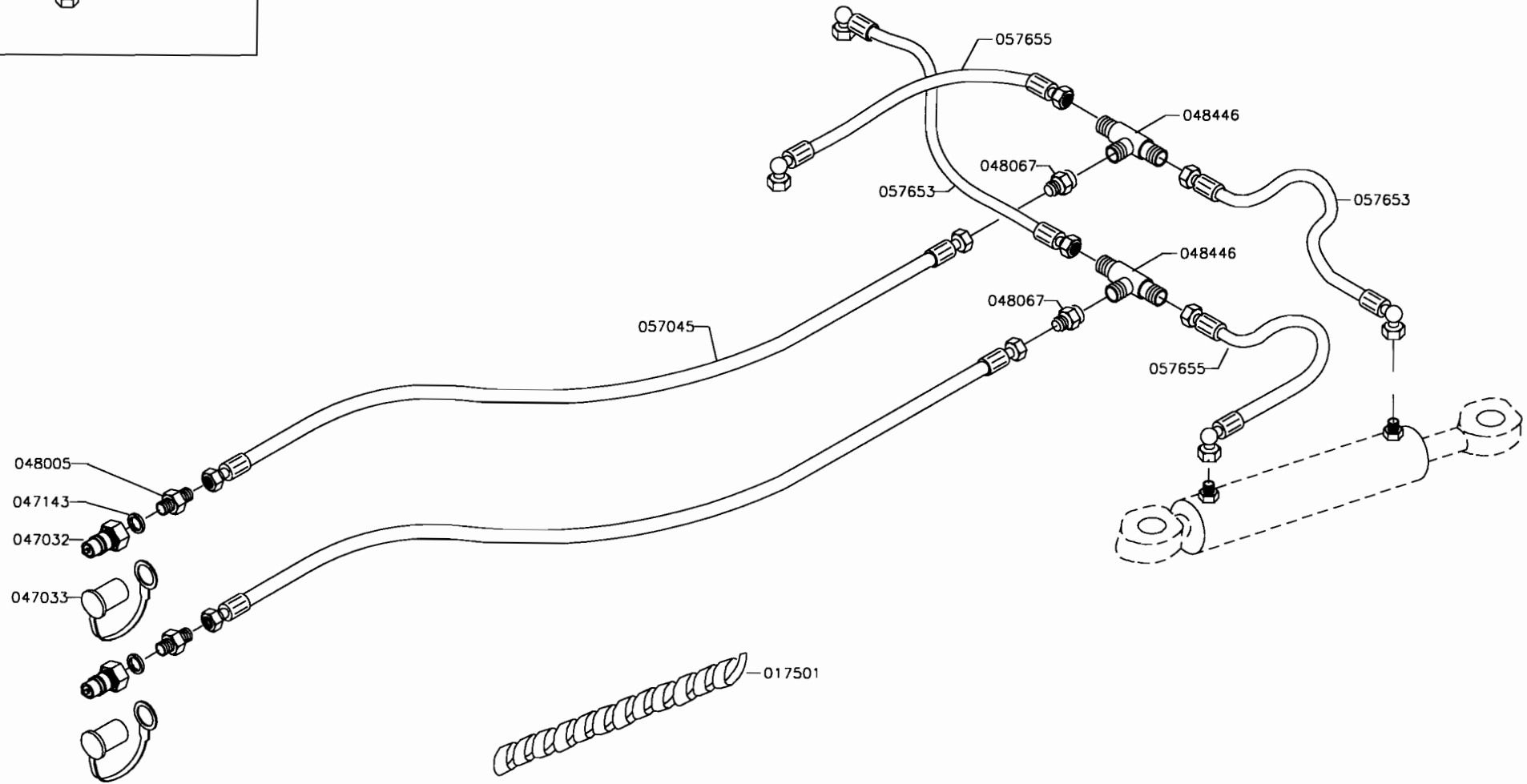
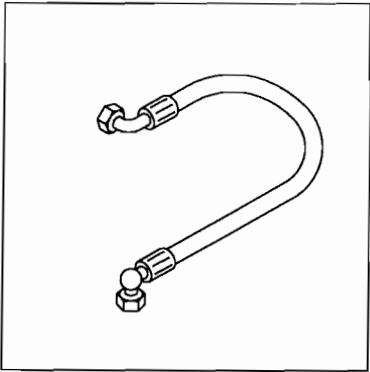
# IGLAND 480 Swingtrac

## HOSES FOR BRAKES

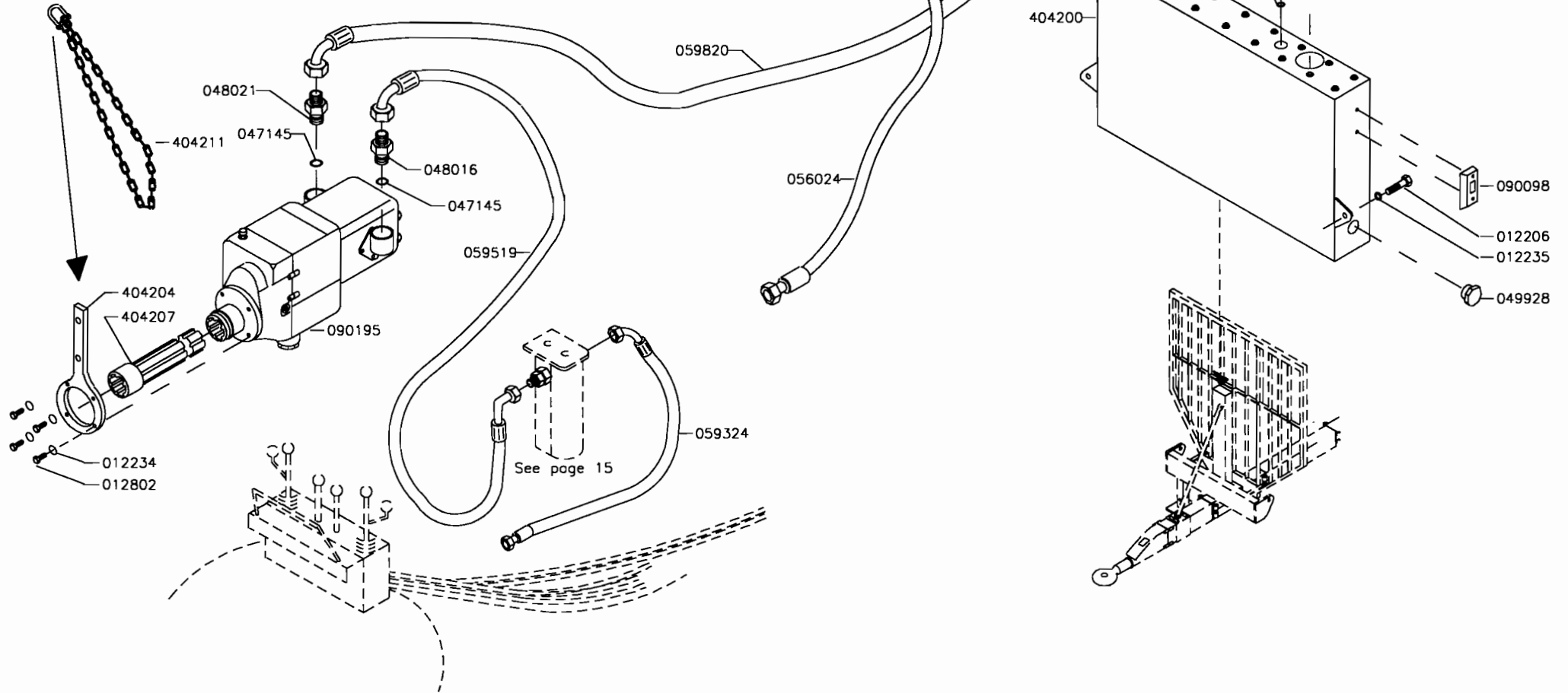
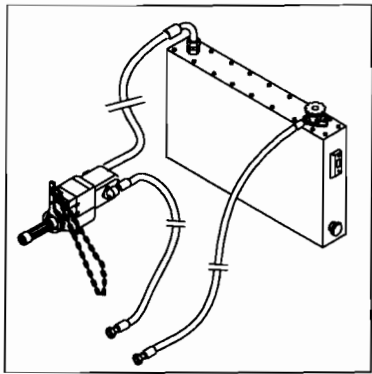


# IGLAND 480 Swingtrac

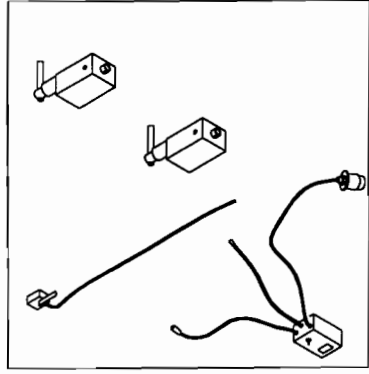
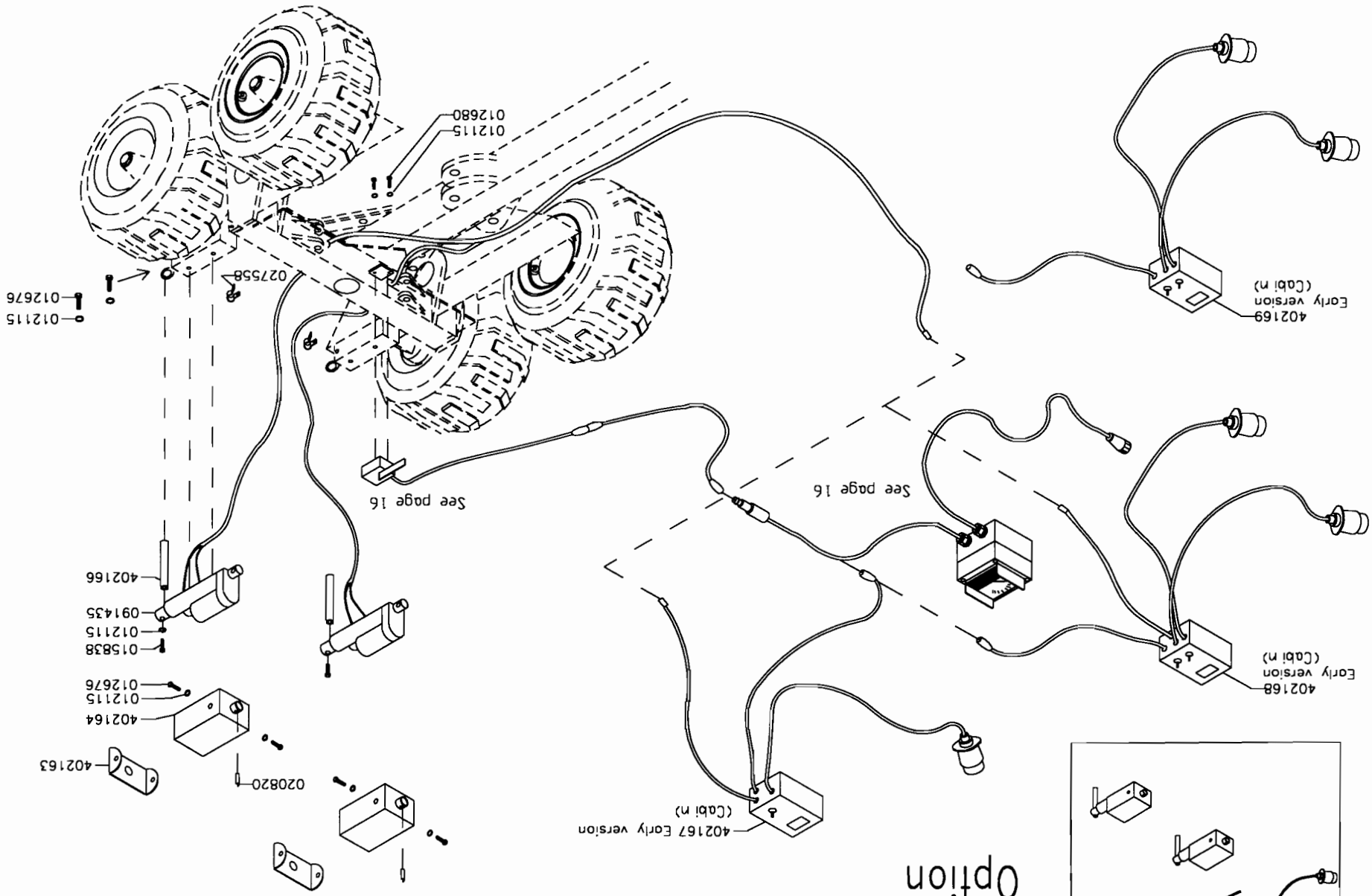
## HOSES FOR STEERING



# IGLAND 480 Swingtrac Oil Pump and Tank Option

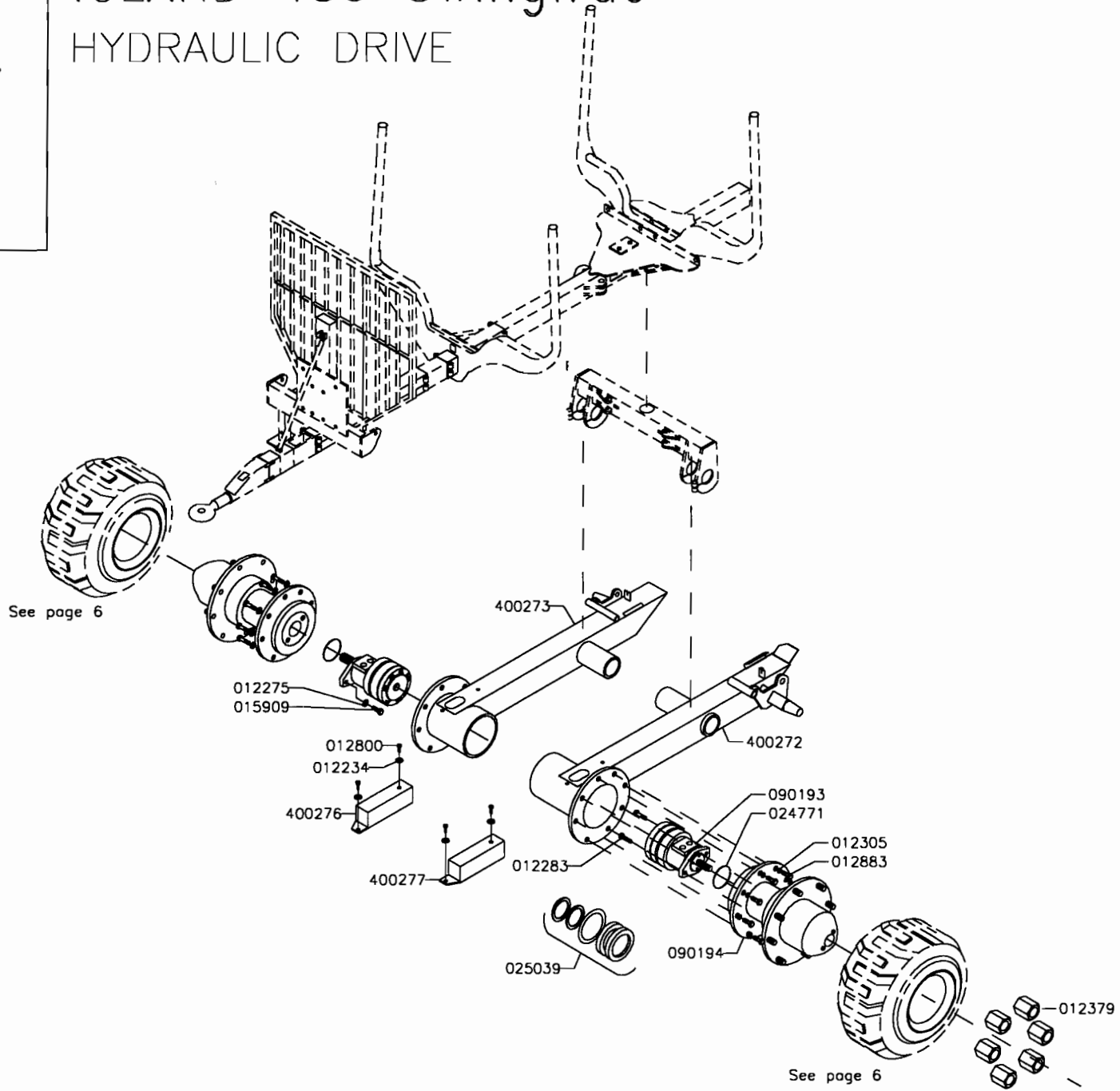
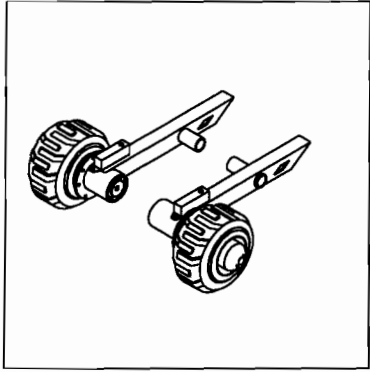


# IGLAND 480 Swingtrac Swing Actuator Option



# IGLAND 480 Swingtrac

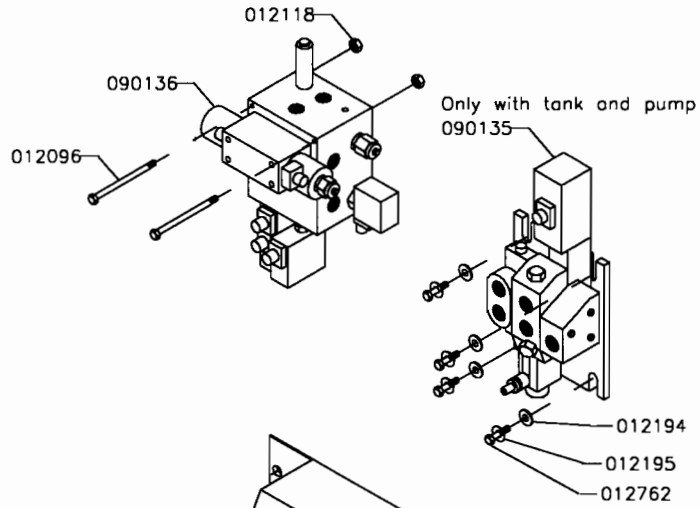
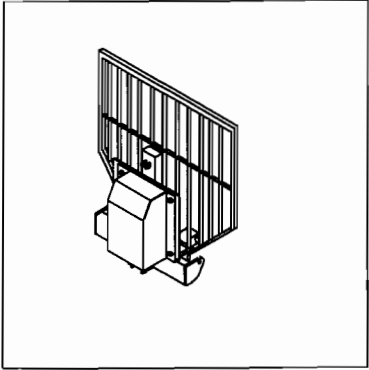
## HYDRAULIC DRIVE



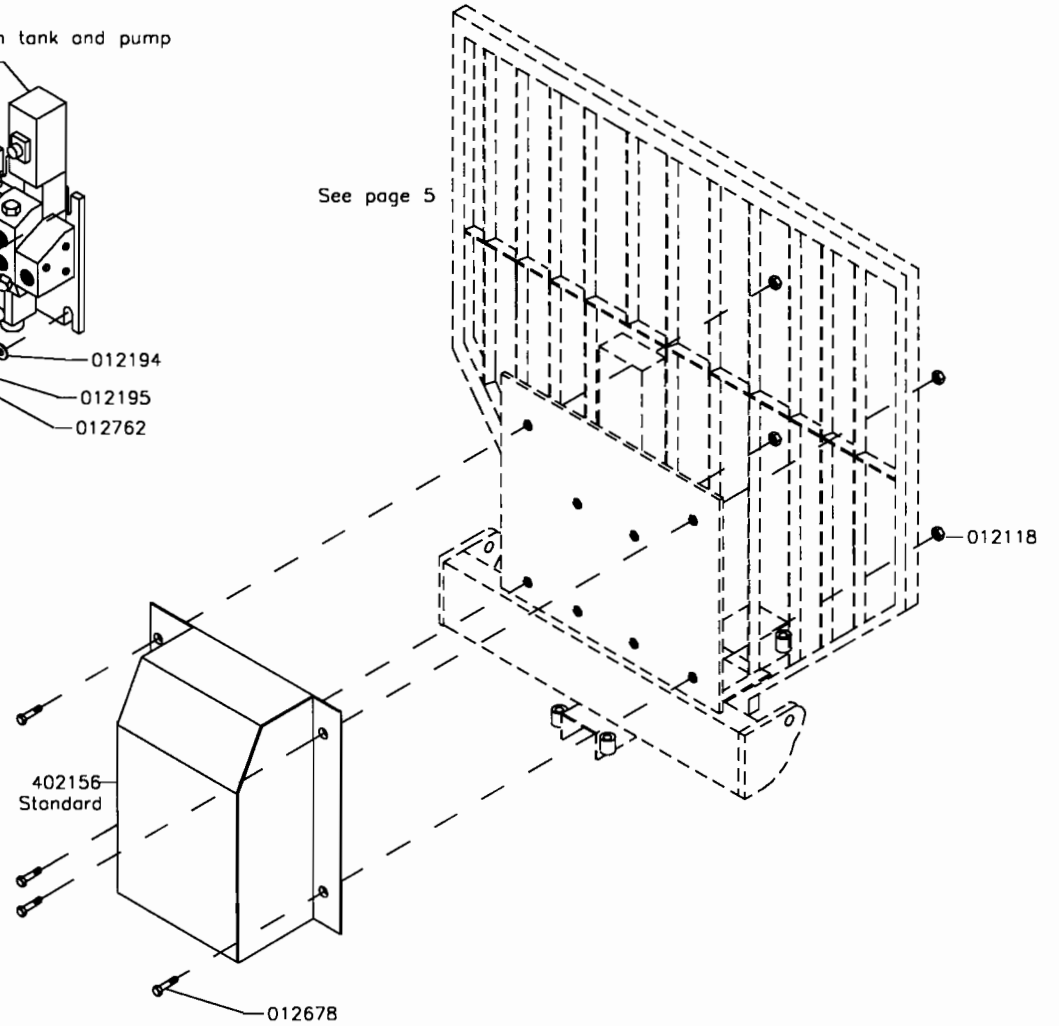
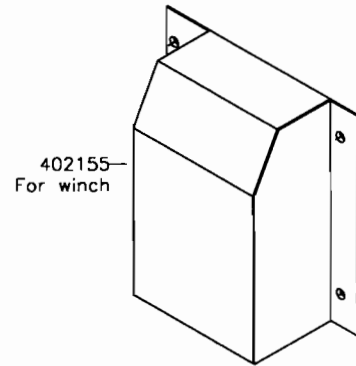


# IGLAND 480 Swingtrac

## VALVE FOR DRIVE

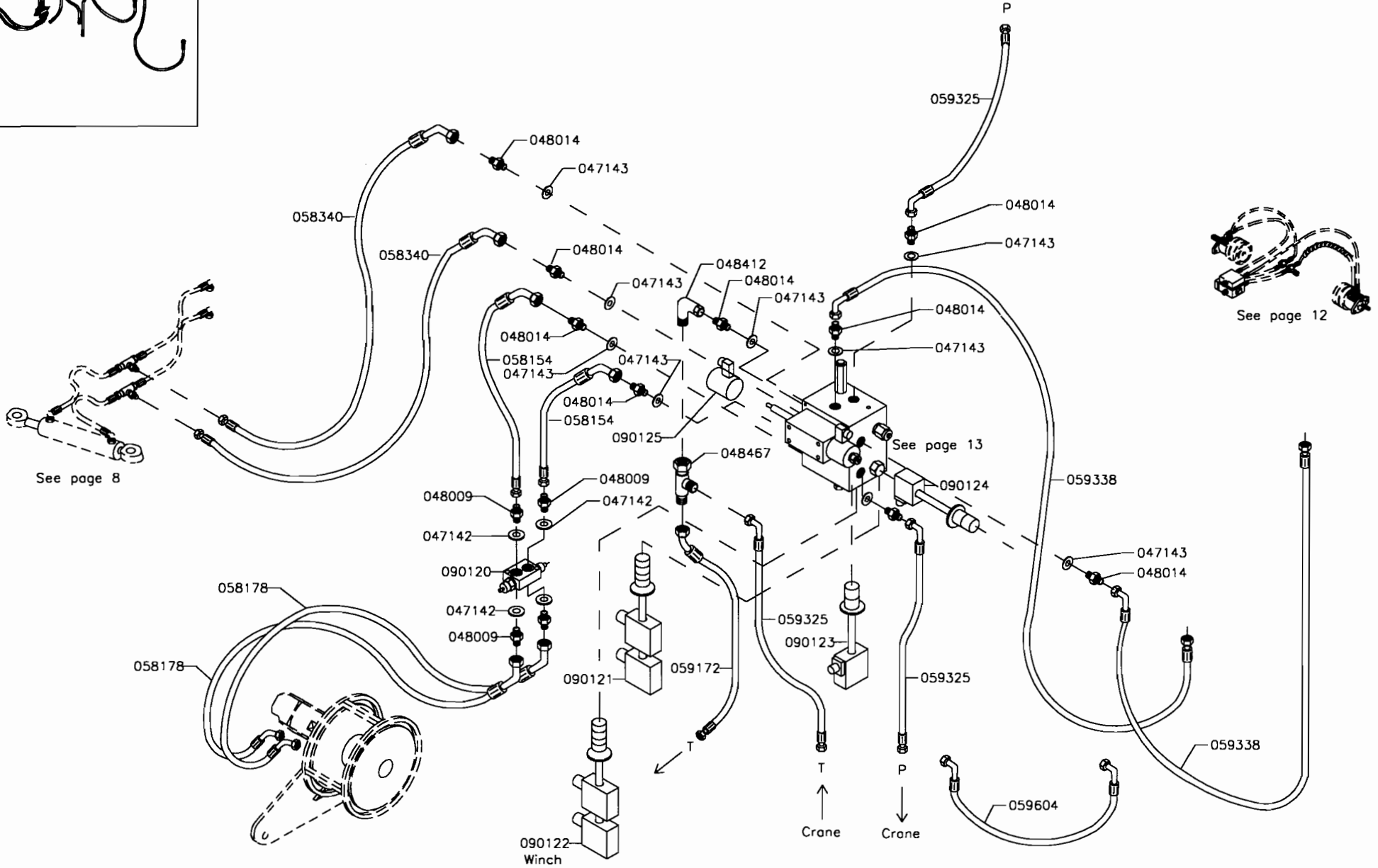
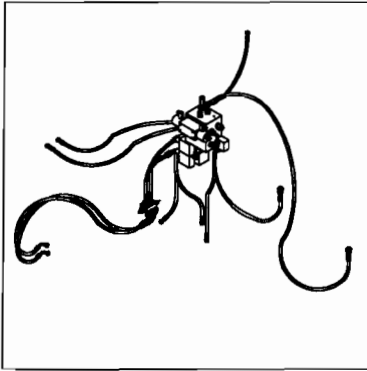


See page 5

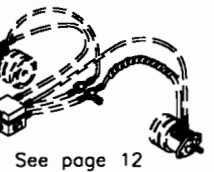


# IGLAND 480 Swingtrac

## HOSES



See page 8



See page 12

See page 13

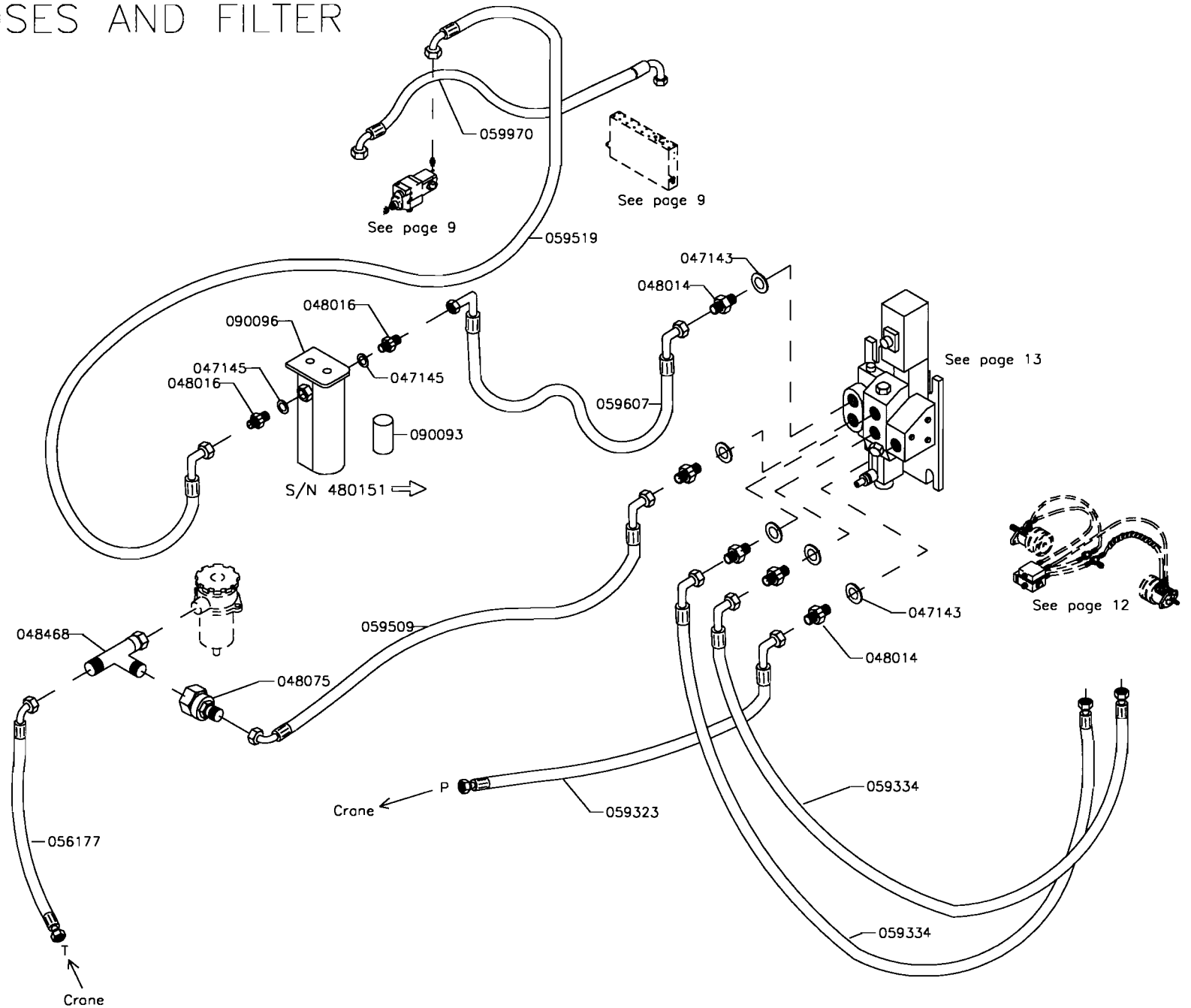
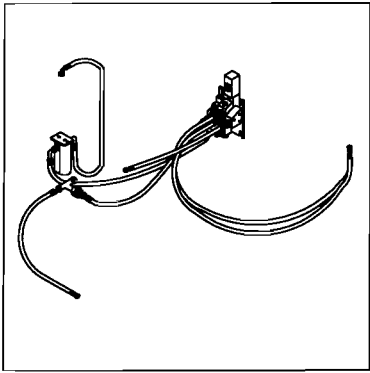
090122  
Winch

Crane

Crane

# IGLAND 480 Swingtrac

## HOSES AND FILTER



# IGLAND 480 Swingtrac

## CONTROL

