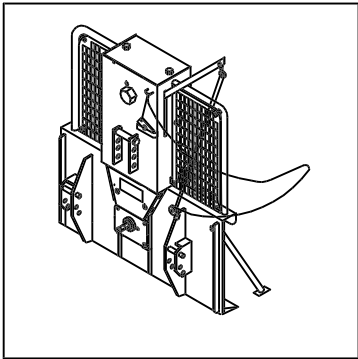
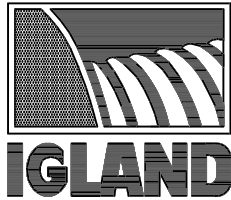


# IGLAND 5001, Parts Catalogue

Serial No.: 0001 →



**GENERAL INFO:**

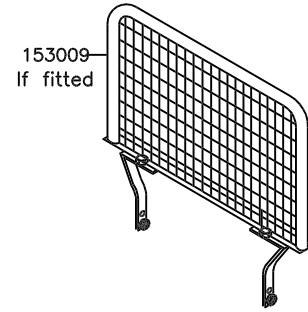
This Catalogue: P/N 390050

This Parts Catalogue consists of 12 numbered pages.

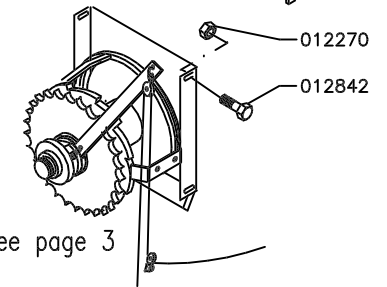
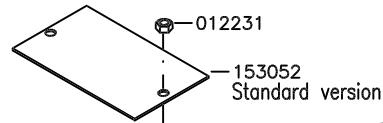
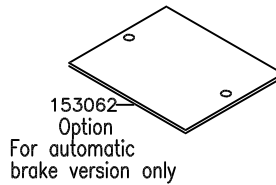
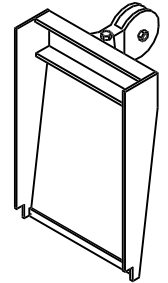
N/A: Not available

© IGLAND AS

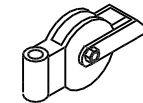
- Gjengivelse av tekst og tegninger uten tillatelse forbudt.
- Reproduction of text or illustrations without permission is prohibited.
- Eine Wiedergabe von Texten und Zeichnungen ohne unsere Genehmigung ist nicht gestattet.
- Interdiction de toute reproduction de textes ou d'illustrations sans autorisation préalable.



See page 5  
If fitted

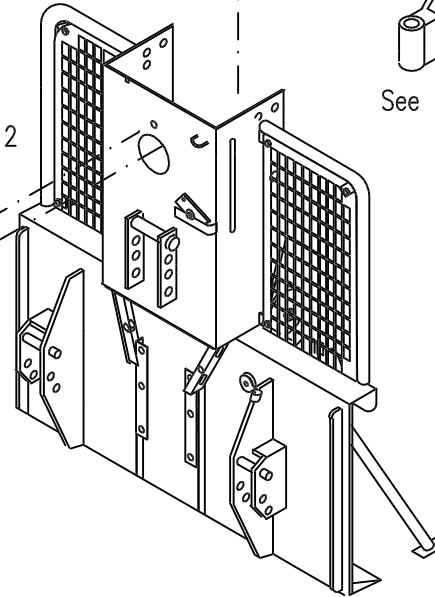


See page 3

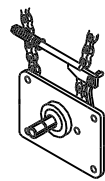
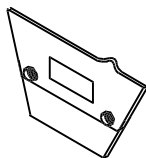
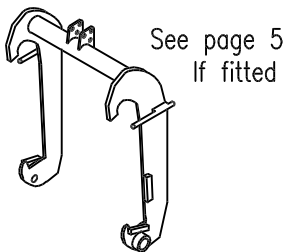
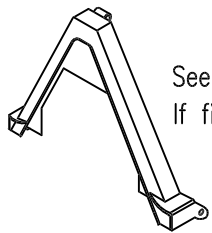
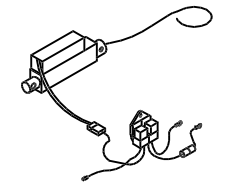
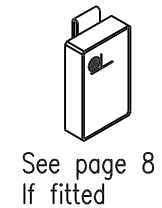
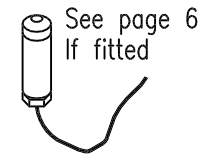
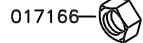


See page 2

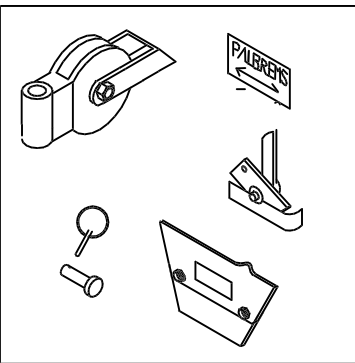
See page 2



See page 4

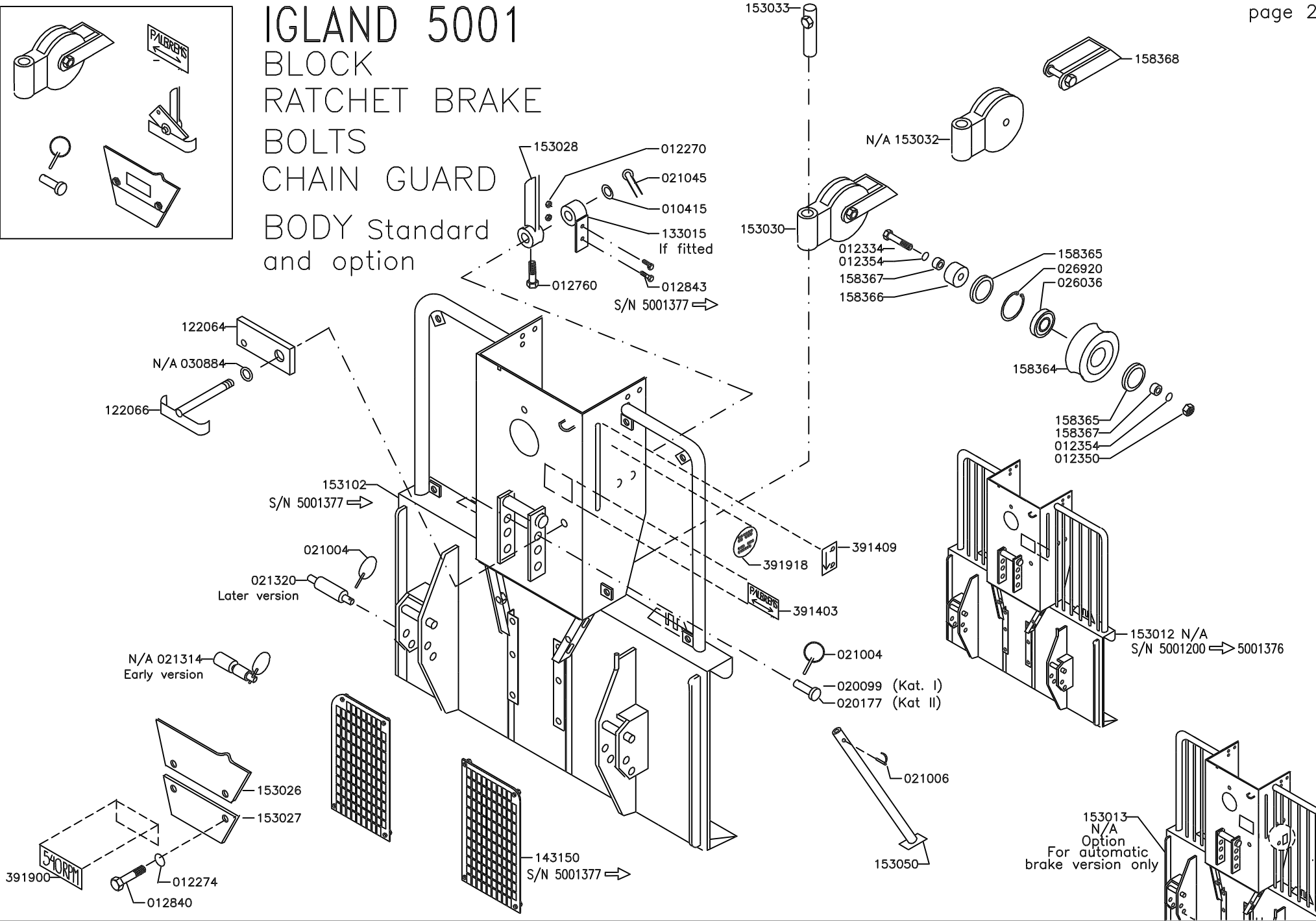


Approved:	Revised: T.K. 12.03.02
	Issued: AIS 27.08.96



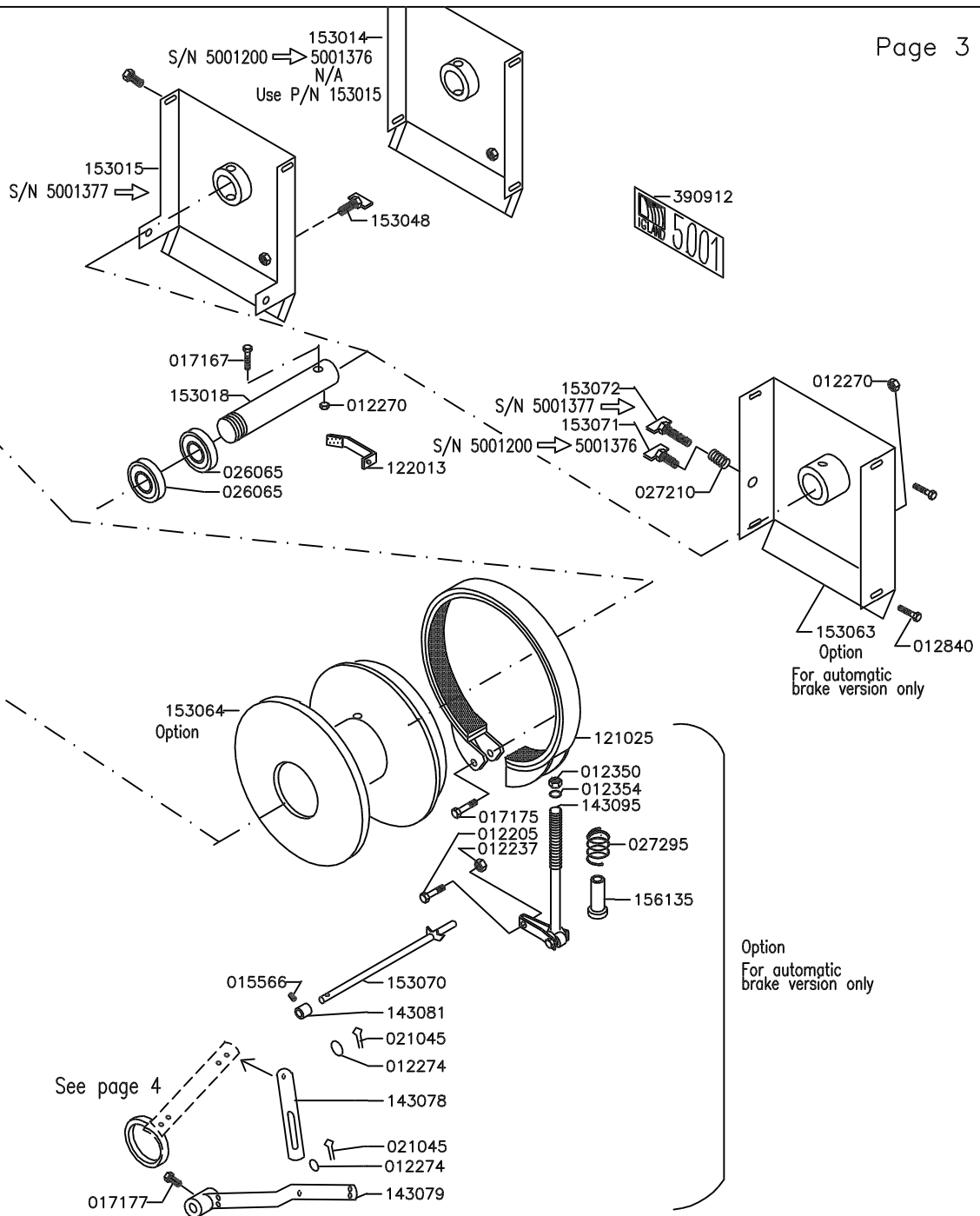
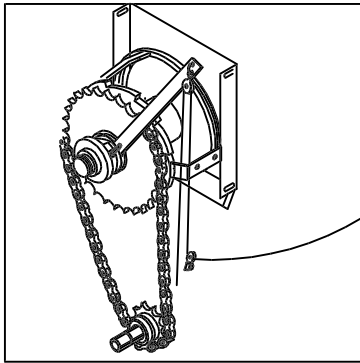
# IGLAND 5001

BLOCK  
RATCHET BRAKE  
BOLTS  
CHAIN GUARD  
BODY Standard  
and option



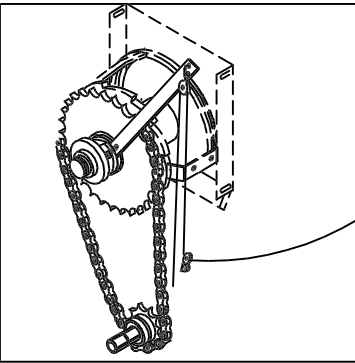
# IGLAND 5001

DRUM  
Standard  
and option



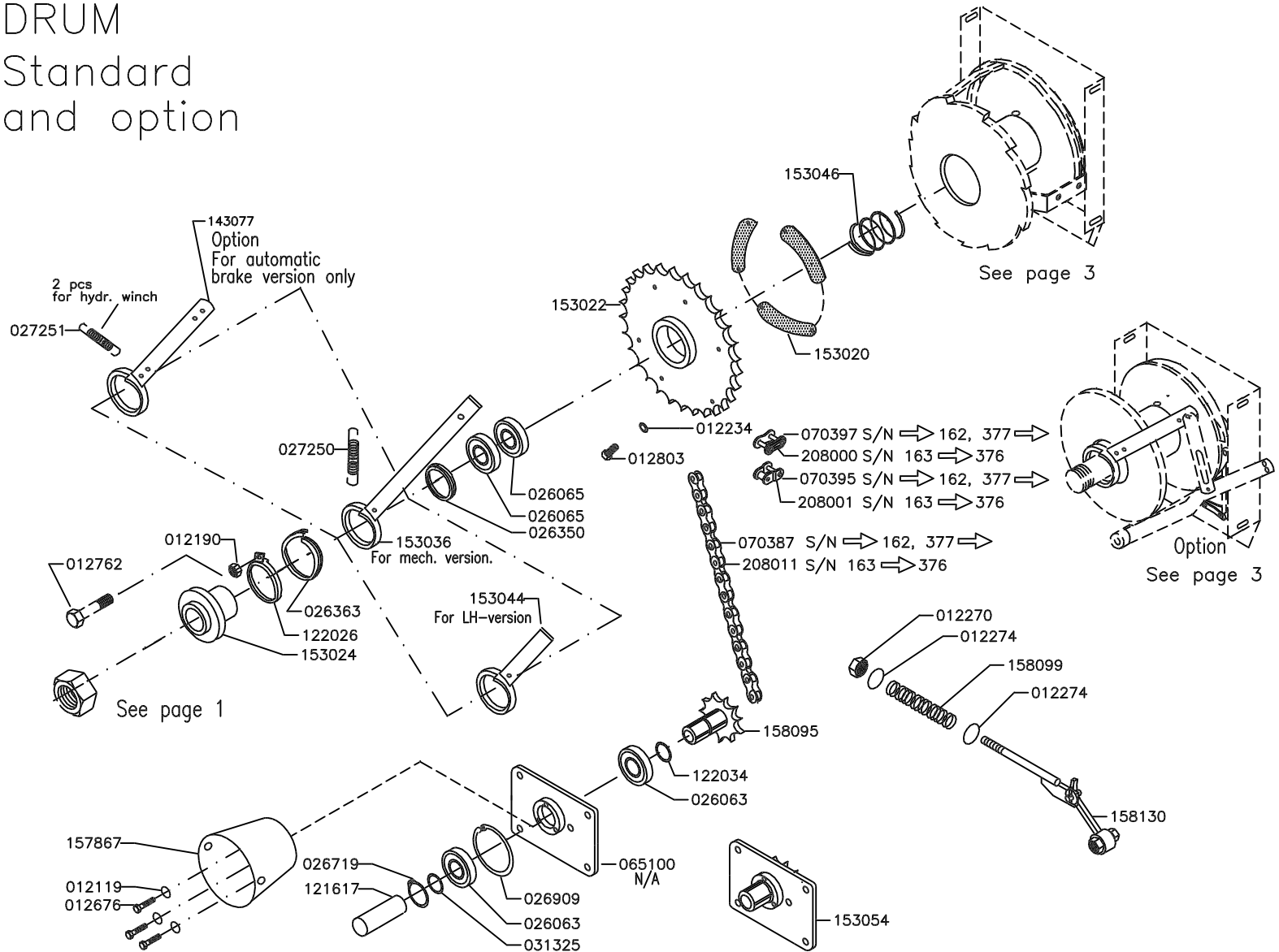
See page 4

See page 4



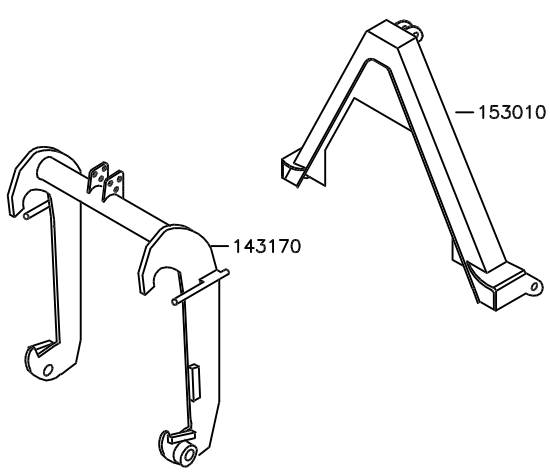
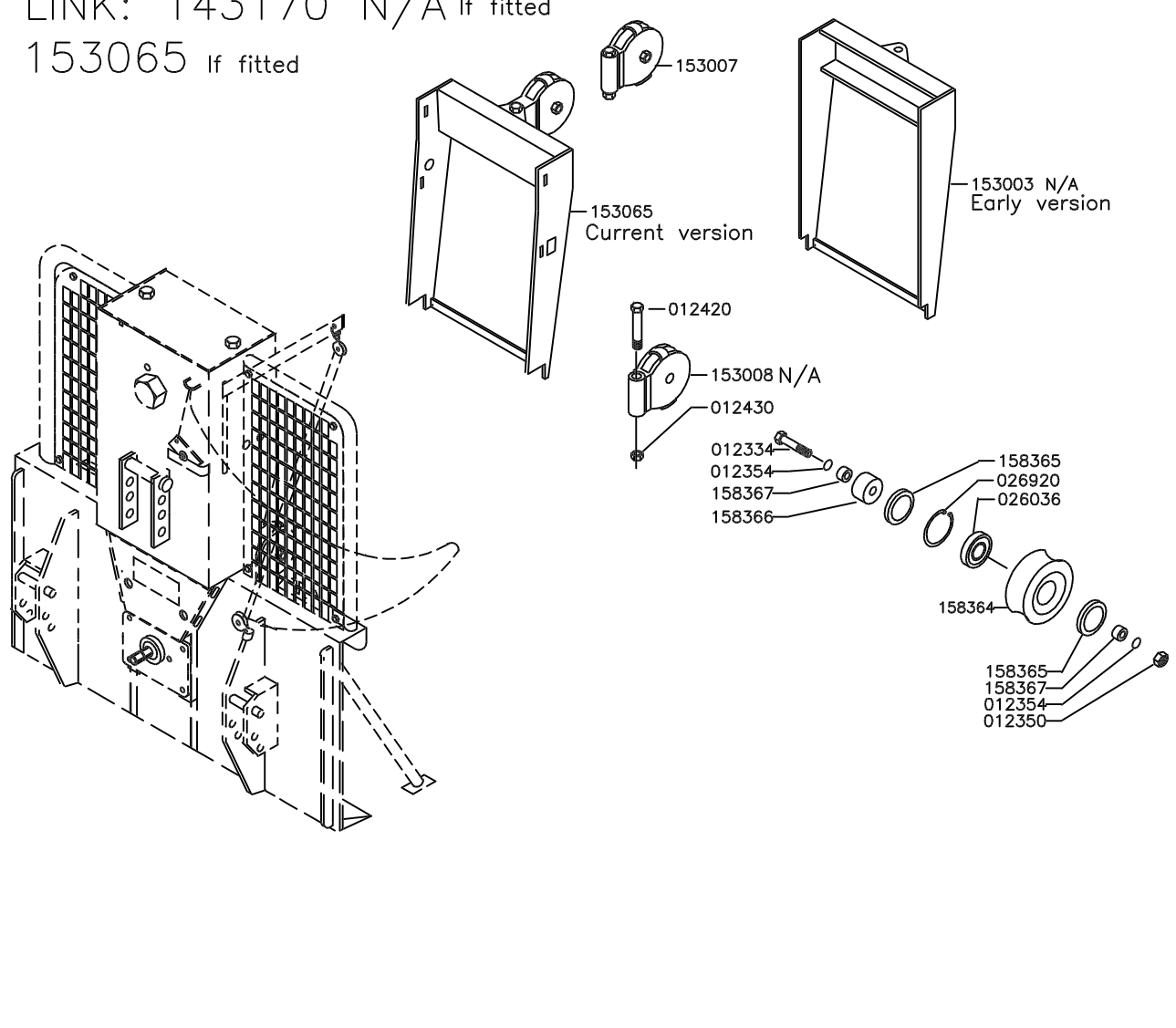
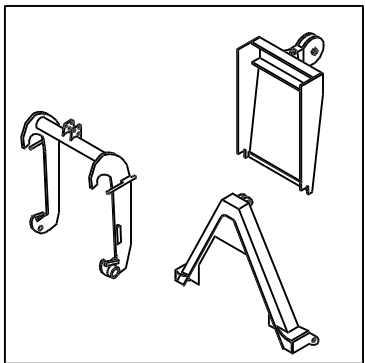
# IGLAND 5001

## DRUM Standard and option



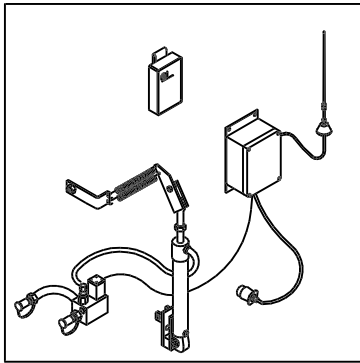
# IGLAND 5001

TRIANGEL SNAP LINK: 153010 If fitted  
"HMV" SNAP LINK: 143170 N/A If fitted  
TOP BLOCK: 153065 If fitted









# IGLAND 5001

RADIO REMOTE CONTROL KIT, C/W HYDRAULICS: 095230  
 RADIO REMOTE CONTROL KIT,  
 WITHOUT HYDRAULICS: 095232

Additional price for 4 ch. transmitter/receiver

Add. price for frequency for Germany, Austria, Switzerland

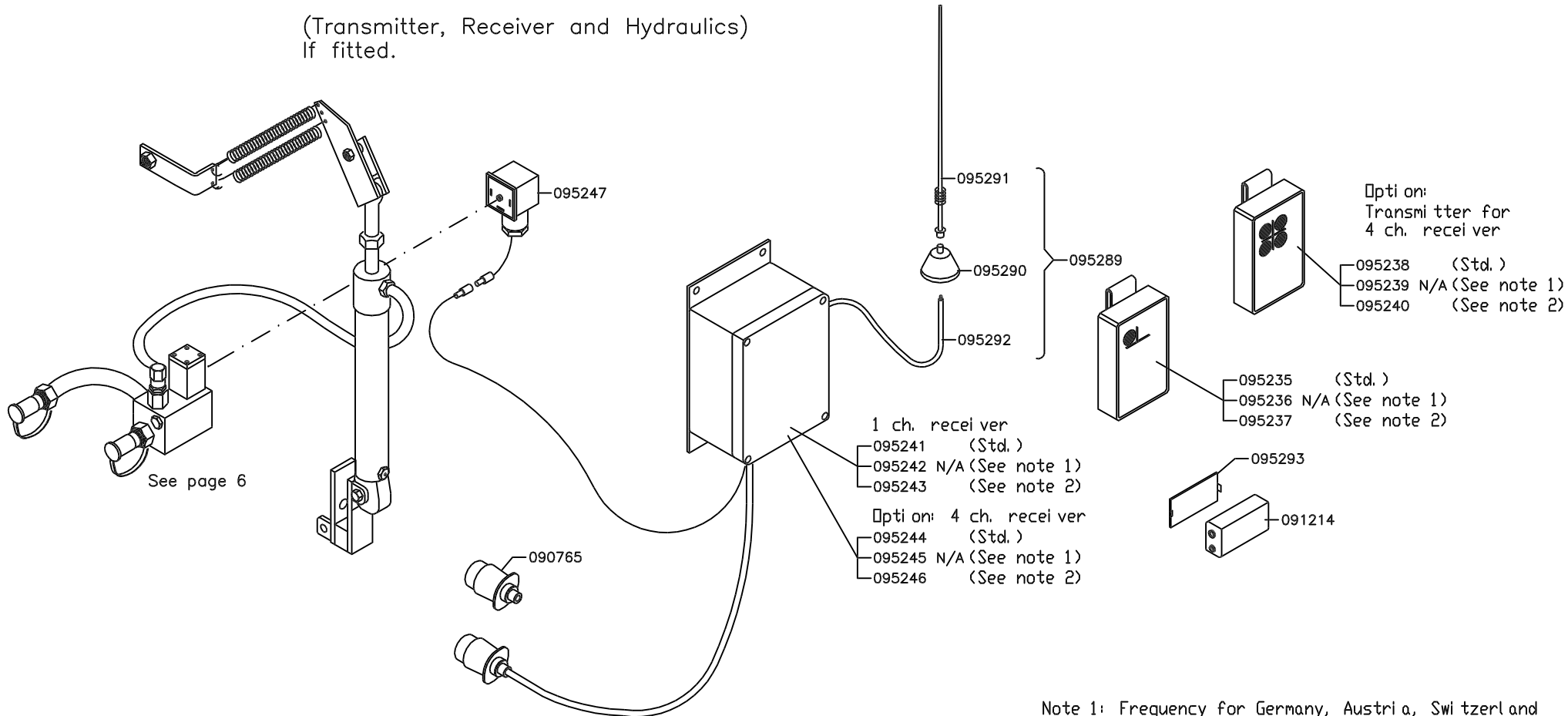
Add. price for frequency for Great Britain

- 095231

- 091162 N/A

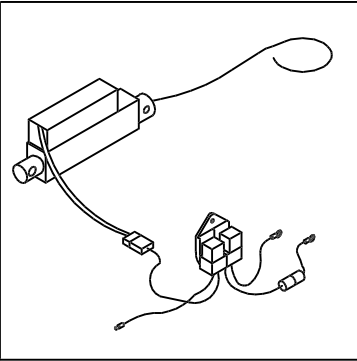
- 091163

(Transmitter, Receiver and Hydraulics)  
 If fitted.



Note 1: Frequency for Germany, Austria, Switzerland  
 Note 2: Frequency for Great Britain

# IGLAND 5001



RPM ACTUATOR, compl.: 091442

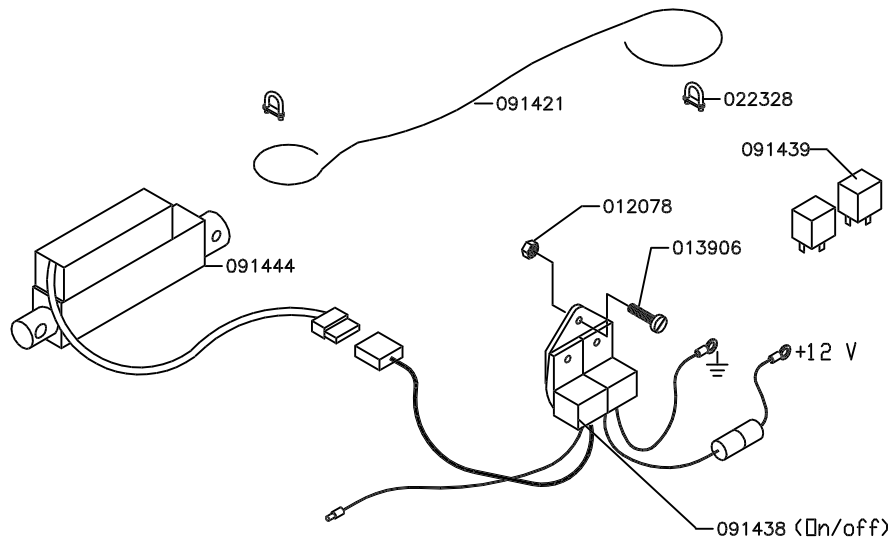
On/off function

RPM ACTUATOR, compl.: 091443

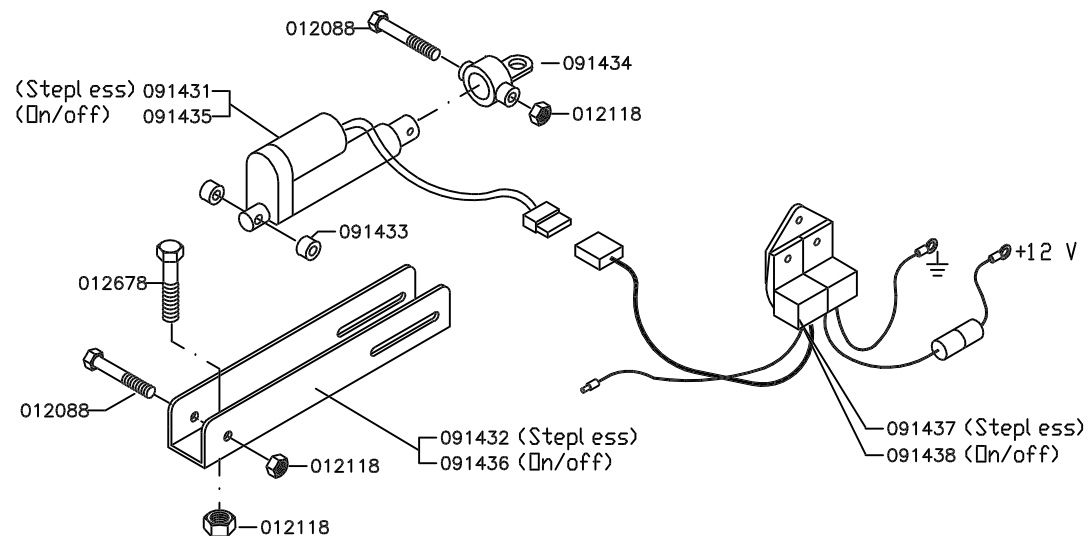
Stepless function.

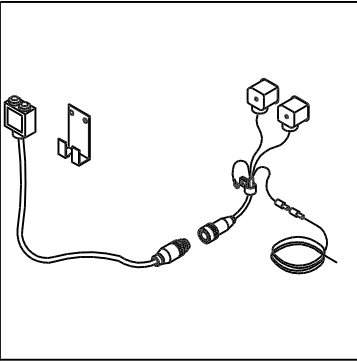
If fitted.

Later version



Early version

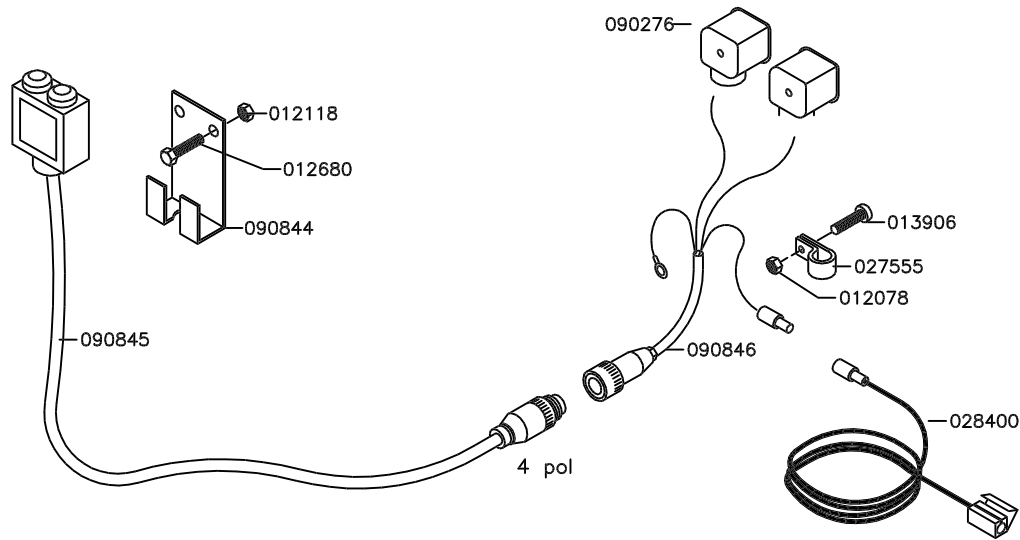




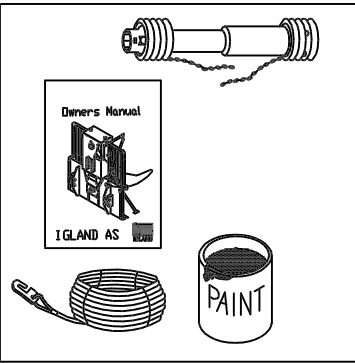
# IGLAND 5001

## ELECTROHYDRAULIC CONTROL

Electrical components  
For automatic brake version only



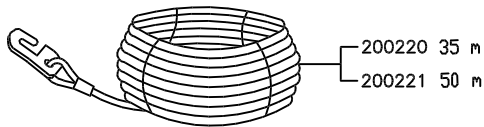
+12 V from  
'ignition switch'  
(Use a 8A fuse)  
See service manual.



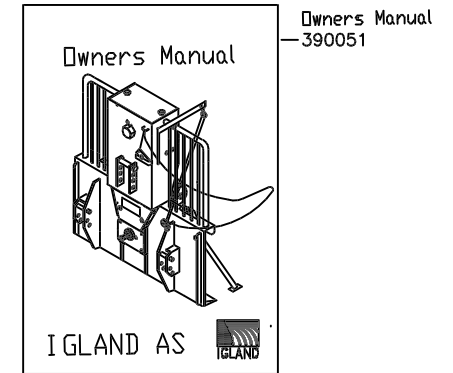
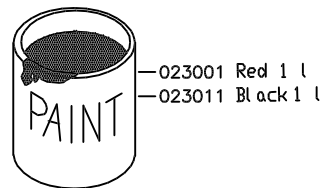
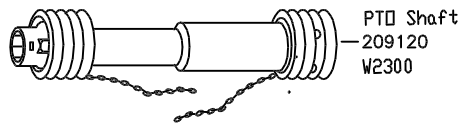
# IGLAND 5001

## Miscellaneous

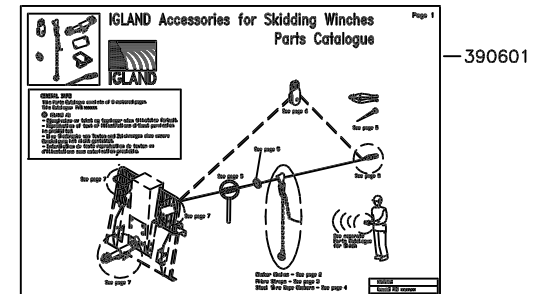
WIRE ROPE, 6x26WS+IWRC 180 kp, 11 mm



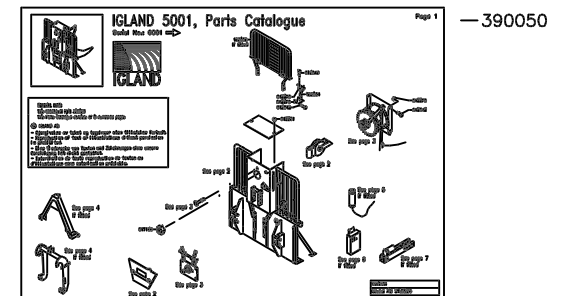
WIRE ROPE, according to ISO 4254-4



Parts Catalogue  
Accessories for Ski dding Winches



Parts Catalogue  
IGLAND 5001



(Intentionally blank)