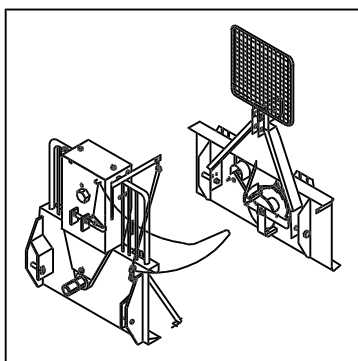
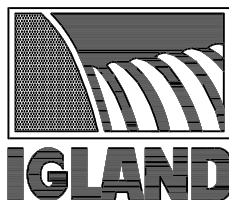


# IGLAND 2601, IGLAND 3001, Parts Catalogue

Serial No.: 001 →



## GENERAL INFO:

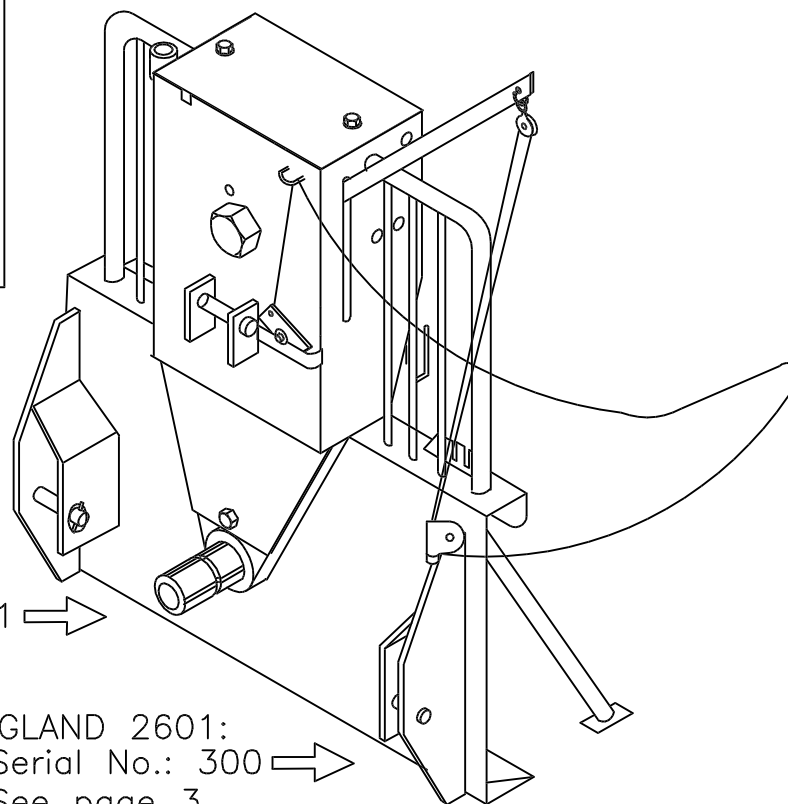
This Parts Catalogue consists of 16 numbered pages.

This Catalogue: P/N 390004

N/A: Not Available

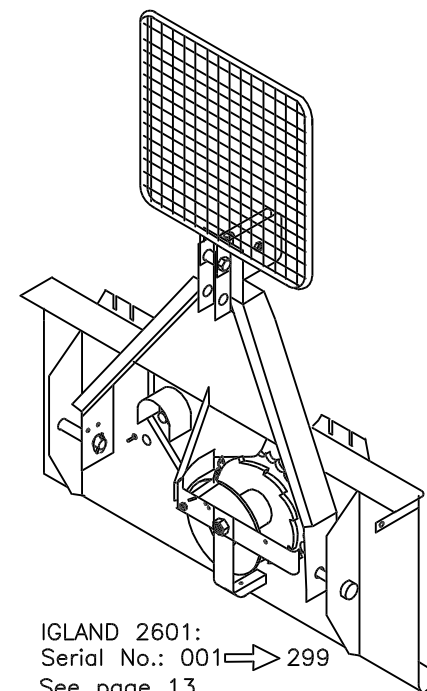
© IGLAND AS

- Gjengivelse av tekst og tegninger uten tillatelse forbudt.
- Reproduction of text or illustrations without permission is prohibited.
- Eine Wiedergabe von Texten und Zeichnungen ohne unsere Genehmigung ist nicht gestattet.
- Interdiction de toute reproduction de textes ou d'illustrations sans autorisation préalable.



IGLAND 3001:  
Serial No.: 001 →  
See page 3

IGLAND 2601:  
Serial No.: 300 →  
See page 3



IGLAND 2601:  
Serial No.: 001 → 299  
See page 13

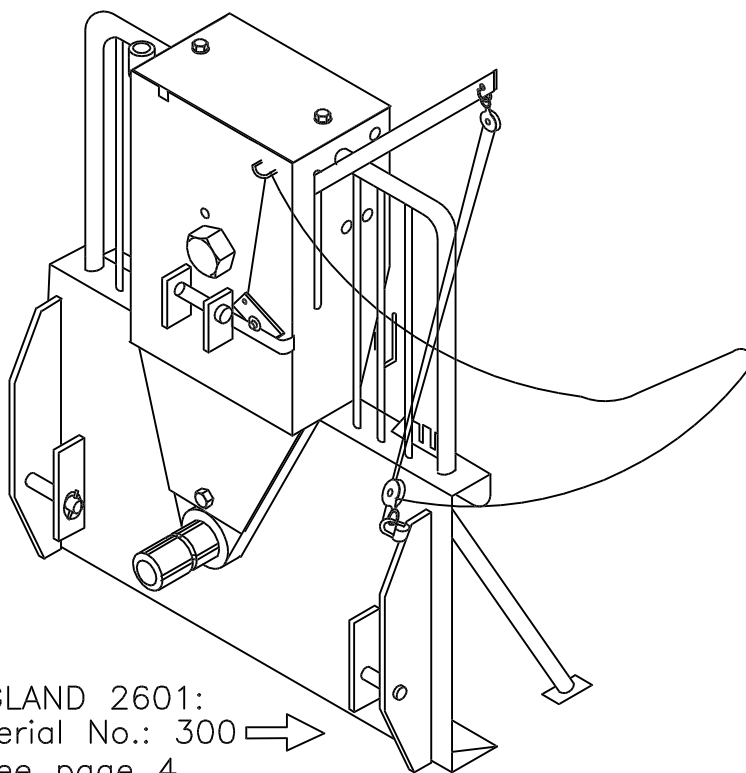
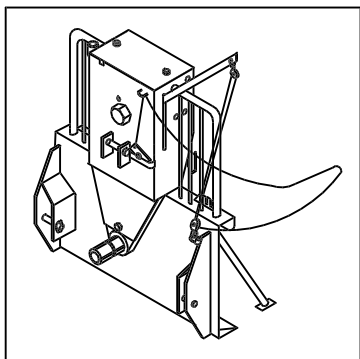
Approved:	Revised: øi 02.02.05
	Issued: AIS 20.01.93

(Intentionally blank)

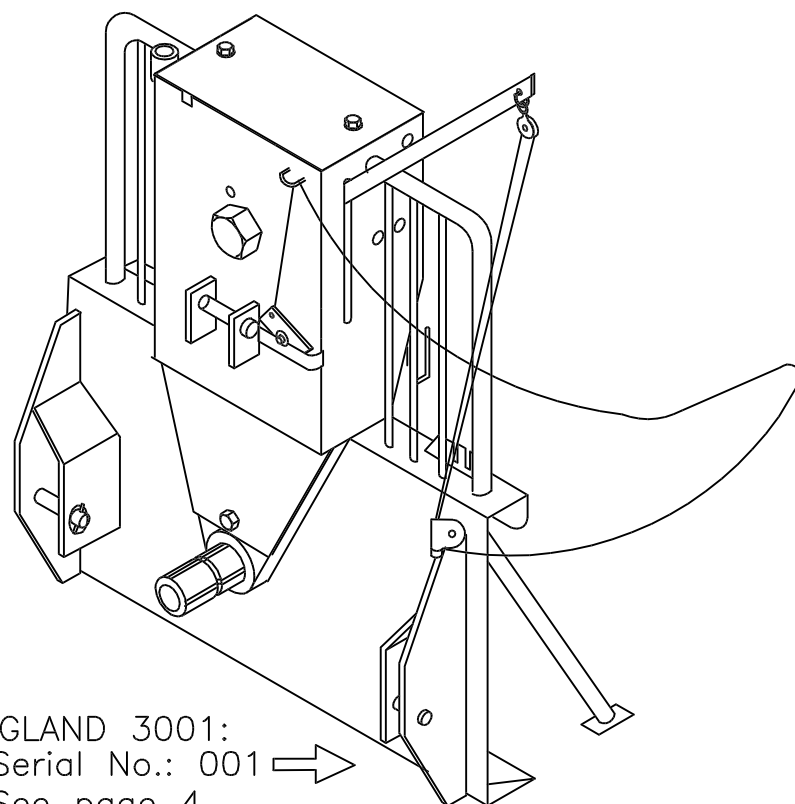
# IGLAND 2601, IGLAND 3001

IGLAND 2601: Serial No.: 300 →

IGLAND 3001: Serial No.: 001 →



IGLAND 2601:  
Serial No.: 300 →  
See page 4

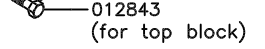
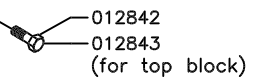
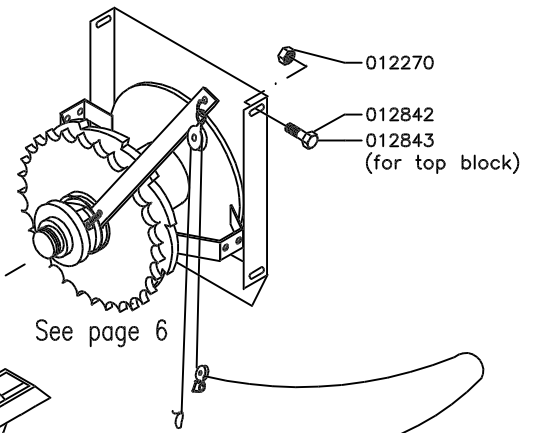
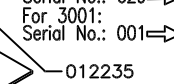
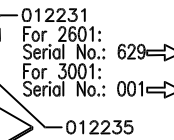
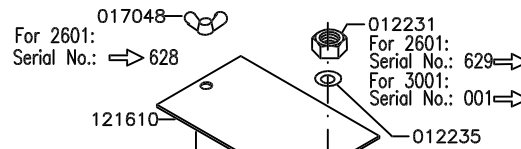
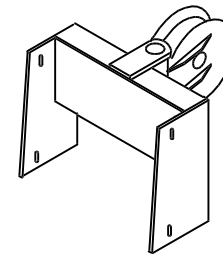
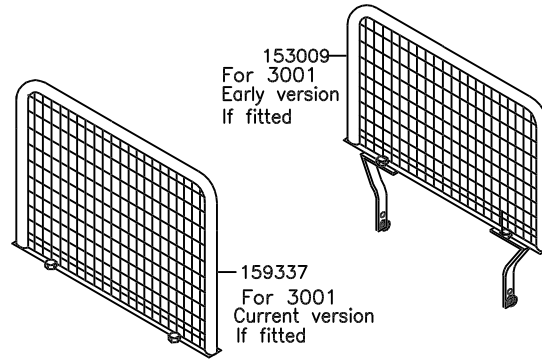
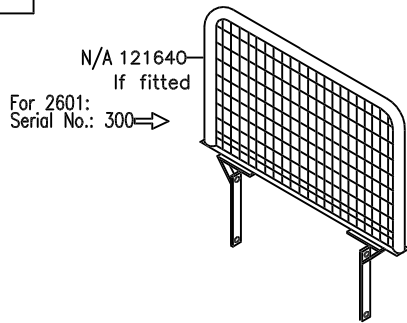
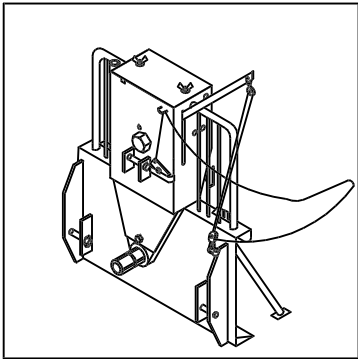


IGLAND 3001:  
Serial No.: 001 →  
See page 4

# IGLAND 2601, IGLAND 3001

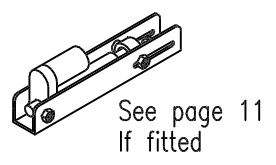
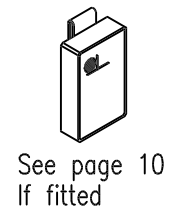
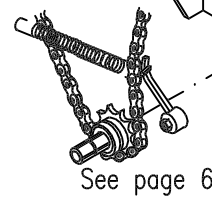
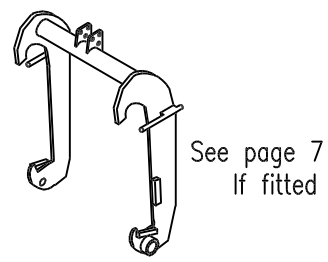
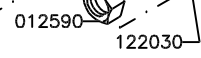
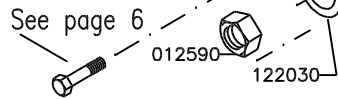
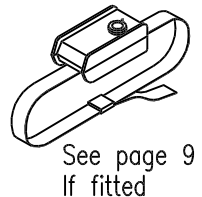
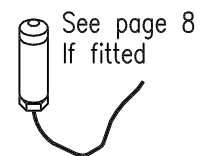
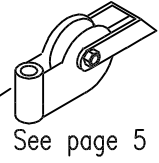
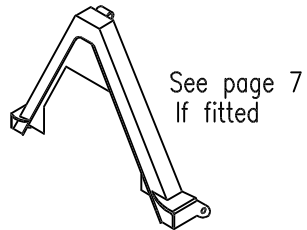
IGLAND 2601:  
Serial No.: 300 →

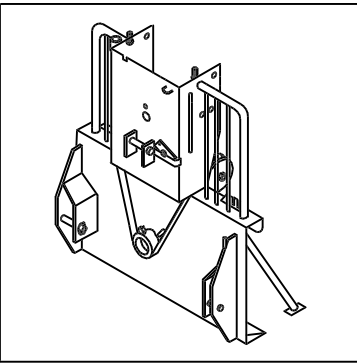
IGLAND 3001:  
Serial No.: 001 →



See page 5

See page 6



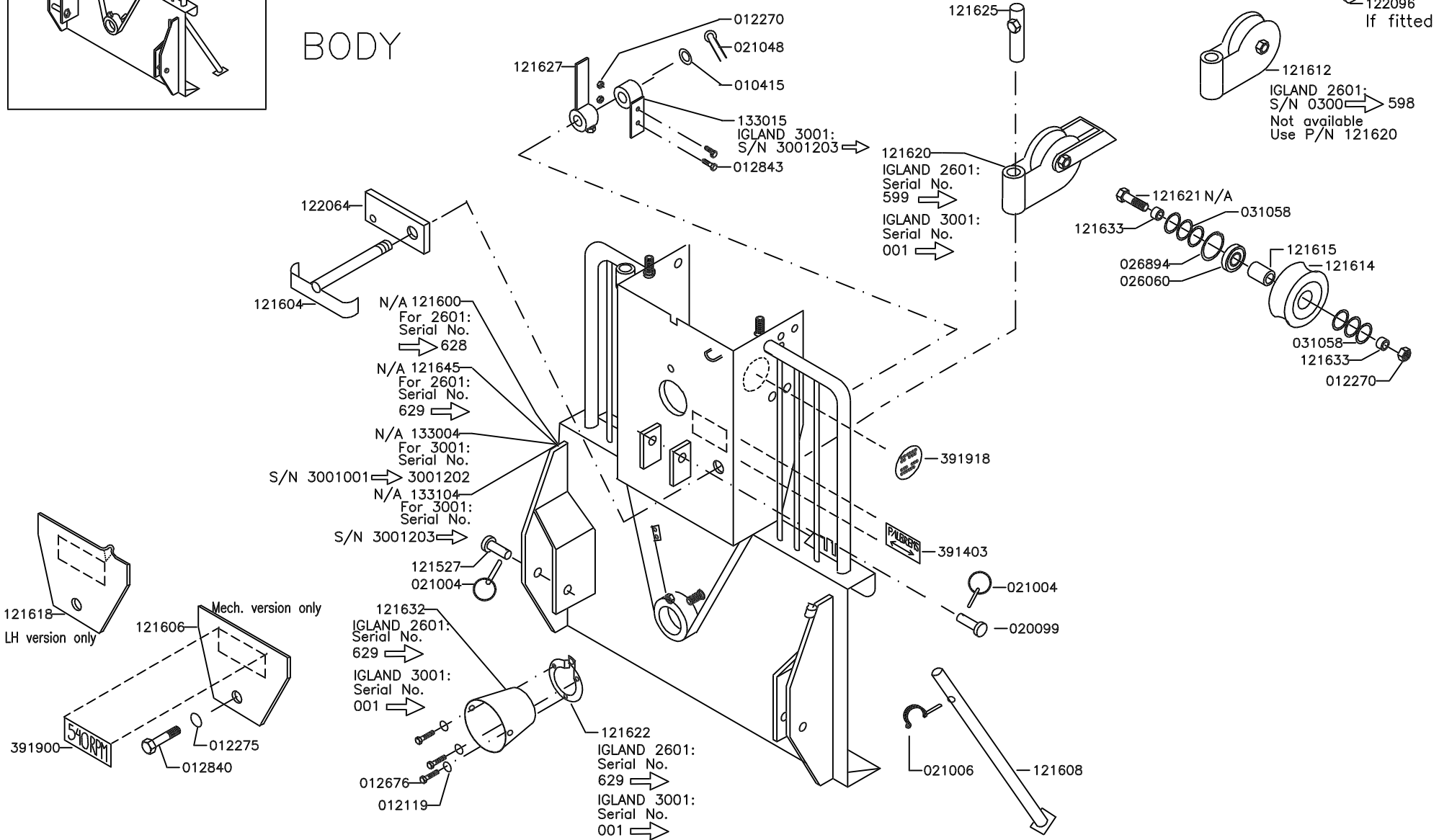


# IGLAND 2601, IGLAND 3001

IGLAND 2601:  
Serial No.: 300 →

IGLAND 3001:  
Serial No.: 001 →

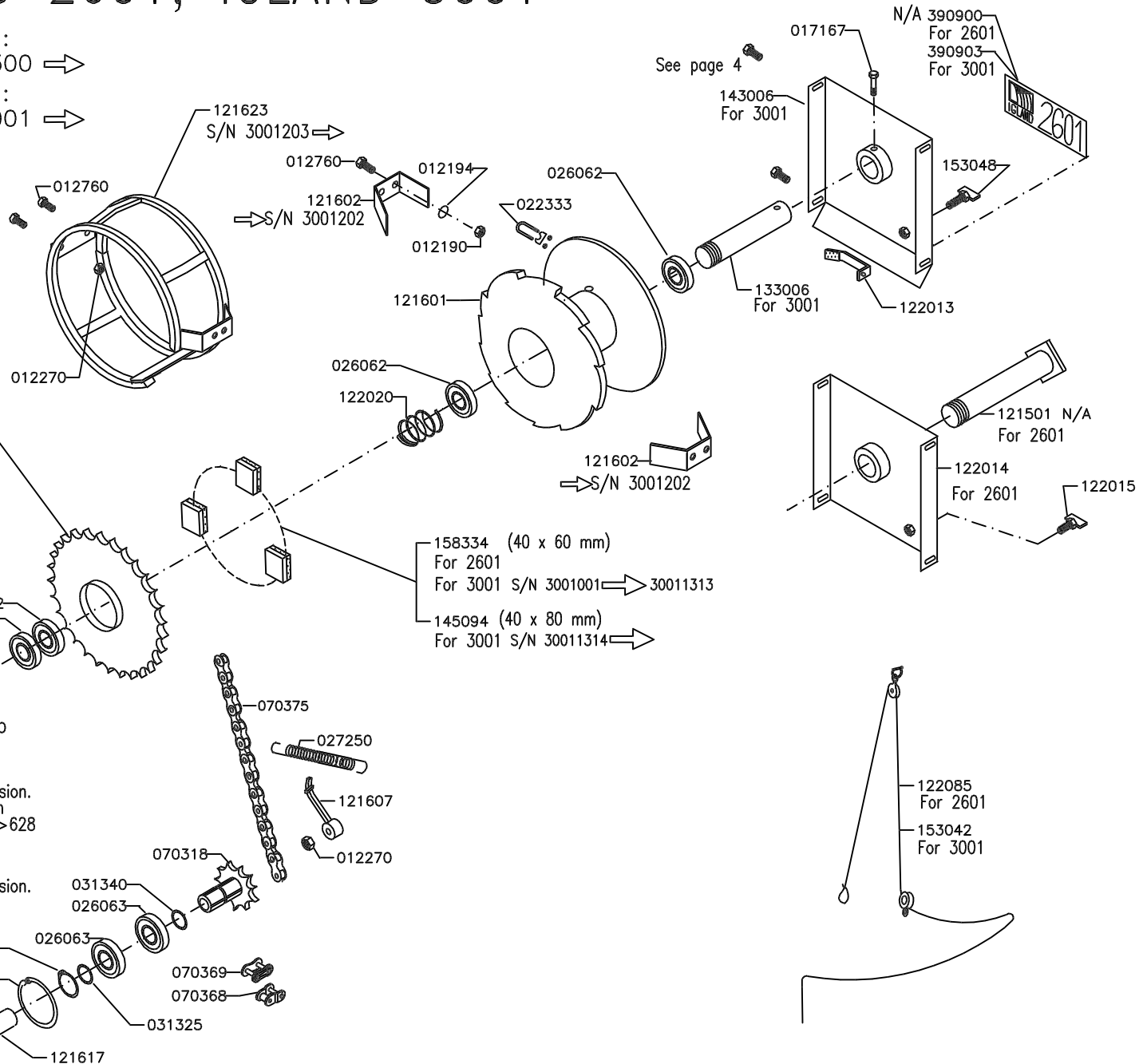
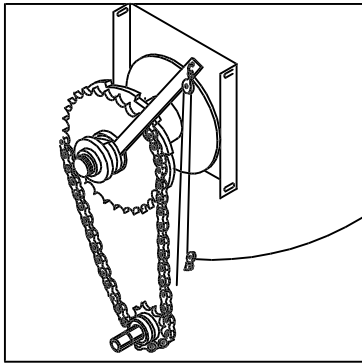
## BODY



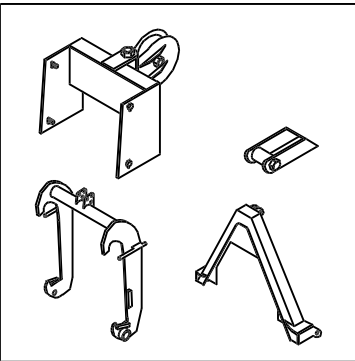
# IGLAND 2601, IGLAND 3001

IGLAND 2601:  
Serial No.: 300 →  
IGLAND 3001:  
Serial No.: 001 →

## DRUM



See page 4



# IGLAND 2601, IGLAND 3001

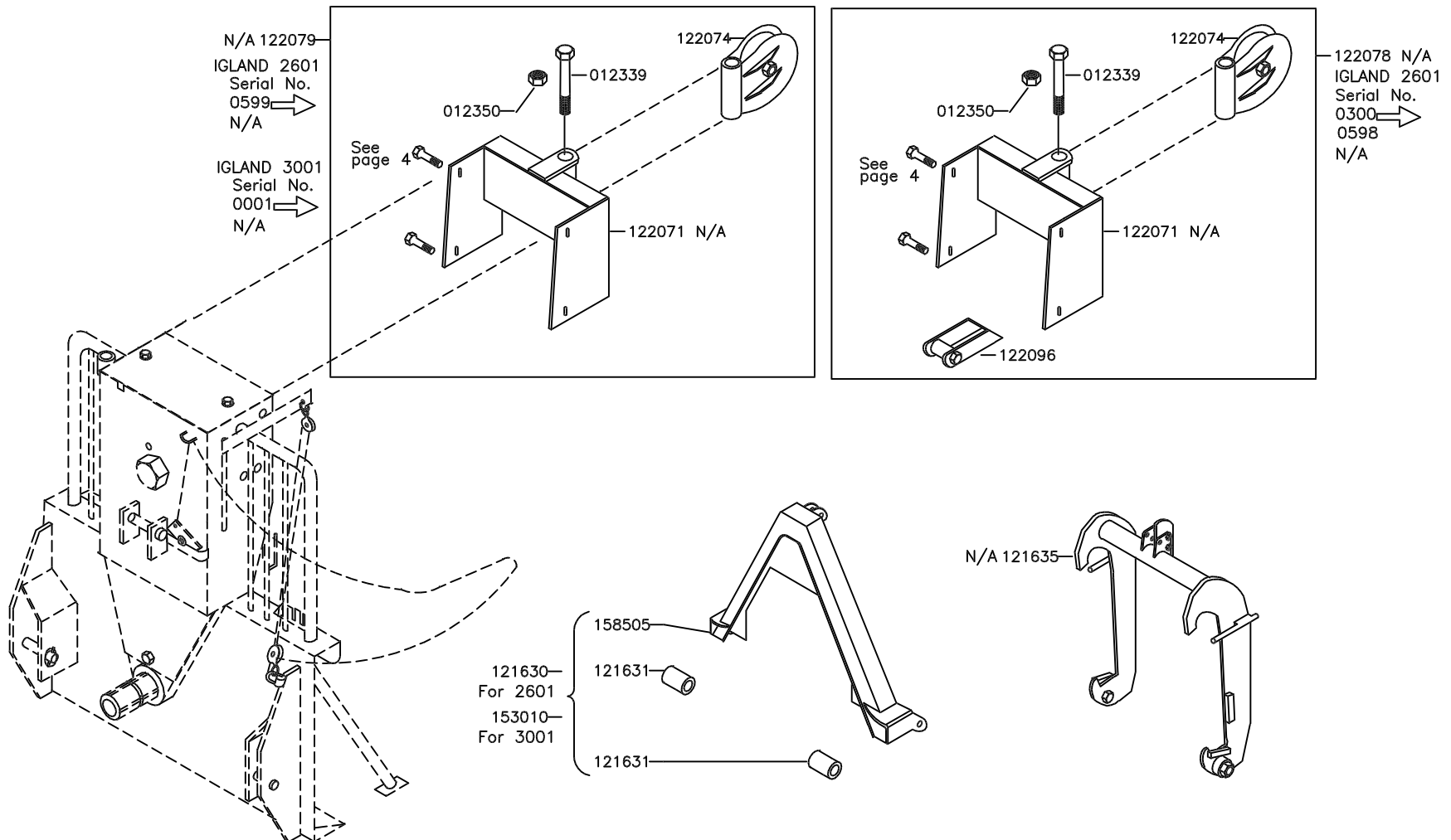
IGLAND 2601: 300 ⇒ , IGLAND 3001: 001 ⇒

TOP BLOCK: 122079 N/A If fitted

TOP BLOCK C/W SLIDER GUARD: 122078 N/A If fitted

TRIANGEL SNAP LINK: 121630 (2601), 153010 (3001)

"HMV" SNAP LINK: 121635 N/A If fitted





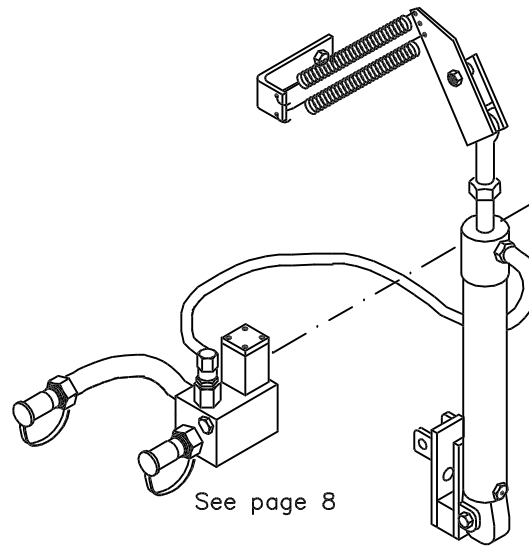
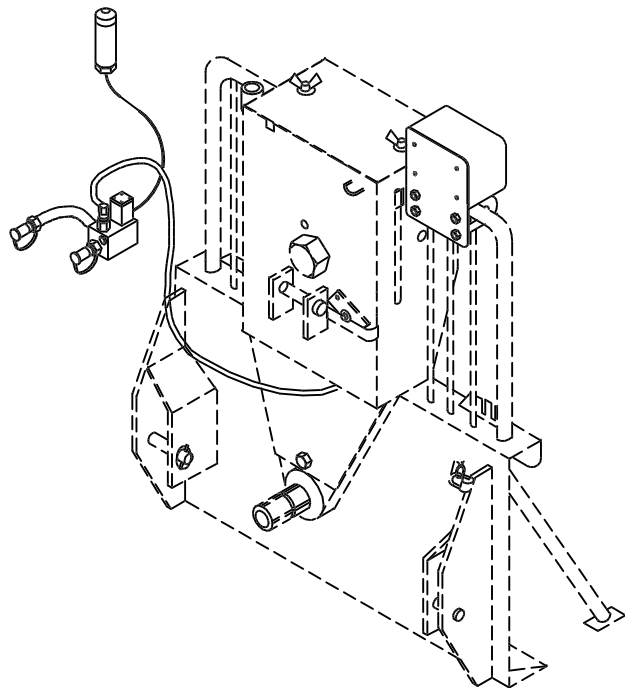
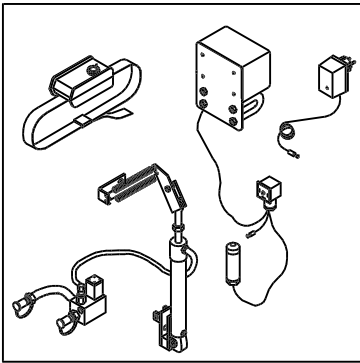
# IGLAND 2601

IGLAND 2601: Serial No.: 300 →

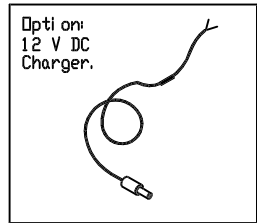
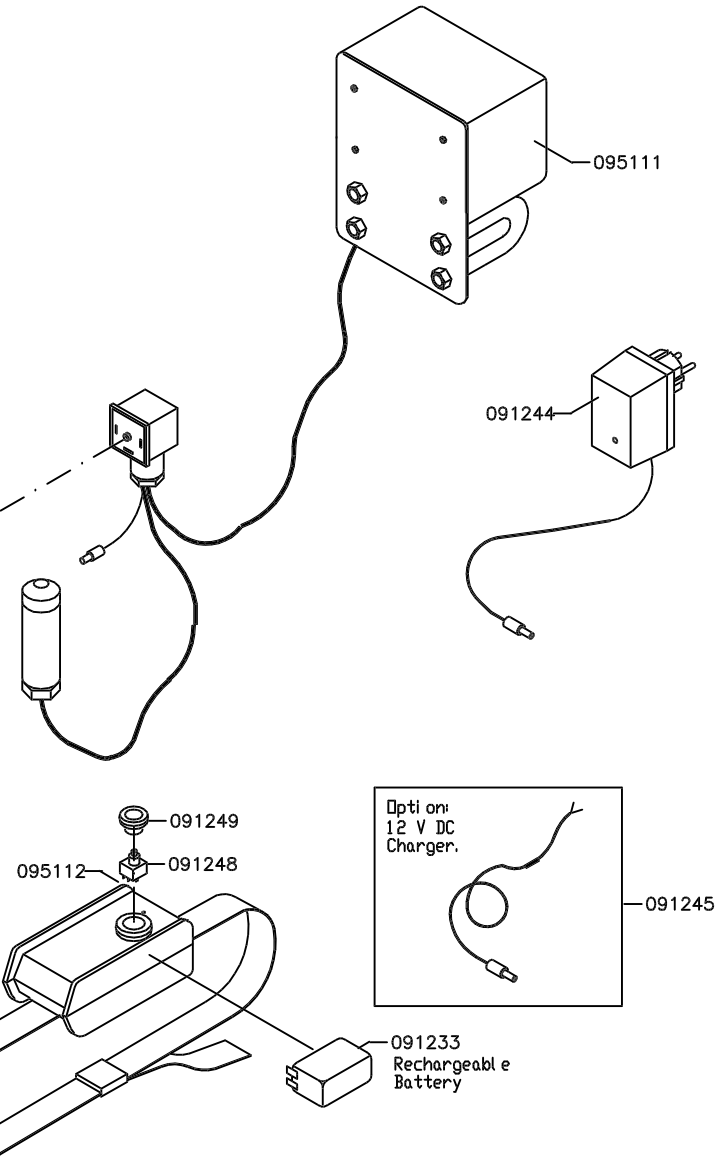
## INFRARED REMOTE CONTROL KIT: 095400 N/A

(Transmitter, Receiver, Hydraulics and  
Charger Unit)

EARLY VERSION  
If fitted.



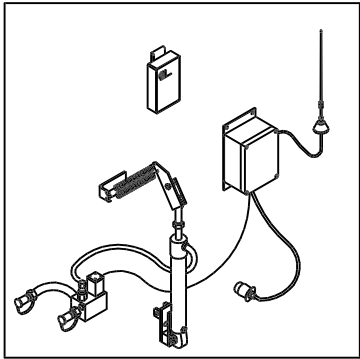
See page 8



Option:  
12 V DC  
Charger.

091245

091233  
Rechargeable  
Battery



# IGLAND 2601, IGLAND 3001

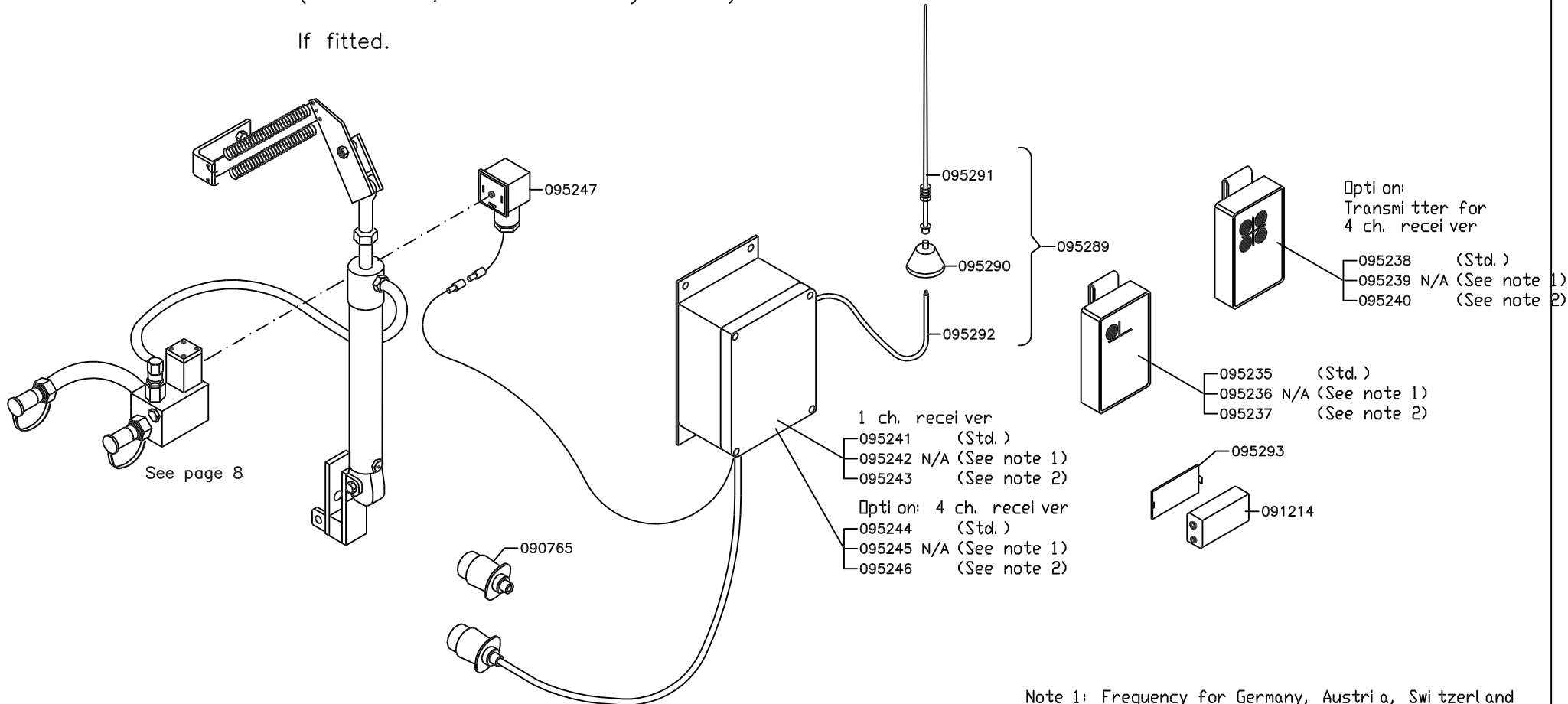
IGLAND 2601: 300 ⇨ , IGLAND 3001: 001 ⇨

## RADIO REMOTE CONTROL KIT: 095230

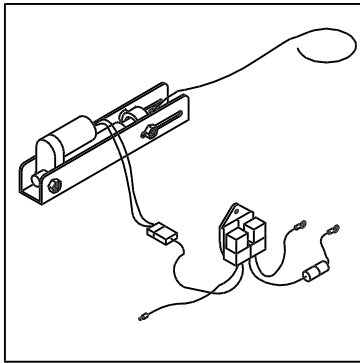
- Additional price for 4 ch. transmitter/receiver – 095231
- Add. price for frequency for Germany, Austria, Switzerland – 091162 N/A
- Add. price for frequency for Great Britain – 091163

(Transmitter, Receiver and Hydraulics)

If fitted.



Note 1: Frequency for Germany, Austria, Switzerland  
 Note 2: Frequency for Great Britain



# IGLAND 2601, IGLAND 3001

IGLAND 2601: 300 ⇒ , IGLAND 3001: 001 ⇒

RPM ACTUATOR, compl.: 091440

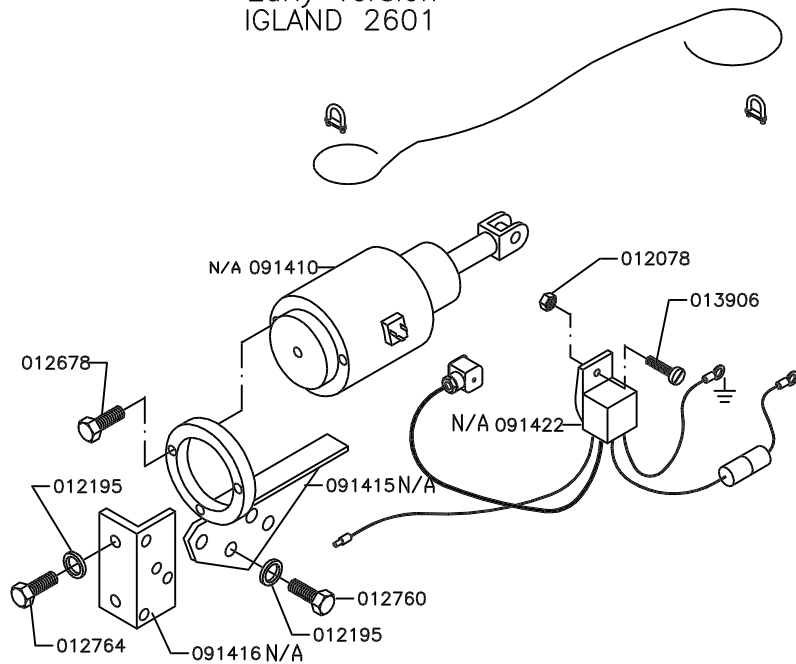
On/off function

RPM ACTUATOR, compl.: 091441

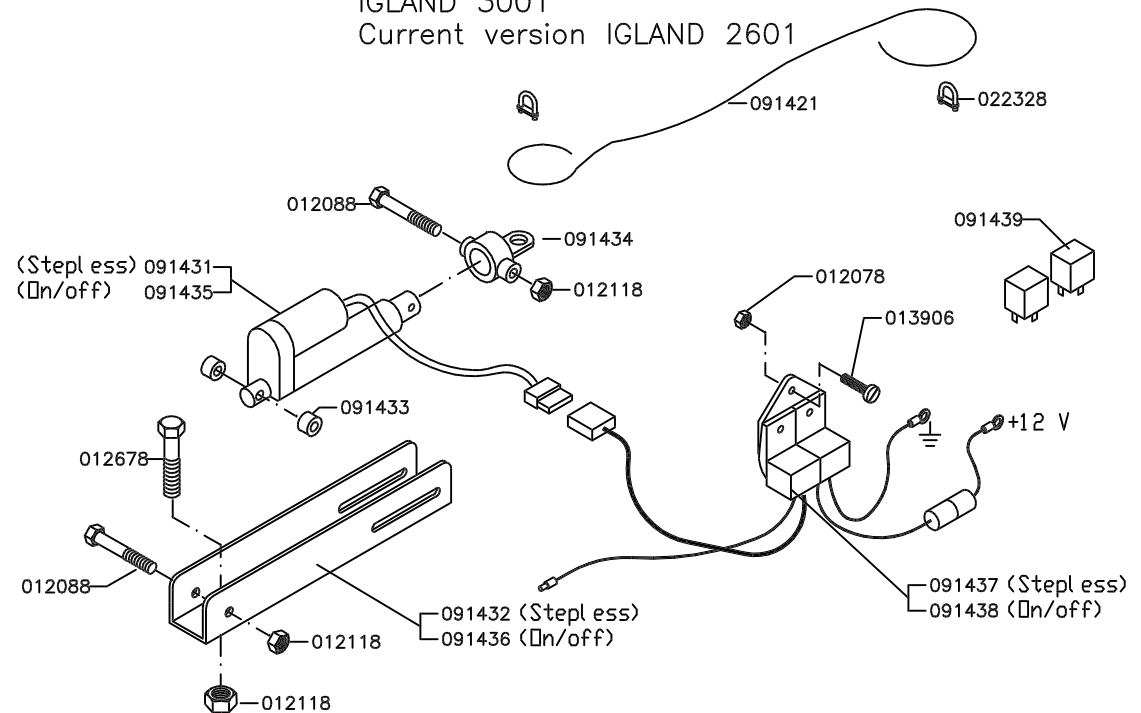
Stepless function.

If fitted.

Early version  
IGLAND 2601



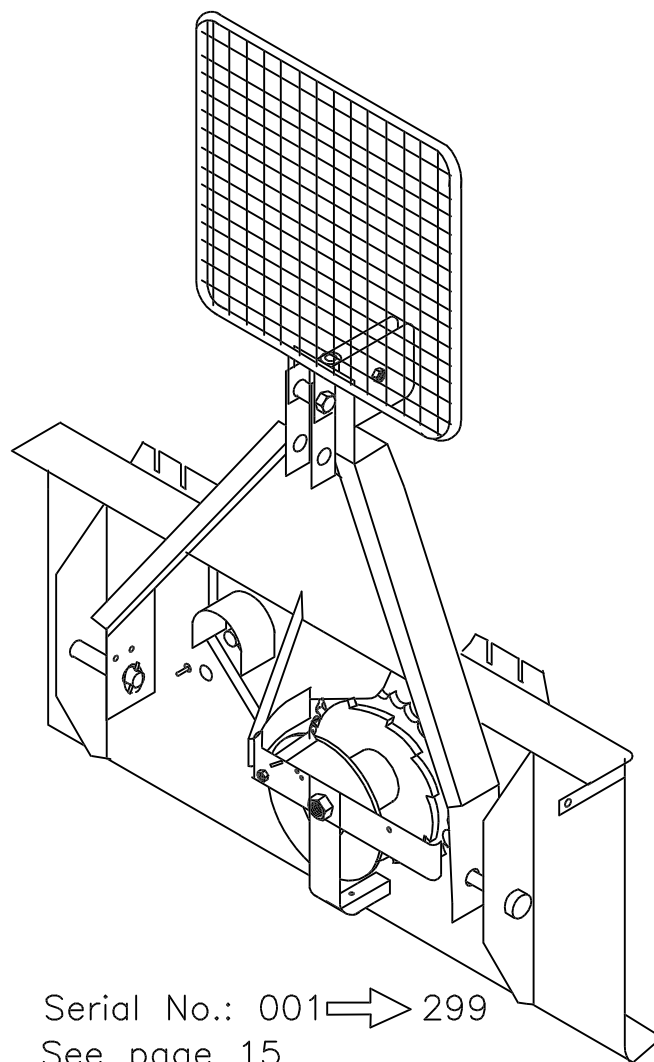
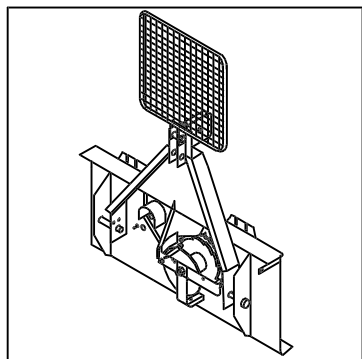
IGLAND 3001  
Current version IGLAND 2601



(Intentionally blank)

# IGLAND 2601

Serial No.: 001 → 299



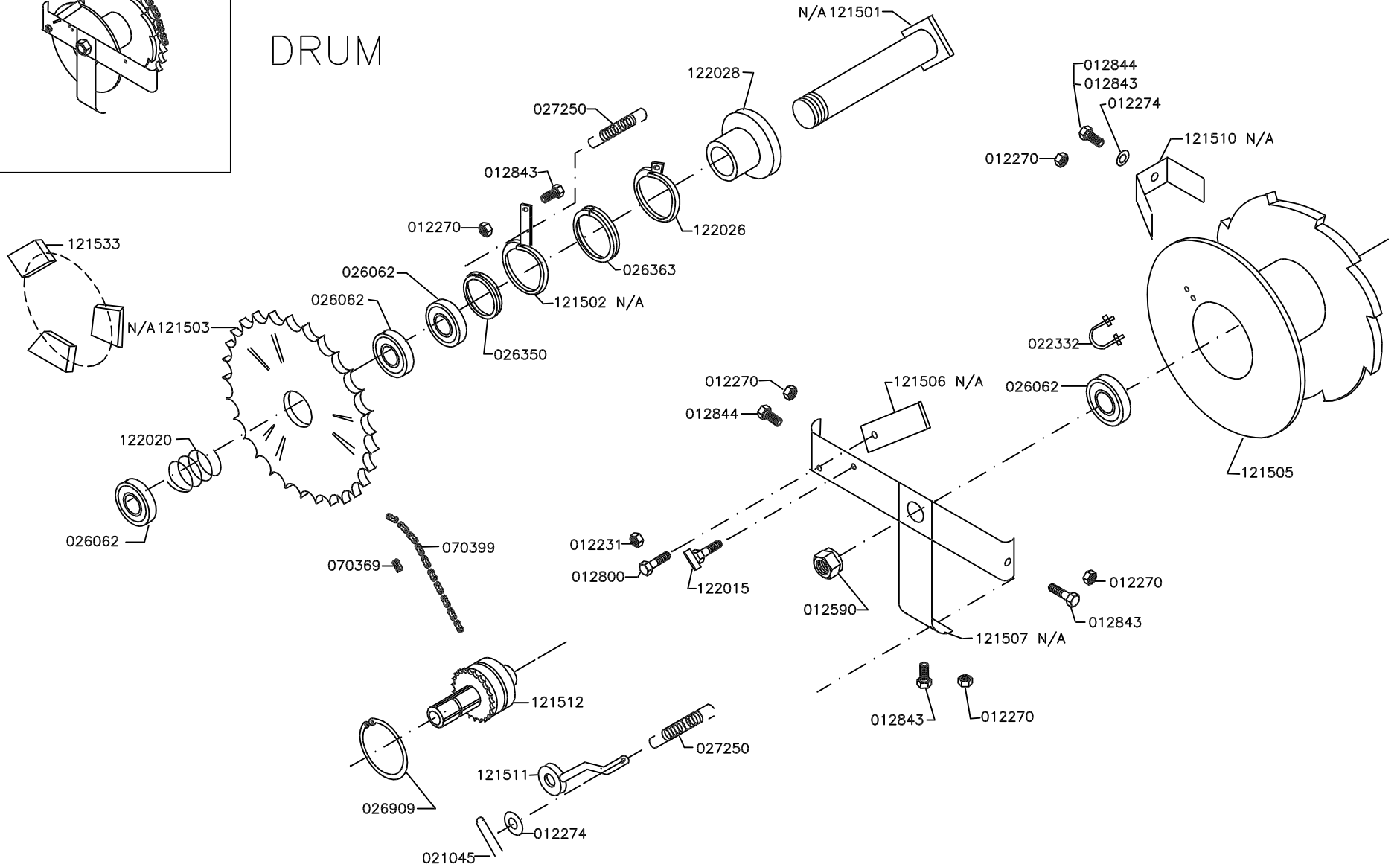
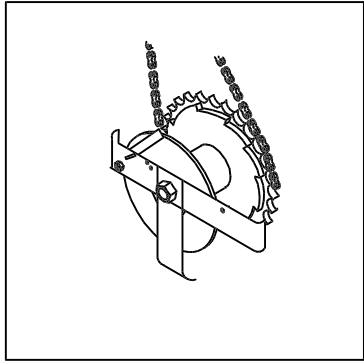
Serial No.: 001 → 299

See page 15

# IGLAND 2601

Serial No.: 001 → 299

## DRUM



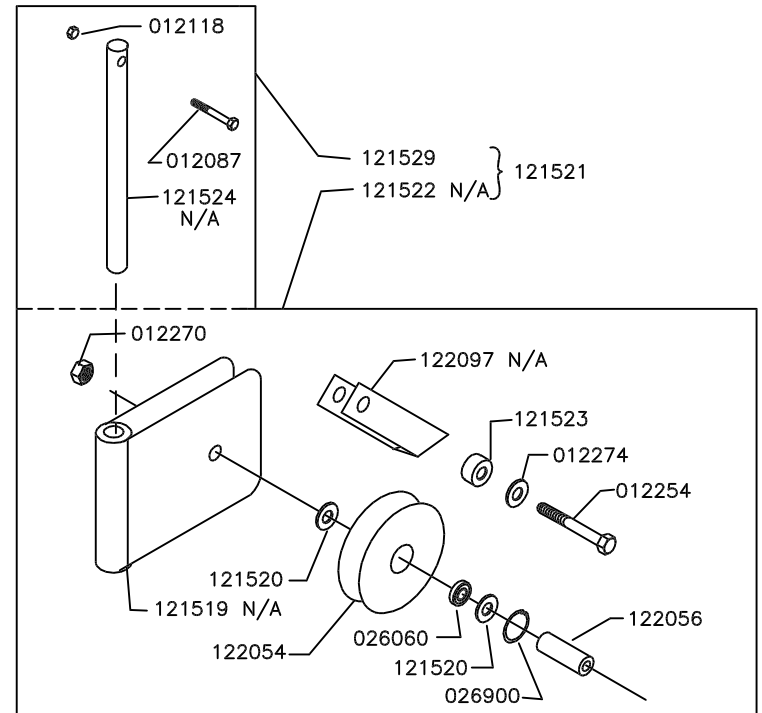
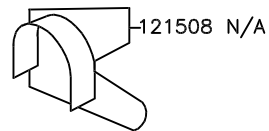
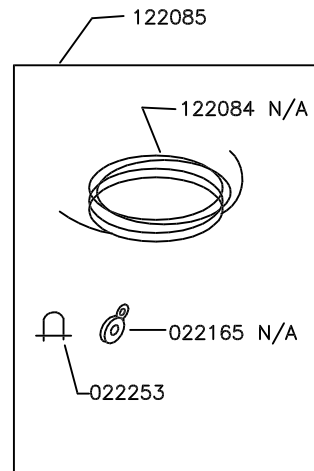
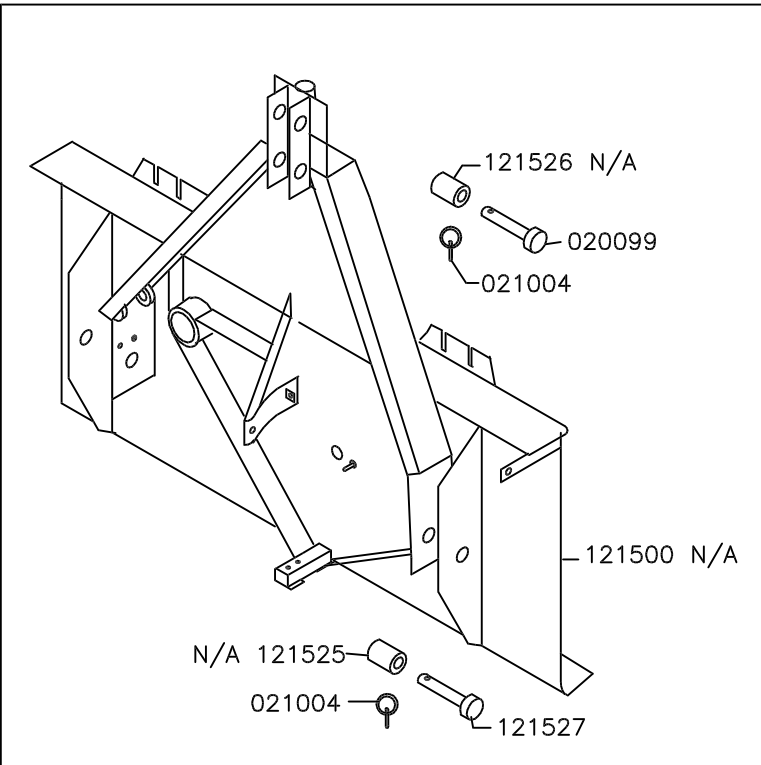
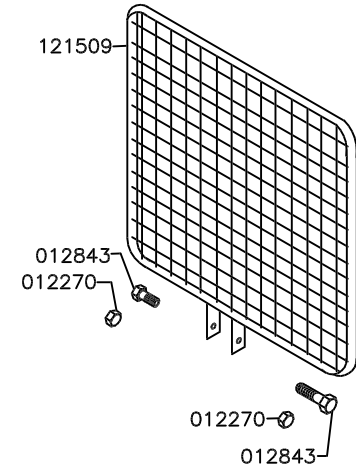
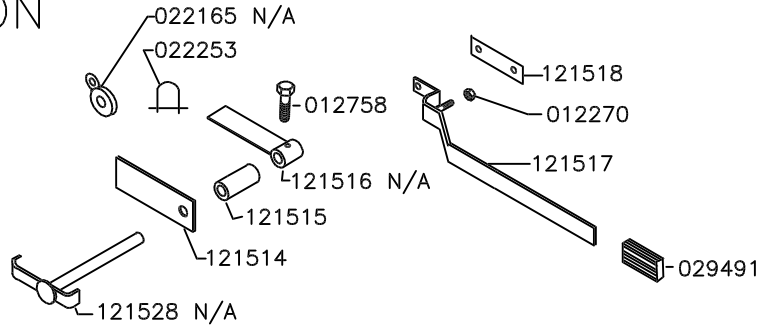
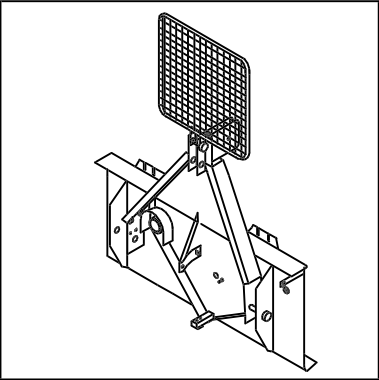
# IGLAND 2601

Serial No.: 001 → 299

BODY

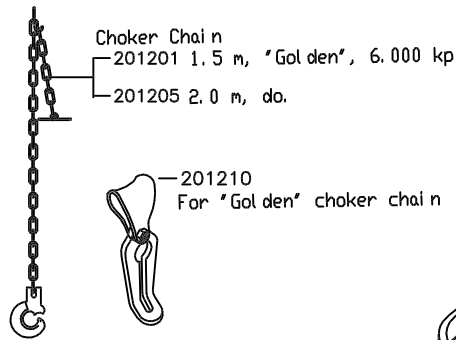
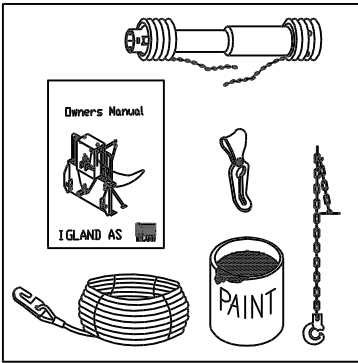
PROTECTION  
SCREEN

BLOCK

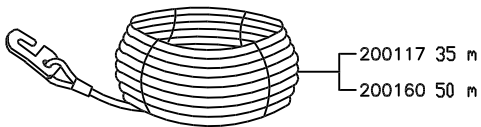


# IGLAND 2601, IGLAND 3001

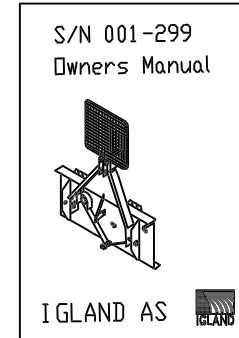
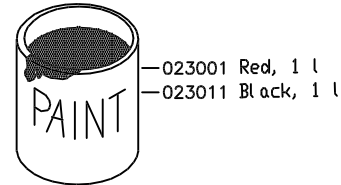
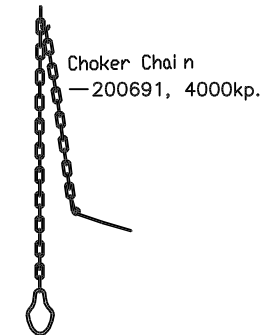
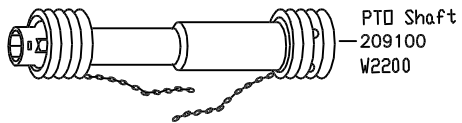
## Miscellaneous



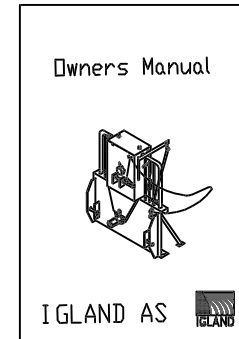
WIRE ROPE, 6x26WS+IWRC 180 kp, 8 mm



WIRE ROPE, according to ISO 4254-4



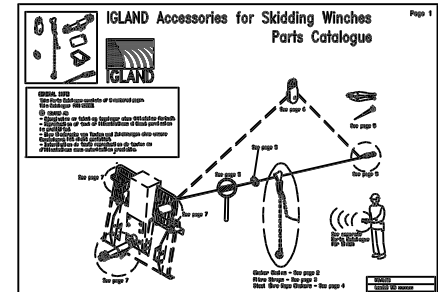
Owners Manual  
 —390010



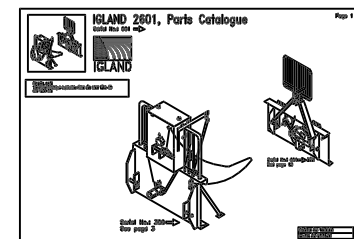
Owners Manual  
 —390051  
 For 3001

Owners Manual  
 —390001  
 For 2601

Parts Catalogue  
 Accessories for Skidding Winches



—390601



Parts Catalogue  
 —390004